

**HYBRID - HIGH RELIABILITY
RADIATION HARDENED
DC/DC CONVERTER**

ART28XXT SERIES

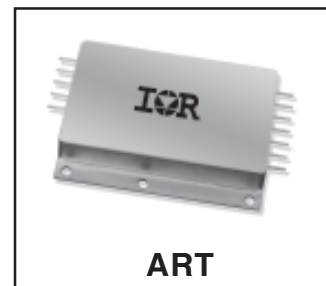
28V Input, Triple Output

Description

The ART Series of three output DC/DC converters are designed specifically for use in the hostile radiation environments characteristic of space and weapon systems. The extremely high level of radiation tolerance inherent in the ART design is the culmination of extensive research, thorough analysis and testing and of careful component specification. Many of the best circuit design features characterizing the International Rectifier standard product line were adapted for incorporation into the ART topology. Capable of uniformly high performance over long term exposures in radiation intense environments, this series sets the standard for distributed power systems demanding high performance and reliability.

The ART converters are hermetically sealed in a rugged, low profile package utilizing copper core pins to minimize resistive DC losses. Long-term hermeticity is assured through use of parallel seam welded lid attachment along with International Rectifier's rugged ceramic pin-to-package seal. Axial orientation of the leads facilitates preferred bulkhead mounting to the principal heat-dissipating surface.

Manufactured in a facility fully qualified to MIL-PRF-38534, class K, these converters are fabricated utilizing DSCC qualified processes and are fully compliant to Class K. The complete suite of PI tests has been completed including Group C life test. Variations in electrical, mechanical and screening specifications can be accommodated. Contact IR Santa Clara for special requirements.



Features

- Total Dose > 100 krad (Si), 2:1 margin
- No SEE to LET > 83 Mev.cm²/mg
- Derated per MIL-STD-975 & MIL-STD-1547
- Output Power Range 3 to 30 Watts
- 19 to 50 Volt Input Range
- Input Undervoltage Lockout
- High Electrical Efficiency > 83%
- Full Performance from -55°C to +125°C
- Continuous Short Circuit and Overload Protection
- 12.8 W/in³ Output Power Density
- True Hermetic Package
- External Inhibit Port
- Externally Synchronizable
- Fault Tolerant Design
- 5V, ±12V or ±15 V Outputs Available

SPECIFICATIONS

Absolute Maximum/Minimum Ratings Note 1 Recommended Operating Conditions Note 2

Input Voltage	-0.5V to 80V	Input Voltage Range	19V to 60V
Minimum Output Current	5% maximum rated current, any output		19V to 50V for full derating to MIL-STD-975
Soldering Temperature	300°C for 10 seconds	Output Power Range	3W to 30 W
Storage Temperature	-65°C to +135°C	Operating Temperature	-55°C to +125°C -55°C to +85°C for full derating to MIL-STD-975

Electrical Performance $-55^{\circ}\text{C} \leq T_{\text{CASE}} \leq +125^{\circ}\text{C}$, $V_{\text{IN}}=28\text{V}$, $C_{\text{L}}=0$ unless otherwise specified.

Parameter	Symbol	Conditions	Min	Max	Units
Output voltage accuracy	V_{OUT}	$I_{\text{OUT}} = 1.5\text{A dc}$, $T_{\text{C}} = +25^{\circ}\text{C}$ (main) $I_{\text{OUT}} = \pm 250\text{mA dc}$, $T_{\text{C}} = +25^{\circ}\text{C}$ ART2812(dual) $I_{\text{OUT}} = \pm 250\text{mA dc}$, $T_{\text{C}} = +25^{\circ}\text{C}$ ART2815(dual)	4.95 ± 11.50 ± 14.50	5.05 ± 12.50 ± 15.15	Vdc
Output power Note 5	P_{OUT}	$19\text{ Vdc} < V_{\text{IN}} < 50\text{Vdc}$	3.0	30	W
Output current Note 5	I_{OUT}	$19\text{ Vdc} < V_{\text{IN}} < 50\text{Vdc}$ (main) (dual)	150 75	3000 750	mAdc
Line regulation Note 3	VR_{LINE}	$150\text{ mA dc} < I_{\text{OUT}} < 3000\text{ mA dc}$ (main) $19\text{ Vdc} < V_{\text{IN}} < 50\text{Vdc}$ $\pm 75\text{ mA dc} < I_{\text{OUT}} < \pm 750\text{ mA dc}$ (dual)	-15 -60	+15 +60	mV
Load regulation Note 4	VR_{LOAD}	$150\text{ mA dc} < I_{\text{OUT}} < 3000\text{ mA dc}$ (main) $19\text{ Vdc} < V_{\text{IN}} < 50\text{Vdc}$ $\pm 75\text{ mA dc} < I_{\text{OUT}} < \pm 750\text{ mA dc}$ (dual)	-180 -300	+180 +300	mV
Cross regulation Note 8	VR_{CROSS}	(main) $19\text{ Vdc} < V_{\text{IN}} < 50\text{Vdc}$ (dual)	-10 -500	+10 +500	mV
Total regulation	VR	All conditions of Line, Load, Cross Regulation, Aging, Temperature and Radiation (main) ART2812(dual) ART2815(dual)	4.8 ± 11.1 ± 13.9	5.2 ± 12.9 ± 16.0	V
Input current	I_{IN}	$I_{\text{OUT}} = \text{minimum rated}$, Pin 3 open Pin 3 shorted to pin 2 (disabled)		250 8.0	mA
Output ripple voltage Note 6	VR_{RIP}	$19\text{ Vdc} < V_{\text{IN}} < 50\text{Vdc}$ $I_{\text{OUT}} = 3000\text{ mA dc}$ (main), $\pm 500\text{ mA dc}$ (dual)		70	$\text{mV}_{\text{p,p}}$
Input ripple current Note 6	IR_{RIP}	$19\text{ Vdc} < V_{\text{IN}} < 50\text{Vdc}$ $I_{\text{OUT}} = 3000\text{ mA dc}$ (main), $\pm 500\text{ mA dc}$ (dual)		100	$\text{mA}_{\text{p,p}}$
Switching frequency	F_{S}	Synchronization input open. (pin 6)	225	275	kHz
Efficiency	Eff	$I_{\text{OUT}} = 3000\text{ mA dc}$ (main), $\pm 500\text{ mA dc}$ (dual)	83		%

For Notes to SPECIFICATIONS, refer to page 3

Electrical Performance (Continued)

Parameter	Symbol	Conditions	MIN	MAX	Units
Enable Input open circuit voltage drive current (sink) voltage range			3.0 0.1 -0.5	5.0 50.0	V mA V
Synchronization Input frequency range pulse high level pulse low level pulse rise time pulse duty cycle		External clock signal on Sync. input (pin 4)	225 4.5 -0.5 40 20	310 10.0 0.25 80	Khz V V V/ μ S %
Synchronization Output pulse high level pulse low level		Signal compatible with synchronization input	3.7 0.0	4.3 0.25	V
Power dissipation, load fault	P _D	Short circuit, any output		16	W
Output response to step load changes <i>Notes 7, 11</i>	V _{TLD}	10% Load to/from 50% load 50% Load to/from 100% load	-200 -200	200 200	mV _{PK}
Recovery time from step load changes <i>Notes 11, 12</i>	T _{TLD}	10% Load to/from 50% load 50% Load to/from 100% load		200 200	μ S
Output response to step line changes <i>Notes 10, 11</i>	V _{TLN}	I _{OUT} = 3000 mAdc (main) V _{IN} = 19 V to/from 50 V I _{OUT} = \pm 500 mAdc (dual)	-350 -1050	350 1050	mV _{PK}
Recovery time from step line changes <i>Notes 10, 11, 13</i>	T _{TLN}	I _{OUT} = 3000 mAdc (main) V _{IN} = 19 V to/from 50 V I _{OUT} = \pm 500 mAdc (dual)		500 500	μ S
Turn on overshoot	V _{OS}	I _{OUT} = minimum and full rated (main) (dual)		100 500	mV
Turn on delay <i>Note 14</i>	T _{DLY}	I _{OUT} = minimum and full rated	5.0	20	mS
Capacitive load <i>Notes 9, 10</i>	CL	No effect on DC performance (main) (dual)		500 100	μ F
Isolation	ISO	500VDC Input to Output or any pin to case (except pin 12)	100		M Ω

Notes to SPECIFICATIONS

1. Operation outside absolute maximum/minimum limits may cause permanent damage to the device. Extended operation at the limits may permanently degrade performance and affect reliability.
2. Device performance specified in Electrical Performance table is guaranteed when operated within recommended limits. Operation outside recommended limits is not specified.
3. Parameter measured from 28V to 19 V or to 50V while loads remain fixed.
4. Parameter measured from nominal to minimum or maximum load conditions while line remains fixed.
5. Up to 750 mA is available from the dual outputs provided the total output power does not exceed 30W.
6. Guaranteed for a bandwidth of DC to 20MHz. Tested using a 20KHz to 2MHz bandwidth.
7. Load current is stepped for output under test while other outputs are fixed at half rated load.
8. Load current is fixed for output under test while other output loads are varied for any combination of minimum to maximum.
9. A capacitive load of any value from 0 to the specified maximum is permitted without compromise to DC performance. A capacitive load in excess of the maximum limit may interfere with the proper operation of the converter's short circuit protection, causing erratic behavior during turn on.
10. Parameter is tested as part of design characterization or after design or process changes. Thereafter, parameters shall be guaranteed to the limits specified in the table.
11. Load transient rate of change, di/dt \leq 2 A/ μ Sec.
12. Recovery time is measured from the initiation of the transient to where V_{OUT} has returned to within \pm 1% of its steady state value.
13. Line transient rate of change, dv/dt \leq 50 V/ μ Sec.
14. Turn on delay time is for either a step application of input power or a logical low to high transition on the enable pin (pin 3) while power is present at the input.

ART28XXT Series

Group A Tests $V_{IN} = 28\text{Volts}$, $C_L = 0$ unless otherwise specified.

Test	Symbol	Conditions unless otherwise specified	Group A Subgroups	MIN	MAX	Units
Output voltage accuracy	V_{OUT}	$I_{OUT} = 1.5 \text{ A dc}$ (main)	1, 2, 3	4.95	5.05	V
		$I_{OUT} = \pm 250 \text{ mA dc}$ ART2812(dual)	1, 2, 3	± 11.70	± 12.30	
		$I_{OUT} = \pm 250 \text{ mA dc}$ ART2815(dual)	1, 2, 3	± 14.50	± 15.15	
Output power <i>Note 1</i>	P_{OUT}	$V_{IN} = 19 \text{ V}, 28 \text{ V}, 50 \text{ V}$	1, 2, 3	3.0	30	W
Output current <i>Note 1</i>	I_{OUT}	(main)	1, 2, 3	150	3000	mA
		(dual)	1, 2, 3	75	500	
Output regulation <i>Note 4</i>	VR	$I_{OUT} = 150, 1500, 3000 \text{ mA dc}$ (main)	1, 2, 3	4.8	5.2	V
		$V_{IN} = 19 \text{ V}, 28 \text{ V}, 50 \text{ V}$	1, 2, 3	± 11.1	± 12.9	
		$I_{OUT} = \pm 75, \pm 310, \pm 625 \text{ mA dc}$ 2812(dual)	1, 2, 3	± 14.0	± 15.8	
Input current	I_{IN}	$I_{OUT} = \text{minimum rated, Pin 3 open}$	1, 2, 3		250	mA
		Pin 3 shorted to pin 2 (disabled)	1, 2, 3		8.0	
Output ripple <i>Note 2</i>	V_{RIP}	$V_{IN} = 19 \text{ V}, 28 \text{ V}, 50 \text{ V}$ $I_{OUT} = 3000 \text{ mA main}, \pm 500 \text{ mA dual}$	1, 2, 3		70	mV _{P-P}
Input ripple <i>Note 2</i>	I_{RIP}	$V_{IN} = 19 \text{ V}, 28 \text{ V}, 50 \text{ V}$ $I_{OUT} = 3000 \text{ mA main}, \pm 500 \text{ mA dual}$	1, 2, 3		100	mA _{P-P}
Switching frequency	F_S	Synchronization pin (pin 6) open	4, 5, 6	225	275	KHz
Efficiency	Eff	$I_{OUT} = 3000 \text{ mA main}, \pm 500 \text{ mA dual}$	1 2, 3	83 81		%
Power dissipation, load fault	P_D	Short circuit, any output	1, 2, 3		16	W
Output response to step load changes <i>Notes 3, 5</i>	V_{TL}	10% Load to/from 50% load	4, 5, 6	-200	200	mV _{PK}
		50% Load to/from 100% load	4, 5, 6	-200	200	
Recovery time from step load changes <i>Notes 5, 6</i>	T_{TL}	10% Load to/from 50% load	4, 5, 6		200	μS
		50% Load to/from 100% load	4, 5, 6		200	
Turn on overshoot	V_{OS}	(main)	4, 5, 6		100	mV
		$I_{OUT} = \text{minimum and full rated}$ (dual)	4, 5, 6		500	
Turn on delay <i>Note 7</i>	T_{DLY}	$I_{OUT} = \text{minimum and full rated}$	4, 5, 6	5.0	20	mS
Isolation	ISO	500VDC Input to output or any pin to case (except pin 12)	1	100		M Ω

Notes to Group A Test Table

- Parameter verified during dynamic load regulation tests.
- Guaranteed for DC to 20 MHz bandwidth. Test conducted using a 20KHz to 2MHz bandwidth.
- Load current is stepped for output under test while other outputs are fixed at half rated load.
- Each output is measured for all combinations of line and load. Only the minimum and maximum readings for each output are recorded.
- Load step transition time $\geq 10\mu\text{S}$.
- Recovery time is measured from the initiation of the transient to where V_{OUT} has returned to within $\pm 1\%$ of its steady state value.
- Turn on delay time is tested by application of a logical low to high transition on the enable pin (pin 3) with power present at the input.
- Subgroups 1 and 4 are performed at $+25^\circ\text{C}$, subgroups 2 and 5 at -55°C and subgroups 3 and 6 at $+125^\circ\text{C}$.

Radiation Performance

The radiation tolerance characteristics inherent in the ART28XXT converter are the direct result of a carefully planned ground-up design program with specific radiation design goals. After identification of the general circuit topology, a primary task of the design effort was selection of appropriate elements from the list of devices for which extensive radiation effects data was available. By imposing sufficiently large margins on those electrical parameters subject to the degrading effects of radiation, designers were able to select appropriate elements for incorporation into the circuit. Known radiation data was utilized for input to PSPICE and RadSPICE in the generation of circuit performance verification analyses. Thus, electrical performance capability under all environmental conditions including radiation was well understood before first application of power to the inputs.

A principal design goal was a converter topology that, because of large design margins, had radiation performance essentially independent of normal elemental lot radiation

performance variations. In the few instances where such margins were not assured, element lots were selected from which die were fabricated (and characterized) as radiation hard devices so that realization of the design goals could be assured.

Completion of first article fabrication, screening and standard environmental testing was followed by radiation testing to confirm design goals. All design goals were met handily and in most cases exceeded by large margin. These test samples were built with elements that, with the foregoing exceptions, were *not* screened for radiation characteristics. Additional radiation tests on subsequent ART28XXT manufacturing lots provide continued confirmation of the soundness of the design goals as well as justification for the element selection criteria.

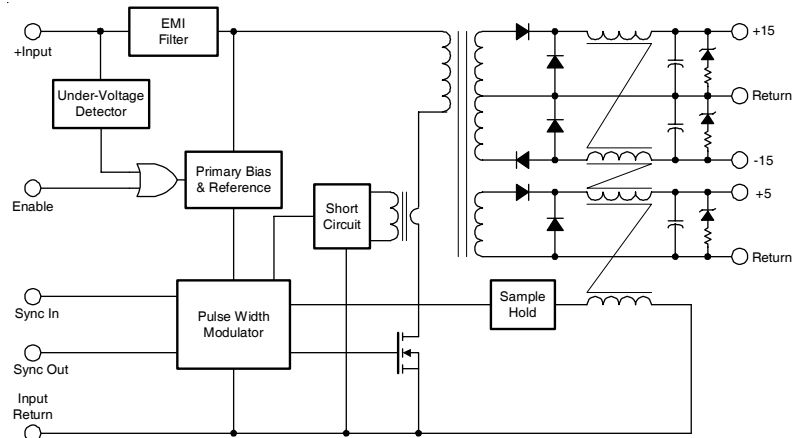
The following table specifies guaranteed minimum radiation exposure levels tolerated while maintaining specification limits.

Radiation Specification $T_{case} = 25^{\circ}C$

Test	Conditions	Min	Unit
Total Ionizing Dose (2:1 Margin)	MIL-STD-883, Method 1019.4 Operating bias applied during exposure	200	krad (Si)
Dose Rate Temporary Saturation Survival	MIL-STD-883, Method 1021	1E8 1E11	Rads (Si)/sec
Heavy Ions (Single event effects)	BNL Dual Van de Graf Generator	83	MeV• cm ² /mg

ART28XXT Circuit Description

Figure I. ART Block Diagram



Circuit Description and Application Information

The ART28XXT series of converters have been designed using a single ended forward switched mode converter topology. (refer to Figure I.) Single ended topologies enjoy some advantage in radiation hardened designs in that they eliminate the possibility of simultaneous turn on of both switching elements during a radiation induced upset; in addition, single ended topologies are not subject to transformer saturation problems often associated with double ended implementations.

The design incorporates a two-stage LC input filter to attenuate input ripple current. A low overhead linear bias regulator is used to provide bias voltage for the converter primary control logic and a stable, well regulated reference for the error amplifier. Output control is realized using a wide band discrete pulse width modulator control circuit incorporating a unique non-linear ramp generator circuit. This circuit helps stabilize loop gain over variations in line voltage for superior output transient response. Nominal conversion frequency has been selected as 250 KHz to maximize efficiency and minimize magnetic element size.

Output voltages are sensed using a coupled inductor and a patented magnetic feedback circuit. This circuit is relatively insensitive to variations in temperature, aging, radiation and manufacturing tolerances making it particularly well suited to radiation hardened designs. The control logic has been designed to use only radiation tolerant components, and all current paths are limited with series resistance to limit photo currents.

Other key circuit design features include short circuit protection, undervoltage lockout and an external synchronization port permitting operation at an externally set clock rate.

Operating Guidelines

The circuit topology used for regulating output voltages in the ART28XXT series of converters was selected for a number of reasons. Significant among these is the ability to simultaneously provide adequate regulation to three output voltages while maintaining modest circuit complexity. These attributes were fundamental in retaining the high reliability and insensitivity to radiation that characterizes device performance. Use of this topology dictates maintaining the minimum load specified in the electrical tables on each output. Operating the converter without a load on any output will result in peak charging to an output voltage well above the specified voltage regulation limits, potentially in excess of ratings, and should be avoided. Output load currents less than specification minimums will result in regulation performance that exceeds the limits presented in the tables. In most practical applications, this lower bound on the load range does not present a serious constraint; however the user should be mindful of device performance when operated outside specified limits.

Thermal Considerations

The ART series of converters is capable of providing relatively high output power from a package of modest volume. The power density exhibited by these devices is obtained by combining high circuit efficiency with effective methods of heat removal from the die junctions. Good design practices have effectively addressed this requirement inside the device. However when operating at maximum loads, significant heat generated at the die junctions must be carried away by conduction from the base. To maintain case temperature at or below the specified maximum of 125°C, this heat can be transferred by attachment to an appropriate heat dissipater held in intimate contact with the converter base-plate.

ART28XXT Series

Synchronization

Systems using multiple converters may dictate operating the group at a common switching frequency. To accommodate this requirement, the ART28XXT converters include a synchronization input (pin 4). Topology is illustrated in Figure III.

An additional feature is a synchronization output (pin 5) permitting multiple ART28XX converters in a system to be synchronized to one of the converters in the set. See Figure IV.

Figure III. Synchronization Input Equivalent Circuit

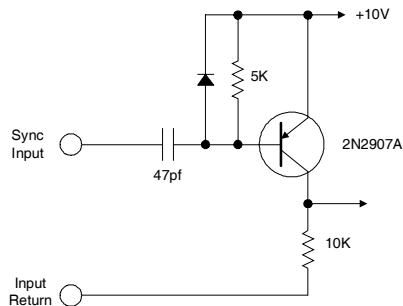
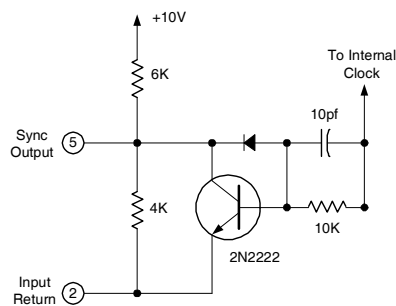


Figure IV. Synchronization Output Equivalent Circuit



The sync input port permits synchronization of an ART converter to any compatible external frequency source operating in the band of 225 to 310 KHz. The synchronization input is edge triggered with synchronization initiated on the negative transition. This input signal should be a negative going pulse referenced to the input return and have a 20% to 80% duty cycle. Compatibility requires the negative transition time to be less than 100 ns with minimum pulse amplitude of +4.25 volts referred to the input return. In the absence of an external source, the converter will revert to its own internally set frequency. If external synchronization is not desired, the sync in pin may be left open (unconnected) permitting the converter to operate at its' own internally set frequency.

Output Load Fault Protection

An additional feature is a synchronization output (pin 5) permitting multiple Protection against overload or short circuit on any output is provided in the ART28XXT converter series. This protection is implemented by sensing primary switching current and, when a load fault condition is detected, pulse width is limited by the protection circuitry. The converter is able to operate continuously with a load fault without damage or exceeding derating limits.

Parallel Operation

Although no special provision for forced current sharing has been incorporated in the ART28XXT series, multiple units may be operated in parallel for increased output power applications. The 5.0 volt outputs will typically share to within approximately 10% of their full load capability and the dual (± 15 volt) outputs will typically share to within 50% of their full load. Load sharing is a function of the individual impedance of each output and the converter with the highest nominal set voltage will furnish the predominant load current.

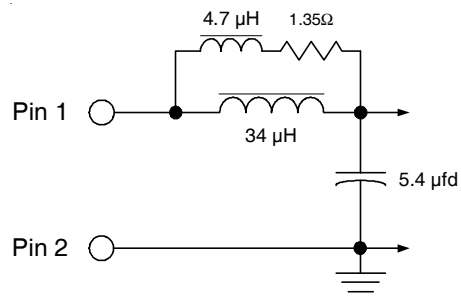
Input Undervoltage Protection

A minimum voltage is required at the input of the converter to initiate operation. This voltage is set to a nominal value of 16.8 volts. To preclude the possibility of noise or other variations at the input falsely initiating and halting converter operation, a hysteresis of approximately 1.0 volts is incorporated in this circuit. The converter is guaranteed to operate at 19 Volts input under all specified conditions.

Input Filter

To attenuate input ripple current, the ART28XXT series converters incorporate a two-stage LC input filter. The elements of this filter comprise the dominant input load impedance characteristic, and therefore determine the nature of the current inrush at turn-on. The input filter circuit elements are as shown in Figure V.

Figure V. Input Filter Circuit

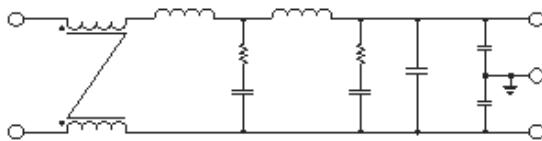


Additional Filtering

Although internal filtering is provided at both the input and output terminals of the ART28XX series, additional filtering may be desirable in some applications to accommodate more stringent system requirements.

While the internal input filter of Figure V keeps input ripple current below 100 mA_{p-p}, an external filter may be applied to further attenuate this ripple to a level below the CE03 limits imposed by MIL-STD-461B. Figure VI is a general diagram of the International Rectifier filter module designed to operate in conjunction with the ART28XX series converters to provide that attenuation.

Figure VI. External Input EMI Filter

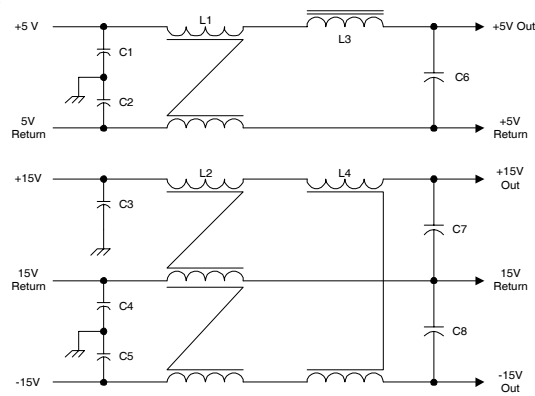


This circuit as shown in Figure VI is constructed using the same quality materials and processes as those employed in the ART28XX series converters and is intended for use in the same environments. This filter is fabricated in a complementary package style whose output pin configuration allows pin to pin connection between the filter and the converter. More complete information on this filter can be obtained from the ARF461 data sheet.

An external filter may also be added to the output where circuit requirements dictate extremely low output ripple noise. The output filter described by Figure VII has been characterized with the ART2815T using the values shown in the associated material list.

It is important to be aware that when filtering high frequency noise, parasitic circuit elements can easily dominate filter performance. Therefore, it is incumbent on the designer to exercise care when preparing a circuit layout for such devices. Wire runs and lengths should be minimized, high frequency loops should be avoided and careful attention paid to the construction details of magnetic circuit elements. Tight magnetic coupling will improve overall magnetic performance and reduce stray magnetic fields.

Figure VII. External Output Filter



- L1 7 turns AWG21 bifilar on Mag Inc. core PN YJ-41 305-TC or equivalent.
- L2 7 turns AWG24 trifilar on Mag Inc. core PN YJ-41 305-TC or equivalent.
- L3 4 turns AWG21 on Mag Inc. core PN MPP55048 or equivalent.
- L4 5 turns AWG21 bifilar on Mag Inc. core PN MPP55048 or equivalent.
- C1-C5 2200pF type CKR ceramic capacitor.
- C6 1.70µF, 1.5V M39006/22-0514 Tantalum.
- C7, C8 25µF, 50V M39006/22-0568 Tantalum.

Measurement techniques can impose a significant influence on results. All noise measurements should be measured with test leads as close to the device output pins as physically possible. Probe ground leads should be kept to a minimum length.

Performance Characteristics (Typical @ 25°C)

Figure VIII. Efficiency vs Output Power
for Three Line Voltages.

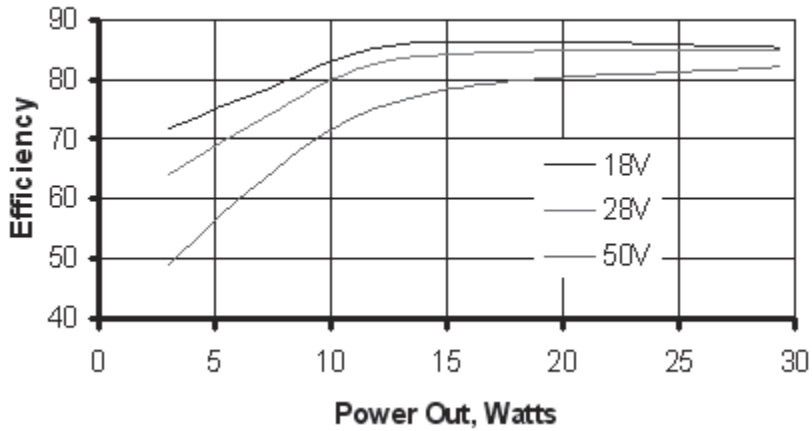
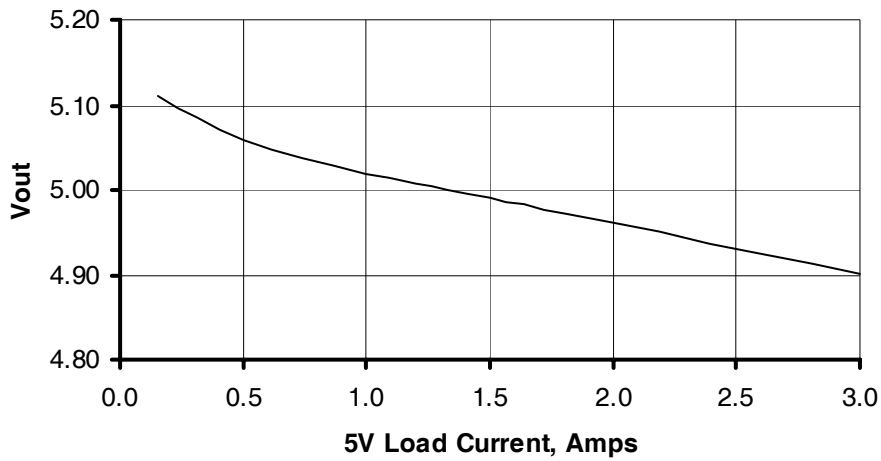


Figure IX. 5.0 V Output Regulation Limits
0.3 A load on ±15 V outputs



ART28XXT Series

International
IOR Rectifier

Standard Process Screening for ART28XXT Series

Requirement	MIL-STD-883 Method	/EM Limits	No Suffix Limits (Class K)
Temperature Range		-55°C to +125°C	-55°C to +125°C
Element Evaluation		N/A	MIL-PRF-38534
Non-destructive Bond Pull	2023	N/A	100%
Internal Visual	2017	✓	✓
Temperature Cycle	1010	✓	Cond C
Constant Acceleration	2001,	500 g	Cond A
PIND	2020	N/A	Cond A
Burn-in Interim Electrical @ 160 hrs	1015	160 hrs @ 125°C	320 hrs @ 125°C (2 × 160 hrs)
Final Electrical (Group A) Read & Record Data	MIL-PRF-38534 & Specification	-55, +25, +125°C	-55, +25, +125°C
PDA (25°C, interim to final)		N/A	2%
Radiographic Inspection	2012	N/A	✓
Seal, Fine & Gross	1014	✓	Cond A, C
External Visual	2009	✓	✓

Standard Periodic Inspections on ART28XXT Series

As prescribed by MIL-PRF-38534 for Option 2

Inspection	Application	Quantity
Group A	Part of Screening on Each Unit	100%
Group B	Each Inspection Lot	5 units
Group C	First Inspection Lot or Following Class 1 Change	10 Units
Group D	In Line (Part of Element Evaluation)	

International
IOR Rectifier

WORLD HEADQUARTERS: 233 Kansas St., El Segundo, California 90245, Tel: (310) 252-7105

IR SANTA CLARA: 2270 Martin Av., Santa Clara, California 95050, Tel: (408) 727-0500

Visit us at www.irf.com for sales contact information.

Data and specifications subject to change without notice. 08/2004