

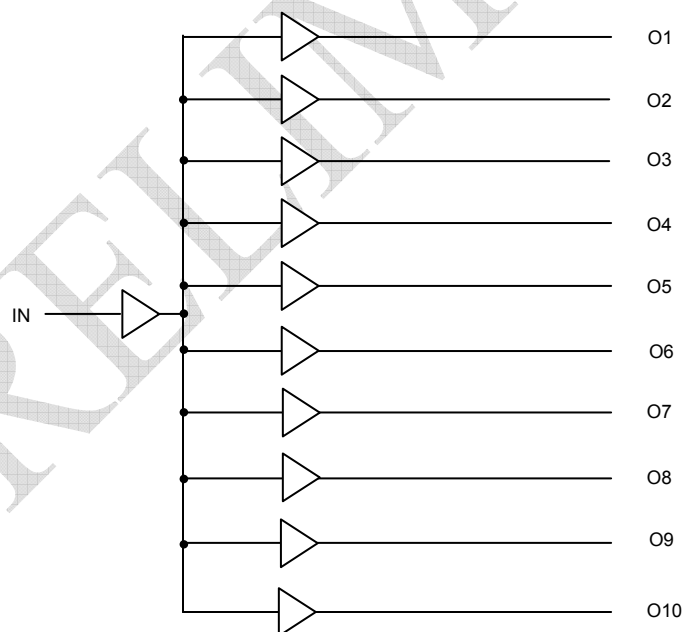


3.3V CMOS 1-TO-10 CLOCK DRIVER

Features

- 0.5 MICRON CMOS Technology
- Guaranteed low skew < 350pS (max.)
- Very low duty cycle distortion < 350pS (max.)
- High speed: propagation delay < 3nS (max.)
- Very low CMOS power levels
- TTL compatible inputs and outputs
- 1:10 fanout
- Maximum output rise and fall time < 1.5nS (max.)
- Low input capacitance: 4.5pF typical
- Operates with 3.3V \pm 0.3V Supply
- Inputs can be driven from 3.3V or 5V components
- Available in SSOP, SOIC, and QSOP Packages

Block Diagram



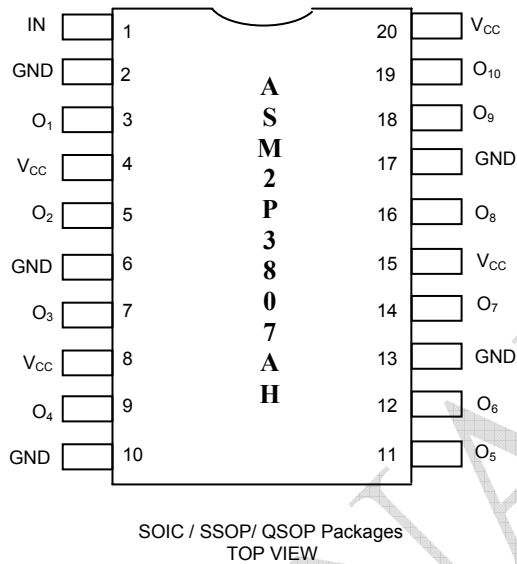
Product Description

The ASM2P3807AH 3.3V clock driver is built using advanced dual metal CMOS technology. This low skew clock driver offers 1:10 fanout. The large fanout from a single input reduces loading on the preceding driver and provides an efficient clock distribution network. The ASM2P3807AH offers low capacitance inputs with hysteresis for improved noise margins. Multiple power and grounds reduce noise. Typical applications are clock and signal distribution.



rev 0.2

Pin Configuration



Pin Description

Pin#	Pin Names	Description
1	IN	Clock Inputs
3,5,7,9,11,12,14,16,18,19	O 1-O10	Clock Outputs
2,6,10,13,17	GND	Ground
4,8,15,20	Vcc	Power

Absolute Maximum Ratings

Symbol	Description	Max	Unit
V_{TERM}^1	Terminal Voltage with Respect to GND	-0.5 to +4.6	V
V_{TERM}^2	Terminal Voltage with Respect to GND	-0.5 to +7	V
V_{TERM}^3	Terminal Voltage with Respect to GND	-0.5 to $V_{\text{CC}}+0.5$	V
T_{STG}	Storage Temperature	-65 to +150	°C
I_{OUT}	DC Output Current	-60 to +60	mA

Note: These are stress ratings only and are not implied for functional use. Exposure to absolute maximum ratings for prolonged periods of time may affect device reliability.

NOTES:

1. V_{CC} terminals.
2. Input terminals.
3. Outputs and I/O terminals.



rev 0.2

Capacitance (TA = +25°C, f = 1.0MHz)

Symbol	Parameter ¹	Conditions	Typ.	Max.	Unit
C _{IN}	Input Capacitance	V _{IN} = 0V	4.5	6	pF
C _{OUT}	Output Capacitance	V _{OUT} = 0V	5.5	8	pF

Note:1. This parameter is measured at characterization but not tested.

Power Supply Characteristics

Symbol	Parameter	Test Conditions ¹	Min	Typ ²	Max	Unit
ΔI _{CC}	Quiescent Power Supply Current TTL Inputs HIGH	V _{CC} = Max. V _{IN} = V _{CC} - 0.6V ³	-	10	30	μA
I _{CCD}	Dynamic Power Supply Current ⁴	V _{CC} = Max. Input toggling 50% Duty Cycle Outputs Open	-	0.31	0.45	mA/ MHz
I _C	Total Power Supply Current ⁶	V _{CC} = Max. Input toggling 50% Duty Cycle Outputs Open fi = 50MHz	-	15.5	22.8 ⁵	mA

NOTES:

1. For conditions shown as Max. or Min., use appropriate value specified under Electrical Characteristics for the applicable device type.

2. Typical values are at V_{CC} = 3.3V, +25°C ambient.

3. Per TTL driven input (V_{IN} = V_{CC} - 0.6V); all other inputs at V_{CC} or GND.

4. This parameter is not directly testable, but is derived for use in Total Power Supply calculations.

5. Values for these conditions are examples of the I_C formula. These limits are guaranteed but not tested.

6. I_C = I_{QUIESCENT} + I_{INPUTS} + I_{DYNAMIC}

$$I_C = I_{CC} + \Delta I_{CC} \text{ DHNT} + I_{CCD} (fi)$$

$$I_{CC} = \text{Quiescent Current (I}_{CC1}, I_{CC2} \text{ and } I_{CC3})$$

$$\Delta I_{CC} = \text{Power Supply Current for a TTL High Input (V}_{IN} = V_{CC} - 0.6V)$$

$$D_H = \text{Duty Cycle for TTL Inputs High}$$

$$N_T = \text{Number of TTL Inputs at } D_H$$

$$I_{CCD} = \text{Dynamic Current Caused by an Input Transition Pair (HLH or LHL)}$$

$$fi = \text{Input Frequency}$$

All currents are in milliamps and all frequencies are in megahertz.



rev 0.2

DC Electrical Characteristics over Operating Range

Following Conditions Apply Unless Otherwise Specified

Commercial: TA = 0°C to +70°C, Industrial: TA = -40°C to +85°C, V_{CC} = 3.3V ± 0.3V

Symbol	Parameter	Test Conditions ¹		Min	Typ	Max	Unit
V _{IH}	Input HIGH Level (Input pins)	Guaranteed Logic HIGH Level		2	-	5.5	V
	Input HIGH Level (I/O pins)			2	-	V _{CC} + 0.5	
V _{IL}	Input LOW Level (Input and I/O pins)	Guaranteed Logic LOW Level		-0.5	-	0.8	V
I _{IH}	Input HIGH Current (Input pins)	V _{CC} = Max	V _I = 5.5V	-	-	±1	
	Input HIGH Current (I/O pins)		V _I = V _{CC}	-	-	±1	μA
I _{IL}	Input LOW Current (Input pins)	V _{CC} = Max	V _I = GND	-	-	±1	
	Input LOW Current (I/O pins)		V _I = GND	-	-	±1	
I _{OZH}	High Impedance Output Current	V _{CC} = Max	V _O = V _{CC}	-	-	±1	μA
I _{OZL}	(3-State Output Pins)		V _O = GND	-	-	±1	
V _{IK}	Clamp Diode Voltage	V _{CC} = Min., I _{IN} = -18mA		-	-0.7	-1.2	V
I _{ODH}	Output HIGH Current	V _{CC} = 3.3V, V _{IN} = V _{IH} or V _{IL} , V _O = 1.5V ³		-36	-60	-110	mA
I _{ODL}	Output LOW Current	V _{CC} = 3.3V, V _{IN} = V _{IH} or V _{IL} , V _O = 1.5V ³		50	90	200	mA
V _{OH}	Output HIGH Voltage	V _{CC} = Min.	I _{OH} = -0.1mA	V _{CC} -0.2	-	-	V
		V _{IN} = V _{IH} or V _{IL}	I _{OH} = -8mA	2.4 ⁵	3	-	
V _{OL}	Output LOW Voltage	V _{CC} = Min	I _{OL} = 0.1mA	-	-	0.2	V
		V _{IN} = V _{IH} or V _{IL}	I _{OL} = 16mA	-	0.2	0.4	
			I _{OL} = 24mA	-	0.3	0.5	
I _{OFF}	Input Power Off Leakage	V _{CC} = 0V, V _{IN} = 4.5V		-	-	±1	μA
I _{OS}	Short Circuit Current ⁴	V _{CC} = Max., V _O = GND ³		-60	-135	-240	mA
V _H	Input Hysteresis			-	150	-	mV
I _{CCL}	Quiescent Power Supply Current	V _{CC} = Max.			0.1	10	μA
I _{CCH}		V _{IN} = GND or V _{CC}					
I _{CCZ}							

NOTES:

- For conditions shown as Max or Min, use appropriate value specified under Electrical Characteristics for the applicable device type.
- Typical values are at V_{CC} = 3.3V, +25°C ambient.
- Not more than one output should be shorted at one time. Duration of the test should not exceed one second.
- This parameter is guaranteed but not tested.
- V_{OH} = V_{CC} - 0.6V at rated current.



rev 0.2

Switching Characteristics Over Operating Range – Commercial^{3,4}

Symbol	Parameter	Conditions ¹	ASM2P3807A		ASM2P3807AH		Unit
			Min ²	Max	Min ²	Max	
t _{PLH}	Propagation Delay	50Ω to V _{CC} /2 C _L = 10pF	1.5	3.5	1.5	3	nS
t _{PHL}							
t _R	Output Rise Time	(See figure 1)	-	1.5	-	1.5	nS
t _F	Output Fall Time	or 10Ω AC termination,	-	1.5	-	1.5	nS
t _{SK(O)}	Output skew: skew between outputs of same package (same transition)	C _L = 50pF (See figure 2) f ≤ 100MHz	-	0.5	-	0.35	nS
t _{SK(P)}	Pulse skew: skew between opposite transitions of same output (t _{PHL} – t _{PLH})	Outputs connected in groups of two	-	0.5	-	0.35	nS
t _{SK(T)}	Package skew: skew between outputs of different packages at same power supply voltage, temperature, package type and speed grade		-	0.9	-	0.65	nS



Symbol	Parameter	Conditions ¹	ASM2P3807A		ASM2P3807AH		Unit
			Min ²	Max	Min ²	Max	
t _{PLH}	Propagation Delay	C _L = 30pF f ≤ 67MHz (See figure 3)	1.5	4.5	1.5	4	nS
t _{PHL}							
t _R	Output Rise Time		-	1.5	-	1.5	nS
t _F	Output Fall Time		-	1.5	-	1.5	nS
t _{SK(O)}	Output skew: skew between outputs of same package (same transition)		-	0.6	-	0.45	nS
t _{SK(P)}	Pulse skew: skew between opposite transitions of same output (t _{PHL} - t _{PLH})		-	0.6	-	0.45	nS
t _{SK(T)}	Package skew: skew between outputs of different packages at same power supply voltage, temperature, package type and speed grade		-	1	-	0.75	nS

Symbol	Parameter	Conditions ¹	ASM2P3807A		ASM2P3807AH		Unit
			Min ²	Max	Min ²	Max	
t _{PLH}	Propagation Delay	C _L = 50pF f ≤ 40MHz (See figure 4)	1.5	4.8	1.5	4.3	nS
t _{PHL}							
t _R	Output Rise Time		-	1.5	-	1.5	nS
t _F	Output Fall Time		-	1.5	-	1.5	nS
t _{SK(O)}	Output skew: skew between outputs of same package (same transition)		-	0.5	-	0.35	nS
t _{SK(P)}	Pulse skew: skew between opposite transitions of same output (t _{PHL} - t _{PLH})		-	0.5	-	0.35	nS
t _{SK(T)}	Package skew: skew between outputs of different packages at same power supply voltage, temperature, package type and speed grade		-	1	-	0.75	nS

NOTES:1. See test circuits and waveforms.

2. Minimum limits are guaranteed but not tested on Propagation Delays.

3. t_{PLH}, t_{PHL}, t_{SK(O)} are production tested. All other parameters guaranteed but not production tested.

4. Propagation delay range indicated by Min. and Max. limit is due to V_{CC}, operating temperature and process parameters. These propagation delays limits do not imply skew.



rev 0.2

Switching Characteristics Over Operating Range - Industrial^{3,4}

Symbol	Parameter	Conditions ¹	ASM2P3807A		ASM2P3807AH		Unit
			Min ²	Max	Min ²	Max	
t _{PLH}	Propagation Delay	50Ω to V _{CC} /2 C _L = 10pF	1.5	3.5	1.5	3	nS
t _{PHL}							
t _R	Output Rise Time	(See figure 1)	-	1.5	-	1.5	nS
t _F	Output Fall Time	or 50Ω AC termination,	-	1.5	-	1.5	nS
t _{SK(O)}	Output skew: skew between outputs of same package (same transition)	C _L = 10pF (See figure 2)	-	0.6	-	0.45	nS
t _{SK(P)}	Pulse skew: skew between opposite transitions of same output (t _{PHL} - t _{PLH})	f ≤ 100MHz Outputs connected in groups of two	-	0.6	-	0.45	nS
t _{SK(T)}	Package skew: skew between outputs of different packages at same power supply voltage, temperature, package type and speed grade		-	0.9	-	0.65	nS

Symbol	Parameter	Conditions ¹	ASM2P3807A		ASM2P3807AH		Unit
			Min ²	Max	Min ²	Max	
t _{PLH}	Propagation Delay	C _L = 30pF f ≤ 67MHz	1.5	4.5	1.5	4	nS
t _{PHL}							
t _R	Output Rise Time	(See figure 3)	-	1.5	-	1.5	nS
t _F	Output Fall Time		-	1.5	-	1.5	nS
t _{SK(O)}	Output skew: skew between outputs of same package (same transition)		-	0.6	-	0.45	nS
t _{SK(P)}	Pulse skew: skew between opposite transitions of same output (t _{PHL} - t _{PLH})		-	0.6	-	0.45	nS
t _{SK(T)}	Package skew: skew between outputs of different packages at same power supply voltage, temperature, package type and speed grade		-	1	-	0.75	nS



Symbol	Parameter	Conditions ¹	ASM2P3807A		ASM2P3807AH		Unit
			Min ²	Max	Min ²	Max	
t _{PLH}	Propagation Delay	C _L = 50pF f ≤ 40MHz (See figure 4)	1.5	4.8	1.5	4.3	nS
t _{PHL}			-	1.5	-	1.5	
t _R	Output Rise Time		-	1.5	-	1.5	nS
t _F	Output Fall Time		-	1.5	-	1.5	nS
t _{SK(O)}	Output skew: skew between outputs of same package (same transition)		-	0.6	-	0.45	nS
t _{SK(P)}	Pulse skew: skew between opposite transitions of same output (t _{PHL} - t _{PLH})		-	0.6	-	0.45	nS
t _{SK(T)}	Package skew: skew between outputs of different packages at same power supply voltage, temperature, package type and speed grade		-	1	-	0.75	nS

NOTES:1. See test circuits and waveforms.

2. Minimum limits are guaranteed but not tested on Propagation Delays.

3. t_{PLH}, t_{PHL}, t_{SK(I)} are production tested. All other parameters guaranteed but not production tested.

4. Propagation delay range indicated by Min and Max limit is due to V_{CC}, operating temperature and process parameters. These propagation delay limits do not imply skew.

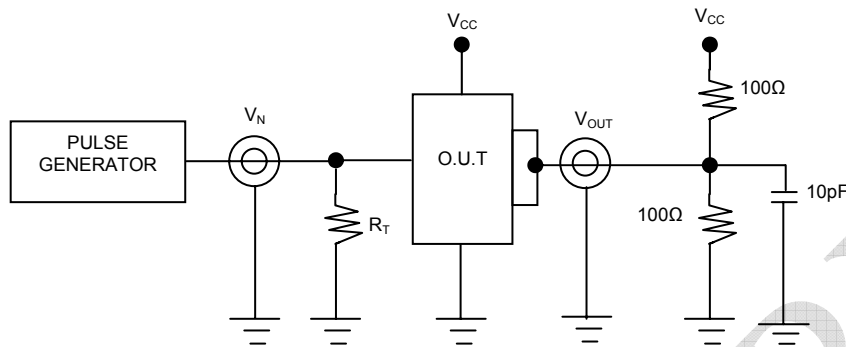


Figure 1. $Z_o = 50\Omega$ to $V_{CC}/2$, $C_L = 10pF$

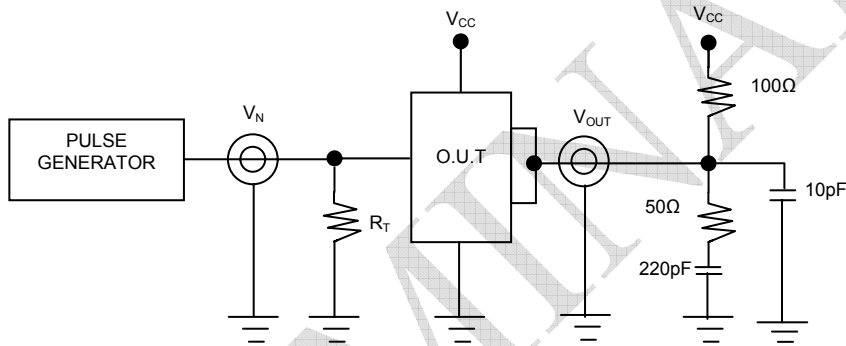


Figure 2. $Z_o = 50\Omega$ AC Termination, $C_L = 10pF$

The capacitor value for ac termination is determined by the operating frequency. For very low frequencies a higher capacitor value should be selected.

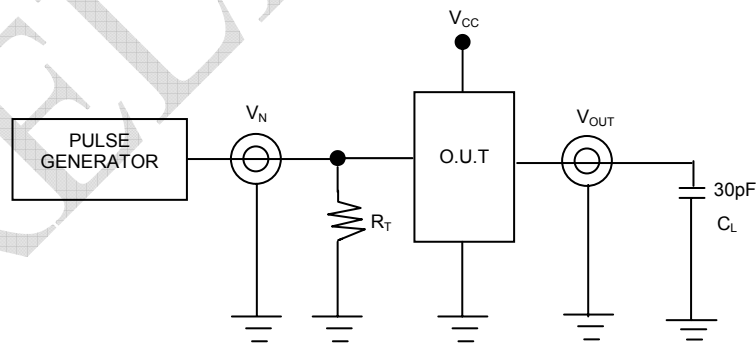


Figure 3. $C_L = 30pF$ Circuit

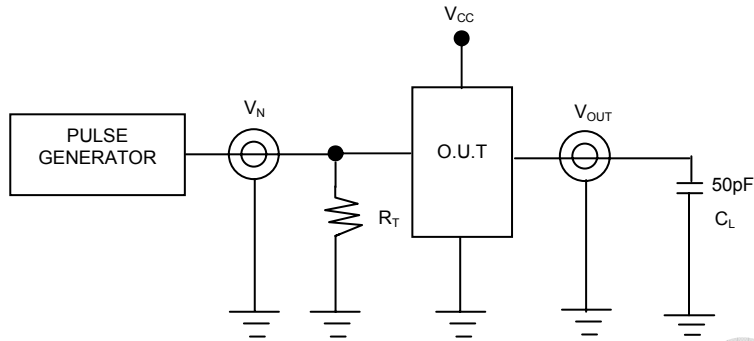


Figure 3. $C_L = 50\text{pF}$ Circuit

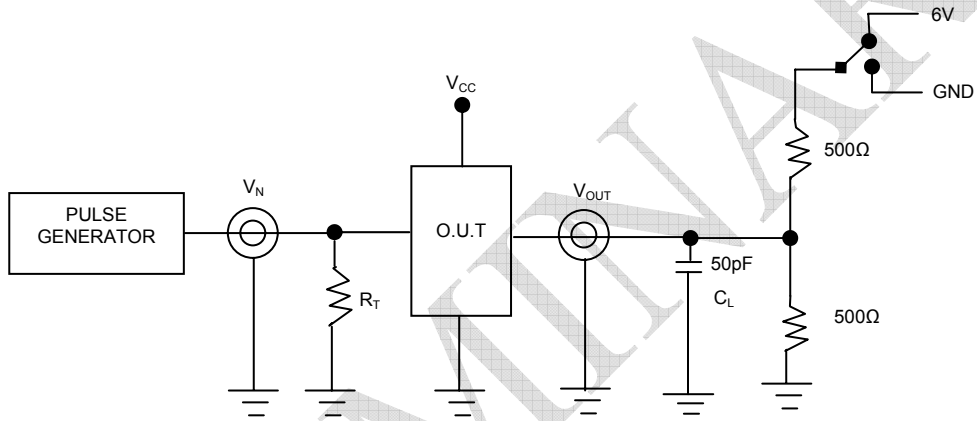


Figure 5. Enable and Disable Time Circuit



rev 0.2

Enable and Disable Time

Switch Position

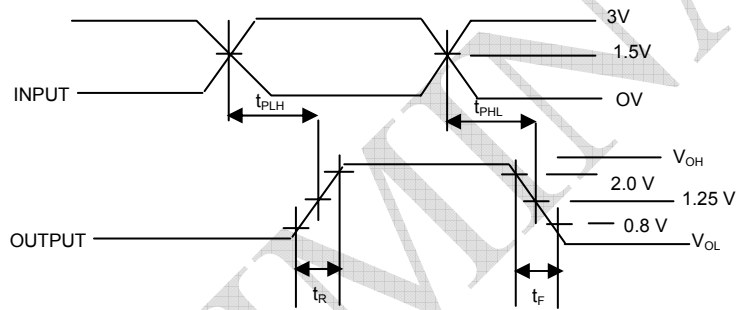
Test	Switch
Disable LOW	6V
Enable LOW	
Disable HIGH	GND
Enable HIGH	

DEFINITIONS:

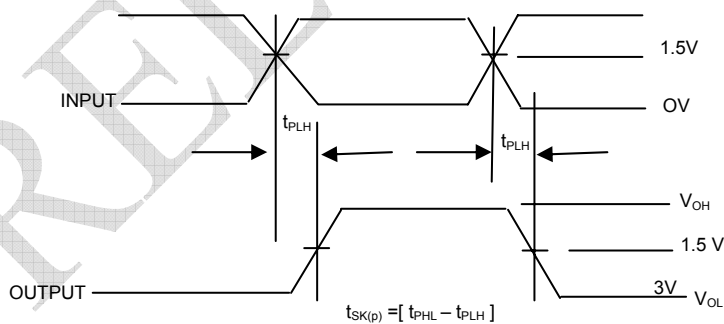
C_L = Load capacitance: includes jig and probe capacitance.

R_T = Termination resistance: should be equal to Z_{OUT} of the Pulse Generator.

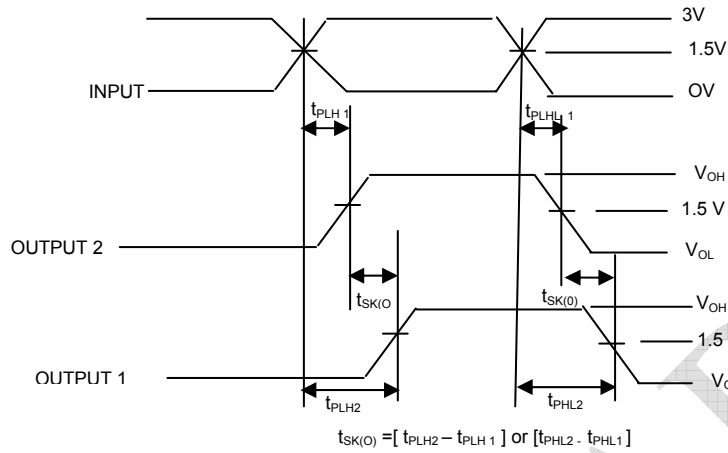
Test Waveforms



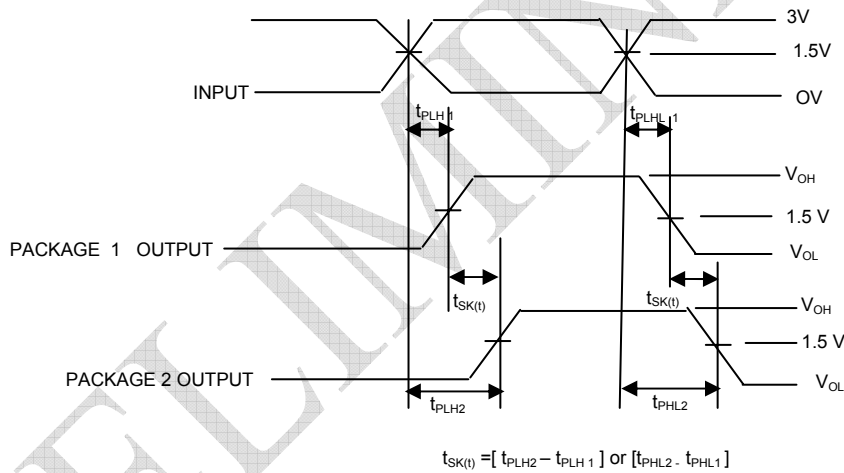
Package Delay



Pulse Skew - $t_{SK(P)}$

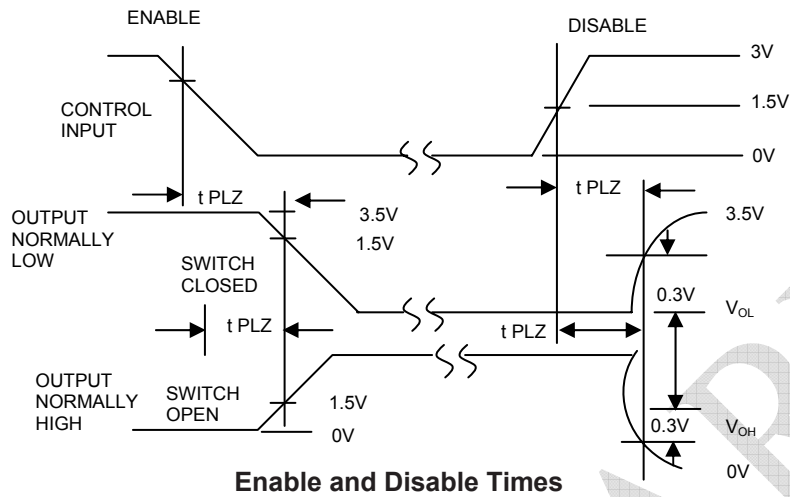


Output Skew - $t_{SK(O)}$



Package Skew - $t_{SK(I)}$

Package 1 and Package 2 are same device type and speed grade

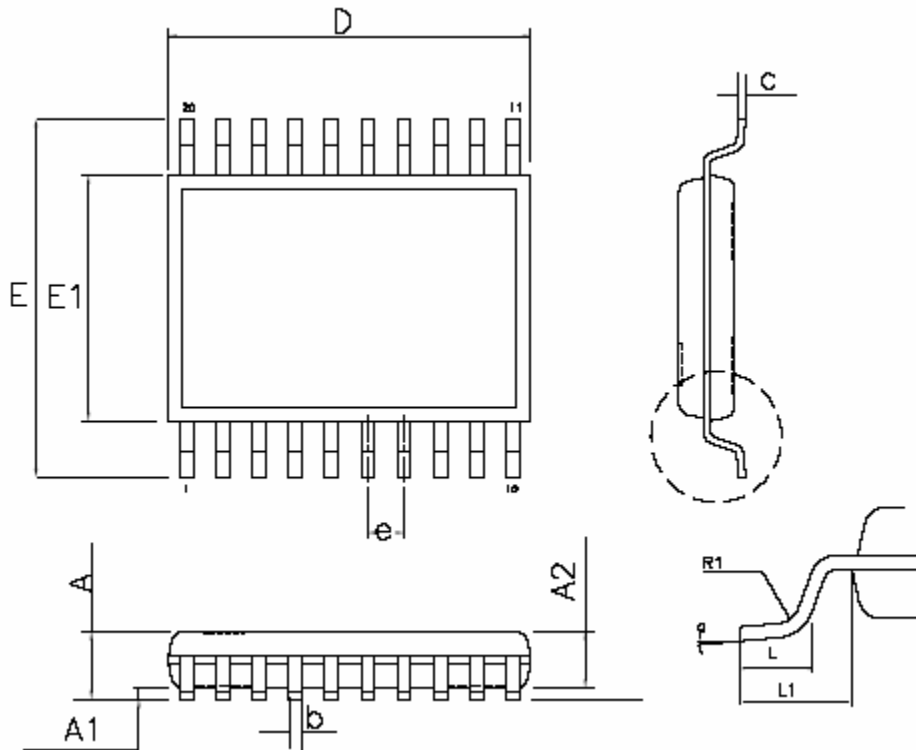


- NOTES: 1. Diagram shown for input Control Enable-LOW and input Control Disable-HIGH
 2. Pulse Generator for All Pulses: $f \leq 1.0\text{MHz}$; $t_F \leq 2.5\text{ns}$; $t_R \leq 2.5\text{ns}$

PRELIMINARY



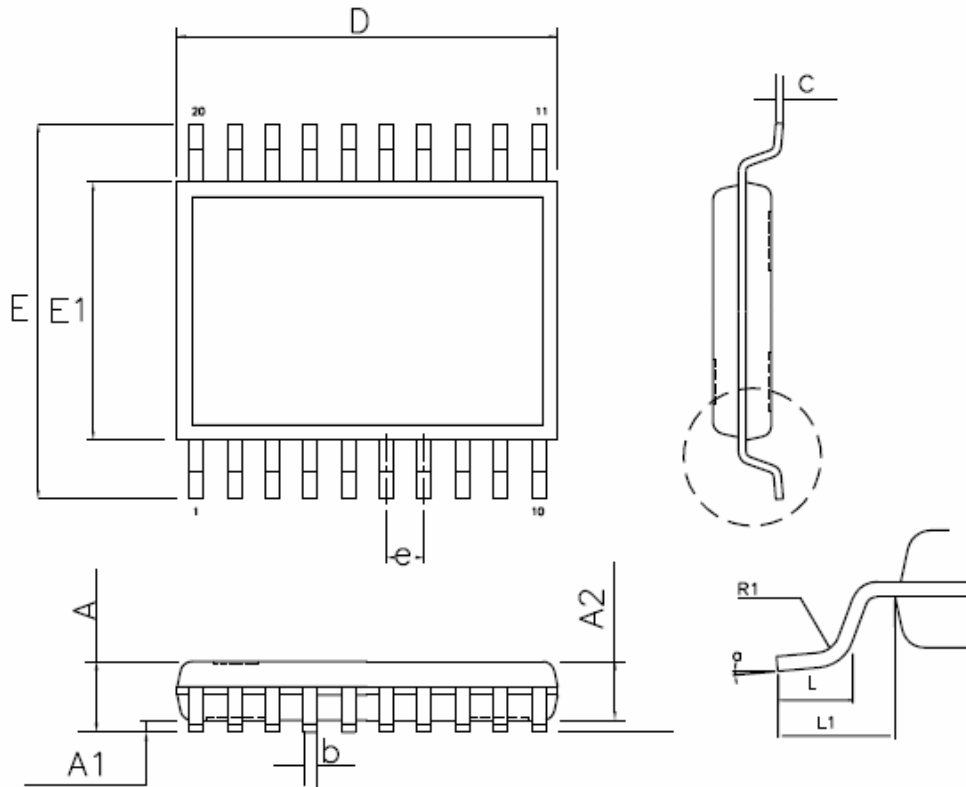
20-lead SSOP (150 mil) Package



Symbol	Dimensions			
	Inches		Millimeters	
	Min	Max	Min	Max
A	0.053	0.069	1.346	1.753
A1	0.004	0.010	0.102	0.254
A2	0.059	1.499
D	0.337	0.344	8.560	8.738
c	0.007	0.012	0.178	0.274
E	0.228	0.244	5.791	6.198
E1	0.150	0.157	3.810	3.988
L	0.016	0.035	0.406	0.890
L1	0.010 BASIC		0.254 BASIC	
b	0.203	0.325	0.008	0.014
R1	0.003	0.08
a	0°	8°	0°	8°
e	0.025 BASIC		0.635 BASIC	



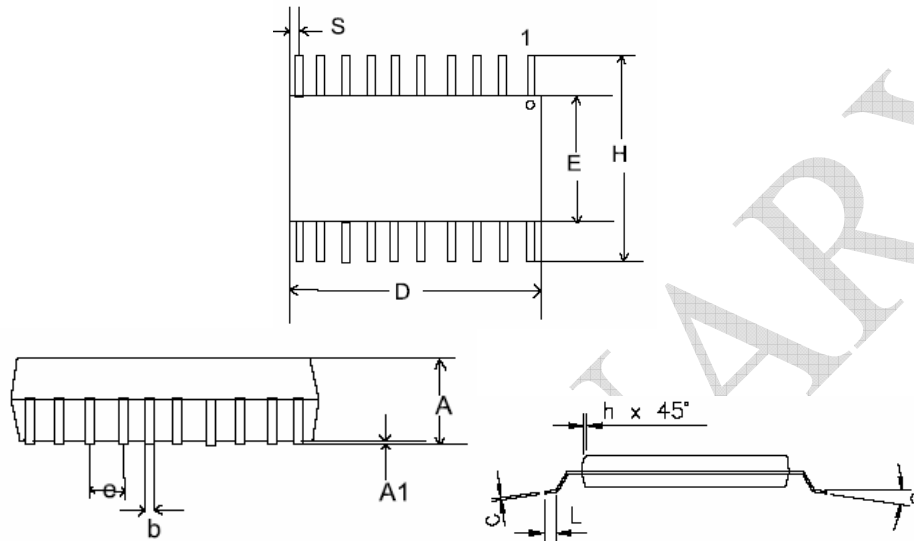
20L SOIC Package (300 mil)



Symbol	Dimensions			
	Inches		Millimeters	
	Min	Max	Min	Max
A	0.093	0.104	2.35	2.65
A1	0.004	0.012	0.10	0.30
A2	0.088	0.094	2.25	2.40
D	0.496	0.512	12.60	13.00
L	0.016	0.050	0.40	1.27
E1	0.291	0.299	7.40	7.60
R1	0.003	0.08
b	0.013	0.022	0.33	0.56
c	0.009	0.015	0.23	0.38
E	0.394	0.419	10.00	10.65
e	0.050 BSC		1.27 BSC	
a	0°	8°	0°	8°



20-lead QSOP Package



Symbol	Dimensions			
	Inches		Millimeters	
	Min	Max	Min	Max
A	0.060	0.068	1.52	1.73
A1	0.004	0.008	0.10	0.20
b	0.009	0.012	0.23	0.30
c	0.007	0.010	0.18	0.25
D	0.337	0.344	8.56	8.74
E	0.150	0.157	3.81	3.99
e	0.025 BSC		0.64 BSC	
H	0.230	0.244	5.84	6.20
h	0.010	0.016	0.25	0.41
L	0.016	0.035	0.41	0.89
S	0.056	0.060	1.42	1.52
a	0°	8°	0°	8°



rev 0.2

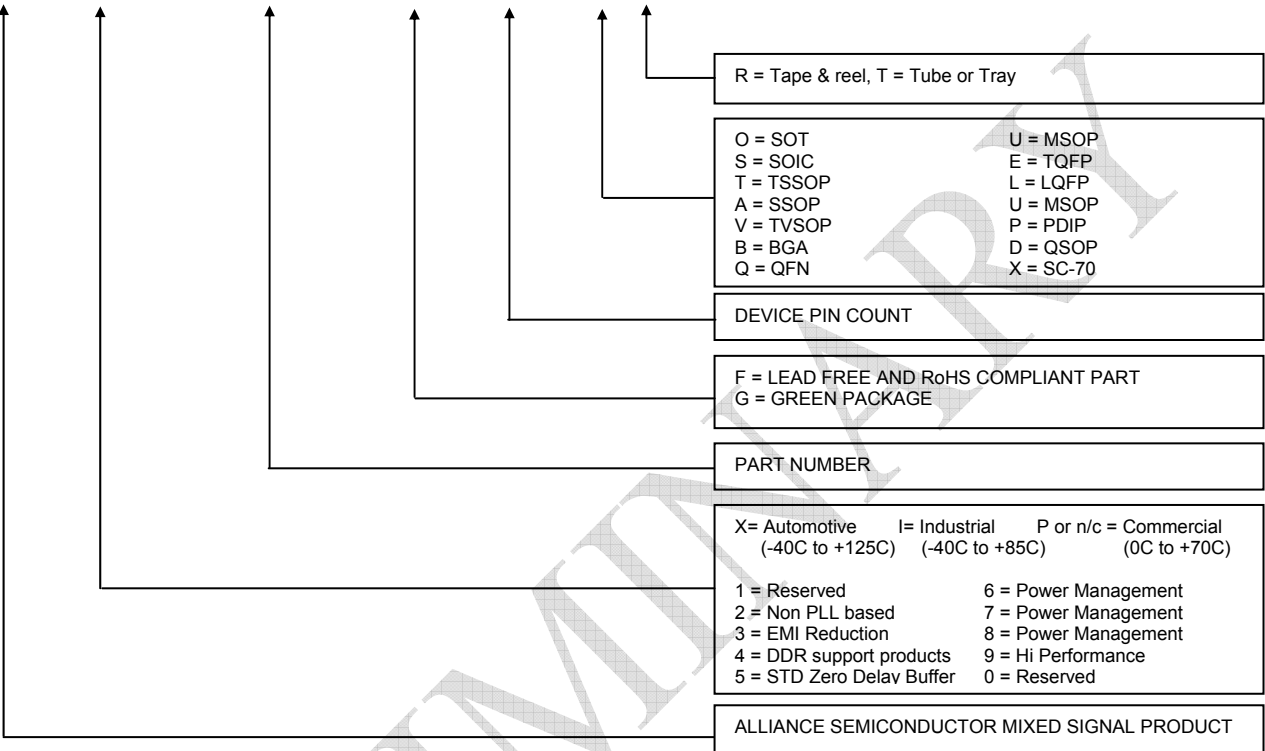
Ordering Information

Part Number	Marking	Package Type	Temperature
ASM2P3807AHG-20-AR	2P3807AHG	20-Pin SSOP, TAPE & REEL, Green	Commercial
ASM2P3807AHG-20-AT	2P3807AHG	20-Pin SSOP, TUBE, Green	Commercial
ASM2P3807AHG-20-DR	2P3807AHG	20-Pin QSOP, TAPE & REEL, Green	Commercial
ASM2P3807AHG-20-DT	2P3807AHG	20-Pin QSOP, TUBE, Green	Commercial
ASM2P3807AHG-20-SR	2P3807AHG	20-Pin SOIC, TAPE & REEL, Green	Commercial
ASM2P3807AHG-20-ST	2P3807AHG	20-Pin SOIC, TUBE, Green	Commercial
ASM2I3807AHG-20-AR	2I3807AHG	20-Pin SSOP, TAPE & REEL, Green	Industrial
ASM2I3807AHG-20-AT	2I3807AHG	20-Pin SSOP, TUBE, Green	Industrial
ASM2I3807AHG-20-DR	2I3807AHG	20-Pin QSOP, TAPE & REEL, Green	Industrial
ASM2I3807AHG-20-DT	2I3807AHG	20-Pin QSOP, TUBE, Pb Free	Industrial
ASM2I3807AHG-20-SR	2I3807AHG	20-Pin SOIC, TAPE & REEL, Green	Industrial
ASM2I3807AHG-20-ST	2I3807AHG	20-Pin SOIC, TUBE, Green	Industrial
ASM2P3807AG-20-AR	2P3807AG	20-Pin SSOP, TAPE & REEL, Green	Commercial
ASM2P3807AG-20-AT	2P3807AG	20-Pin SSOP, TUBE, Green	Commercial
ASM2P3807AG-20-DR	2P3807AG	20-Pin QSOP, TAPE & REEL, Green	Commercial
ASM2P3807AG-20-DT	2P3807AG	20-Pin QSOP, TUBE, Green	Commercial
ASM2P3807AG-20-SR	2P3807AG	20-Pin SOIC, TAPE & REEL, Green	Commercial
ASM2P3807AG-20-ST	2P3807AG	20-Pin SOIC, TUBE, Green	Commercial
ASM2I3807AG-20-AR	2I3807AG	20-Pin SSOP, TAPE & REEL, Green	Industrial
ASM2I3807AG-20-AT	2I3807AG	20-Pin SSOP, TUBE, Green	Industrial
ASM2I3807AG-20-DR	2I3807AG	20-Pin QSOP, TAPE & REEL, Green	Industrial
ASM2I3807AG-20-DT	2I3807AG	20-Pin QSOP, TUBE, Green	Industrial
ASM2I3807AG-20-SR	2I3807AG	20-Pin SOIC, TAPE & REEL, Green	Industrial
ASM2I3807AG-20-ST	2I3807AG	20-Pin SOIC, TUBE, Green	Industrial



Device Ordering Information

A S M 2 P 3 8 0 7 A H G - 2 0 - A T



Licensed under US patent Nos 5,488,627 and 5,631,920.



Alliance Semiconductor Corporation
2595, Augustine Drive,
Santa Clara, CA 95054
Tel# 408-855-4900
Fax: 408-855-4999
www.alsc.com

Copyright © Alliance Semiconductor
All Rights Reserved
Advance Information
Part Number: ASM2P3807AH
Document Version: v0.1

Note: This product utilizes US Patent # 6,646,463 Impedance Emulator Patent issued to Alliance Semiconductor, dated 11-11-2003

© Copyright 2003 Alliance Semiconductor Corporation. All rights reserved. Our three-point logo, our name and Intelliwatt are trademarks or registered trademarks of Alliance. All other brand and product names may be the trademarks of their respective companies. Alliance reserves the right to make changes to this document and its products at any time without notice. Alliance assumes no responsibility for any errors that may appear in this document. The data contained herein represents Alliance's best data and/or estimates at the time of issuance. Alliance reserves the right to change or correct this data at any time, without notice. If the product described herein is under development, significant changes to these specifications are possible. The information in this product data sheet is intended to be general descriptive information for potential customers and users, and is not intended to operate as, or provide, any guarantee or warranty to any user or customer. Alliance does not assume any responsibility or liability arising out of the application or use of any product described herein, and disclaims any express or implied warranties related to the sale and/or use of Alliance products including liability or warranties related to fitness for a particular purpose, merchantability, or infringement of any intellectual property rights, except as express agreed to in Alliance's Terms and Conditions of Sale (which are available from Alliance). All sales of Alliance products are made exclusively according to Alliance's Terms and Conditions of Sale. The purchase of products from Alliance does not convey a license under any patent rights, copyrights; mask works rights, trademarks, or any other intellectual property rights of Alliance or third parties. Alliance does not authorize its products for use as critical components in life-supporting systems where a malfunction or failure may reasonably be expected to result in significant injury to the user, and the inclusion of Alliance products in such life-supporting systems implies that the manufacturer assumes all risk of such use and agrees to indemnify Alliance against all claims arising from such use.