

Features

- 3.5V to 20V DC operation voltage
- Temperature compensation
- Wide operating voltage range
- Open-Collector pre-driver
- 25mA maximum sinking output current.
- Reverse polarity protection
- Lead Free Finish/RoHS Compliant for Lead Free products (Note 1)
- Package: SIP-3L

General Description

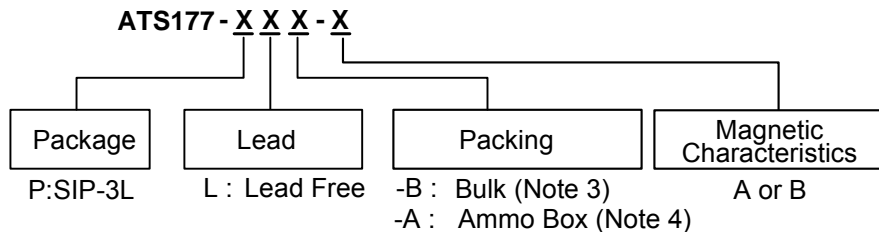
ATS177 is an integrated Hall effect latched sensor designed for electronic commutation of brush-less DC motor applications. The device includes an on-chip Hall voltage generator for magnetic sensing, a comparator that amplifies the Hall voltage, and a schmitt trigger to provide switching hysteresis for noise rejection, and open-collector output. An internal bandgap regulator is used to provide temperature compensated supply voltage for internal circuits and allows a wide operating supply range.

If a magnetic flux density larger than threshold Bop, DO is turned on(low). The output state is held until a magnetic flux density reversal falls below Brp causing DO to be turned off (high).

Applications

- Brush-less DC Motor
- Brush-less DC Fan
- Revolution counting
- Speed measurement

Ordering Information

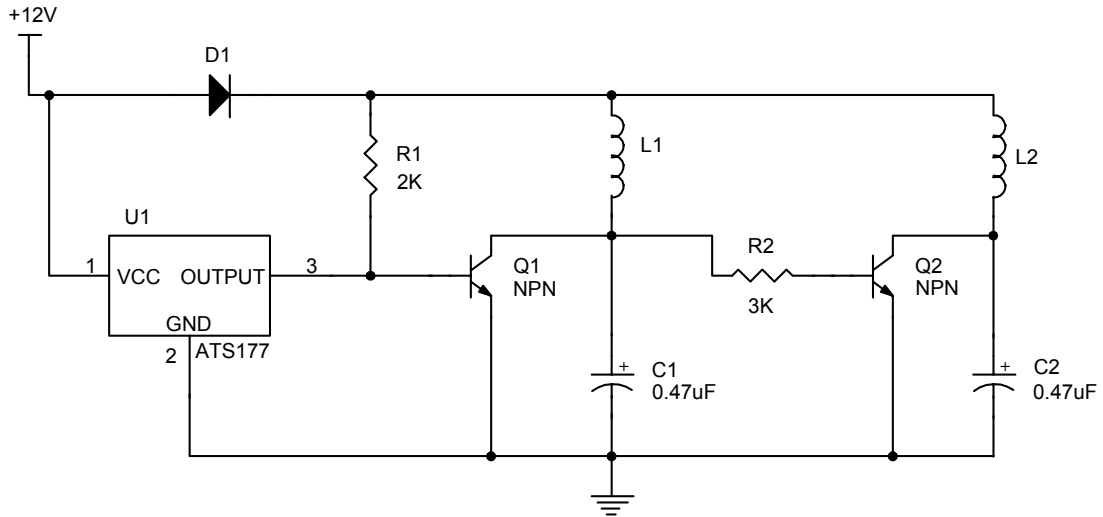


Note: 1. RoHS revision 13.2.2003. Glass and High Temperature Solder Exemptions Applied, see *EU Directive Annex Notes 5 and 7*.

Device	Package Code	Packaging (Note 2)	Tube/Bulk		7" Tape and Reel		Ammo Box	
			Quantity	Part Number Suffix	Quantity	Part Number Suffix	Quantity	Part Number Suffix
ATS177-P	P	SIP-3L	1000	-B	NA	NA	4000/Box	-A

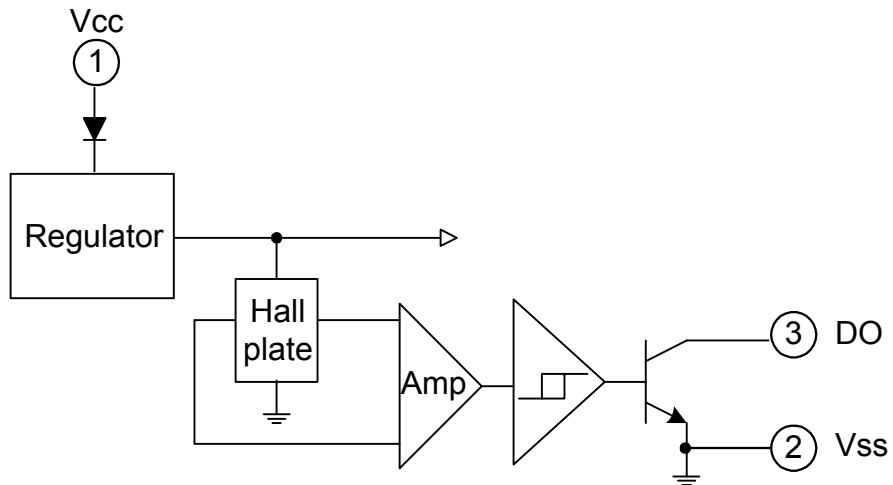
- Note: 2. Pad layout as shown on Diodes Inc. suggested pad layout document AP02001, which can be found on our website at <http://www.diodes.com/datasheets/ap02001.pdf>.
3. Bulk is for SIP-3L Straight Lead.
4. Ammo Box is for SIP-3L Spread Lead.

Typical Circuit

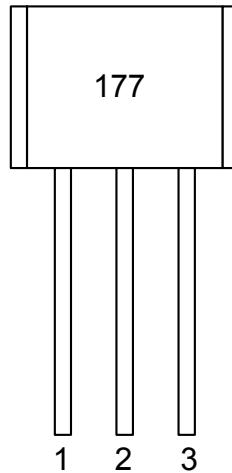


Brush-less DC Fan

Functional Block Diagrams



Pin Descriptions

**SIP-3L**

Name	P/I/O	Pin #	Description
Vcc	P	1	Positive power supply
Vss	P	2	Ground
DO	O	3	Digital output

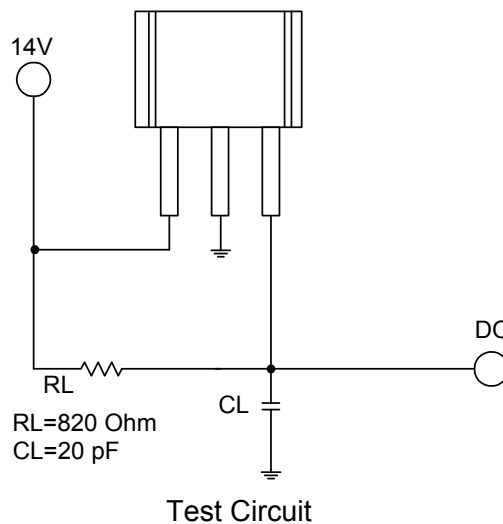
Absolute Maximum Ratings (at TA=25°C)

Characteristics	Symbol	Values	Unit
Supply Voltage	V _{CC}	20	V
Reverse Vcc Polarity Voltage	V _{RCC}	-20	V
Magnetic Flux Density	B	Unlimited	
Output OFF Voltage	V _{ce}	30	V
Output "ON" Current	I _c	25	mA
Operating Temperature Range	T _A	-20~+85	°C
Storage Temperature Range	T _s	-65~+150	°C
Maximum Junction Temp.	T _j	150	°C
Package Power Dissipation	P _D	550	mW

Electrical Characteristics (TA=+ 25°C)

Characteristic	Symbol	Test Conditions	Min	Typ	Max	Units
Supply Voltage	Vcc	—	3.5	-	20	V
Output Saturation Voltage	Vce(sat)	Vcc=14V, Ic=20mA	-	300	700	mV
Output Leakage Current	Icex	Vce=14V, Vcc=14V	-	<0.1	10	uA
Supply Current	Icc	Vcc=20V, Output Open	-	5	10	mA
Output Rise Time	tr	Vcc=14V, RL=820Ω, CL=20pF	-	0.3	1.5	us
Output Falling Time	tf	Vcc=14V, RL=820Ω, CL=20pF	-	0.3	1.5	us

Test Circuit



Magnetic Characteristics (TA=25°C)

1mT=10Gauss)

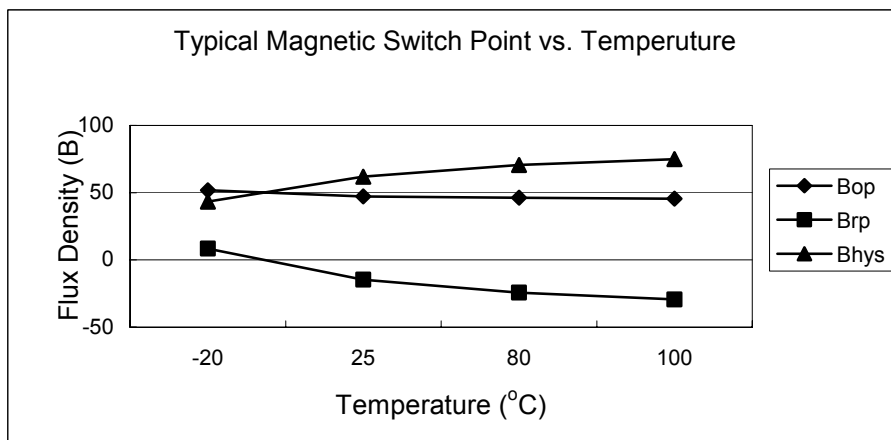
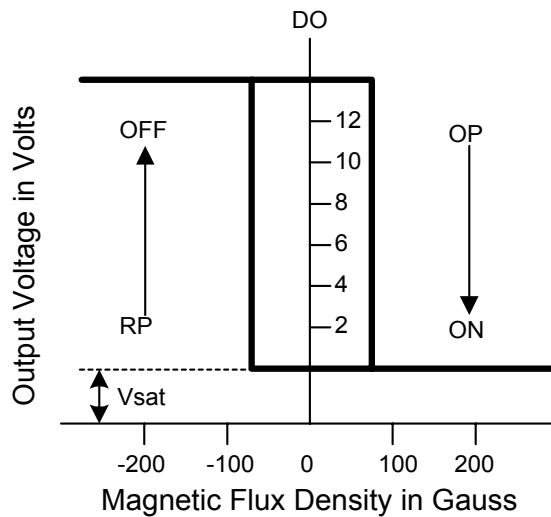
A grade

Parameter	Symbol	Min.	Typ.	Max.	Unit
Operate Point	Bop	5	-	70	Gauss
Release Point	Brp	-70	-	-5	Gauss
Hysteresis	Bhys	-	80	-	Gauss

B grade

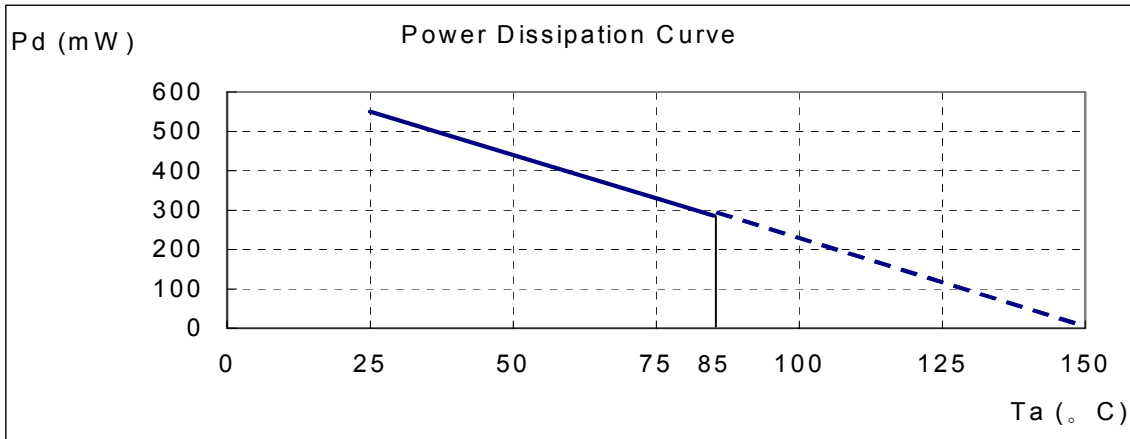
Parameter	Symbol	Min.	Typ.	Max.	Unit
Operate Point	Bop	-	-	100	Gauss
Release Point	Brp	-100	-	-	Gauss
Hysteresis	Bhys	-	80	-	Gauss

*B grade is for SIP-3L package only.



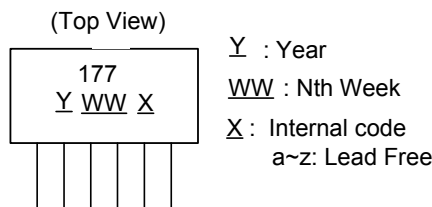
Performance Characteristics (SIP-3L)

Ta (°C)	25	50	60	70	80	85	90	95	100
Pd (mW)	550	440	396	352	308	286	264	242	220
Ta (°C)	105	110	115	120	125	130	135	140	150
Pd (mW)	198	176	154	132	110	88	66	44	0



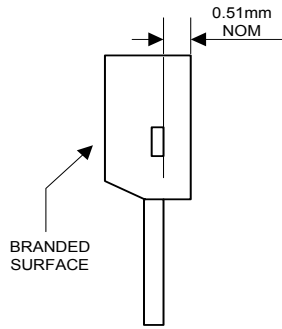
Marking Information

SIP-3L

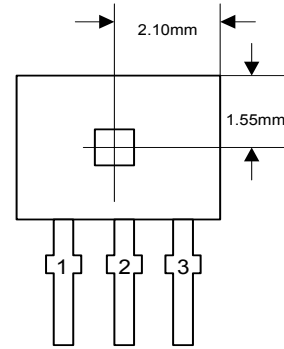


Package Information (unit: mm)

(1) Package Type: SIP-3L for Bulk Pack

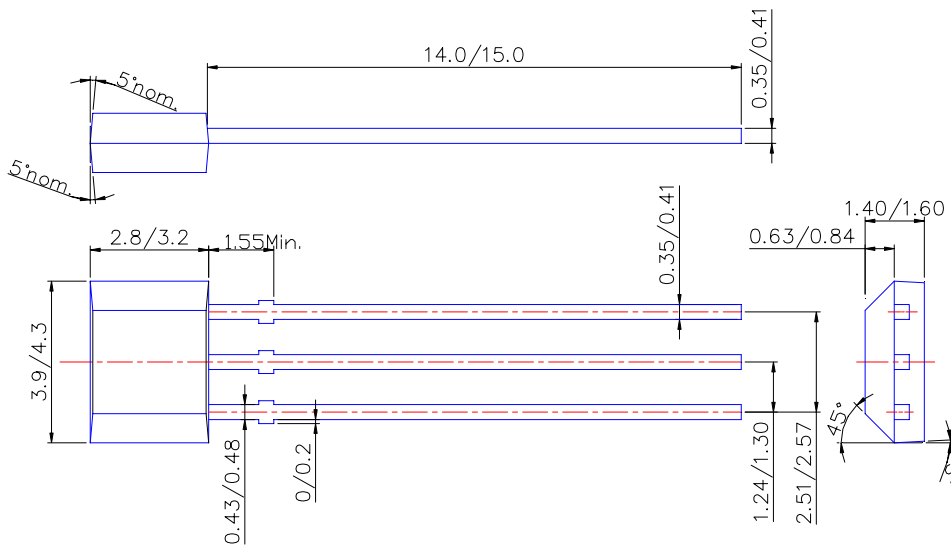


Active Area Depth



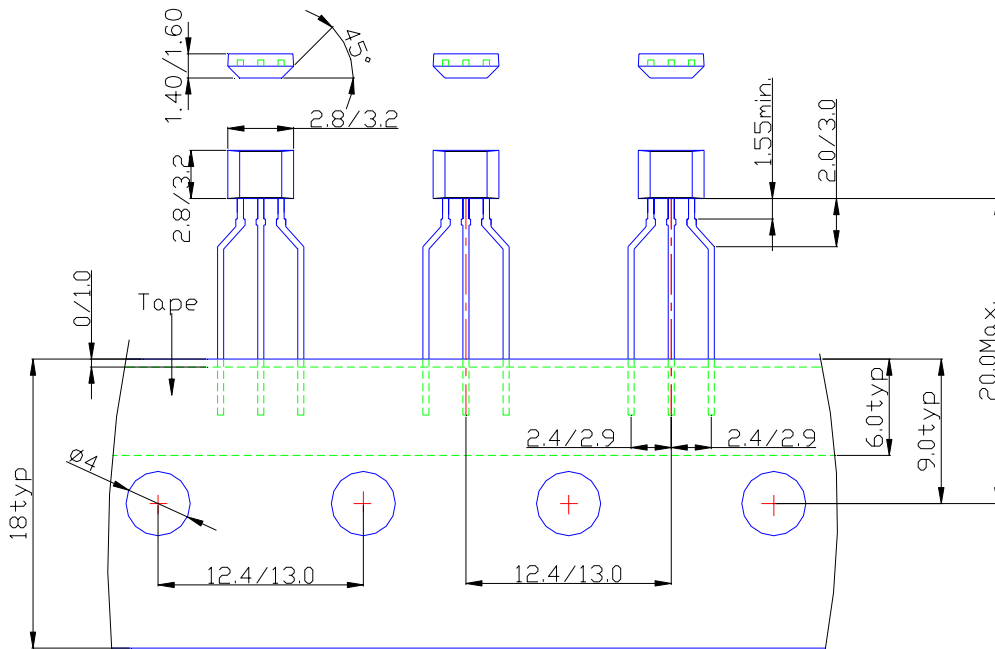
Sensor Location

Package Dimension



Package Information (Continued)

(2) Package Type: SIP-3L for Ammo Pack-only



IMPORTANT NOTICE

Diodes Incorporated and its subsidiaries reserve the right to make modifications, enhancements, improvements, corrections or other changes without further notice to any product herein. Diodes Incorporated does not assume any liability arising out of the application or use of any product described herein; neither does it convey any license under its patent rights, nor the rights of others. The user of products in such applications shall assume all risks of such use and will agree to hold Diodes Incorporated and all the companies whose products are represented on our website, harmless against all damages.

LIFE SUPPORT

Diodes Incorporated products are not authorized for use as critical components in life support devices or systems without the expressed written approval of the President of Diodes Incorporated.