



**33V HIGH PRECISE VOLTAGE REFERENCE**

**AZ574**

**General Description**

The AZ574 is a monolithic integrated voltage stabilizer especially designed for TV tuners.

The AZ574 is available in TO-92-2 package.

**Features**

- Low Temperature Coefficient
- Low Dynamic Impedance
- Typical Reference Voltage of 33V
- High Cathode Current Capacity up to 30mA

**Applications**

- TV Tuners

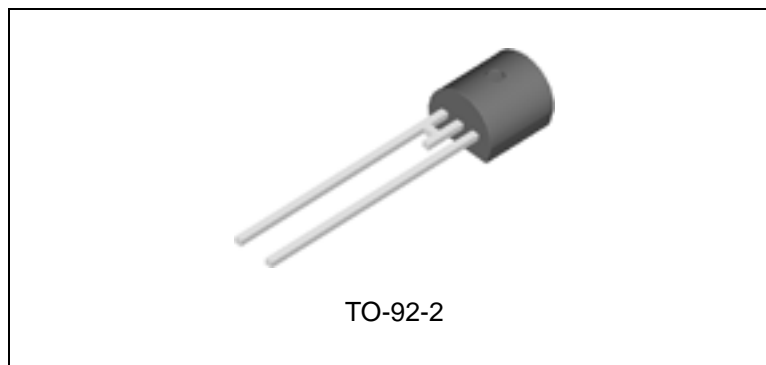


Figure 1. Package Type of AZ574



**33V HIGH PRECISE VOLTAGE REFERENCE**

**AZ574**

**Pin Configuration**

Z Package  
(TO-92-2)

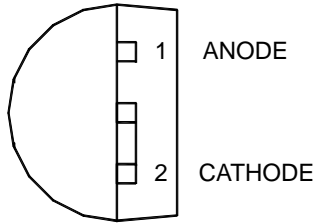


Figure 2. Pin Configuration of AZ574 (Top View)

**Functional Block Diagram**

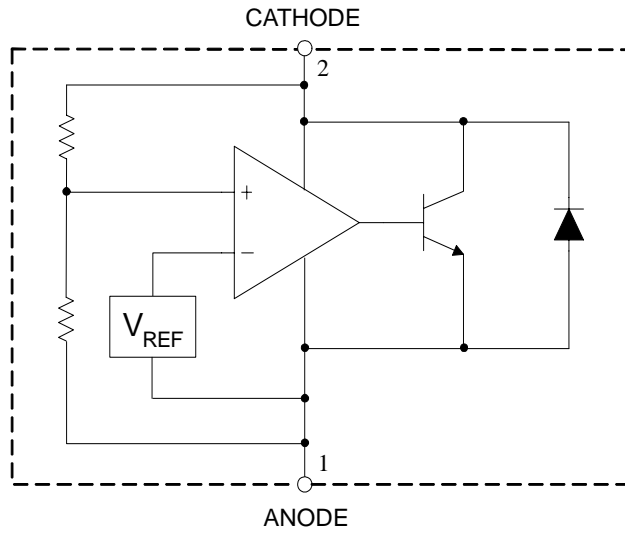


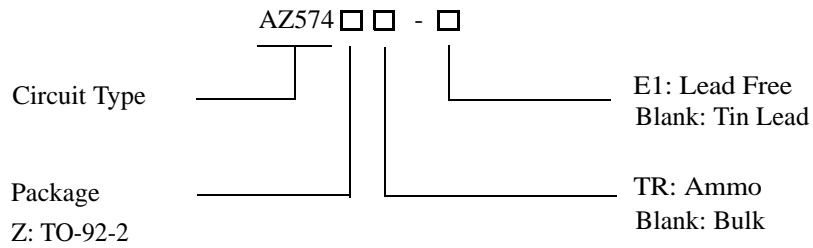
Figure 3. Functional Block Diagram of AZ574



**33V HIGH PRECISE VOLTAGE REFERENCE**

**AZ574**

**Ordering Information**



Package	Temperature Range	Part Number		Marking ID		Packing Type
		Tin Lead	Lead Free	Tin Lead	Lead Free	
TO-92-2	-20 to 75°C	AZ574Z	AZ574Z-E1	AZ574Z	AZ574Z-E1	Bulk
		AZ574ZTR	AZ574ZTR-E1	AZ574Z	AZ574Z-E1	Ammo

BCD Semiconductor's Pb-free products, as designated with "E1" suffix in the part number, are RoHS compliant.

**33V HIGH PRECISE VOLTAGE REFERENCE****AZ574****Absolute Maximum Ratings (Note 1)**

Parameter	Symbol	Value	Unit
Cathode Current	$I_{KA}$	40	mA
Power Dissipation	$P_D$	700 ( $T_A=75^\circ\text{C}$ )	mW
Storage Temperature	$T_{STG}$	-40 to 125	$^\circ\text{C}$

Note 1: Stresses greater than those listed under "Absolute Maximum Ratings" may cause permanent damage to the device. These are stress ratings only, and functional operation of the device at these or any other conditions beyond those indicated under "Recommended Operating Conditions" is not implied. Exposure to "Absolute Maximum Ratings" for extended periods may affect device reliability.

**Recommended Operating Conditions**

Parameter	Symbol	Min	Max	Unit
Operating Ambient Temperature	$T_A$	-20	75	$^\circ\text{C}$
Operating Cathode Current	$I_{KA}$	1.5	30	mA

**Electrical Characteristics**

( $T_A=25^\circ\text{C}$ , unless otherwise specified.)

Parameter	Symbol	Conditions	Min	Typ	Max	Unit
Cathode Voltage	$V_{KA}$	$I_{KA}=5\text{mA}$	31		35	V
Cathode Voltage Temperature Drift	$\Delta V_{KA}/\Delta T$	$I_{KA}=5\text{mA}$ , $T_A=-20$ to $75^\circ\text{C}$ (Note 2)		0.6		mV/ $^\circ\text{C}$
Dynamic Impedance	$Z_{KA}$	$I_{KA}=5\text{mA}$ , $f=1\text{KHz}$ , $I_{AC}=0.5\text{mA}$		5	12	$\Omega$

Note 2: Cathode voltage temperature drift is defined as maximum (worst case) change divided by the total temperature range.



**33V HIGH PRECISE VOLTAGE REFERENCE**

**AZ574**

**Typical Performance Characteristics**

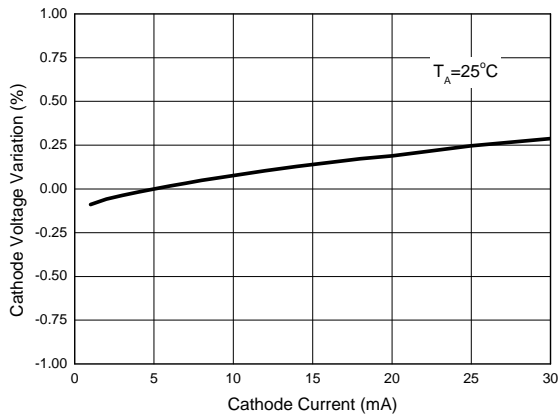


Figure 4. Cathode Voltage Variation vs. Cathode Current

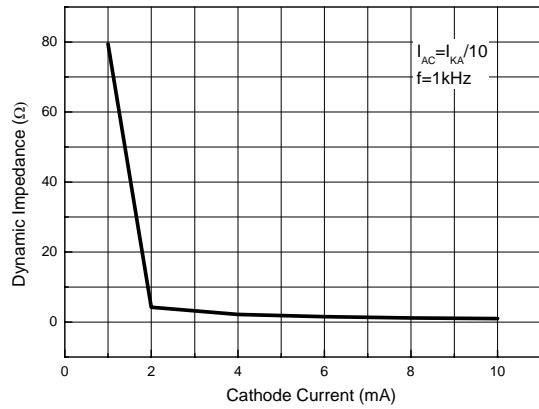


Figure 5. Dynamic Impedance vs. Cathode Current

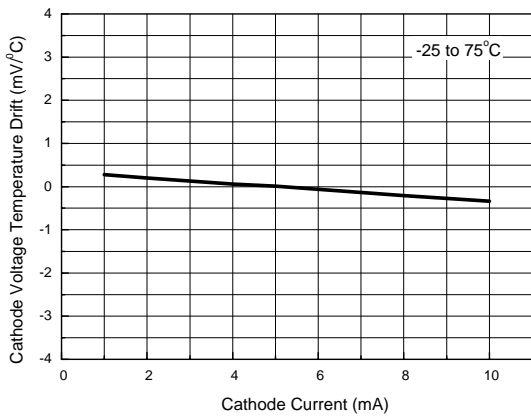


Figure 6. Cathode Voltage Temperature Drift vs. Cathode Current

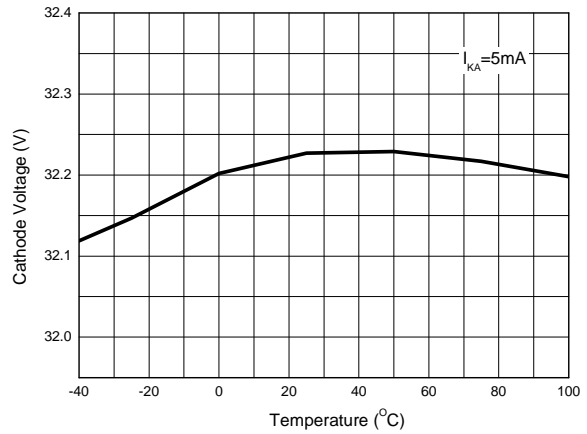


Figure 7. Cathode Voltage vs. Temperature



**33V HIGH PRECISE VOLTAGE REFERENCE**

**AZ574**

**Typical Performance Characteristics (Continued)**

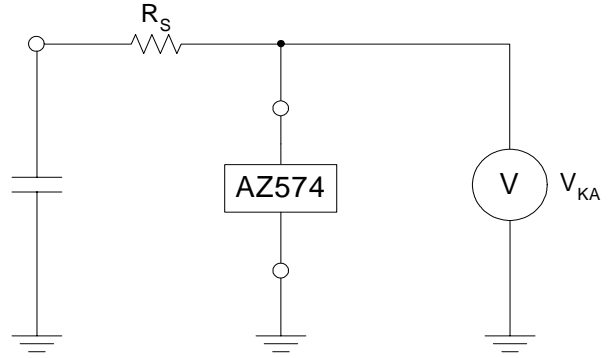
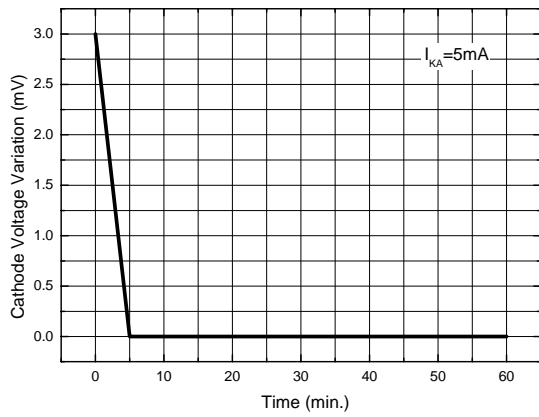


Figure 8. Cathode Voltage Variation vs. Time

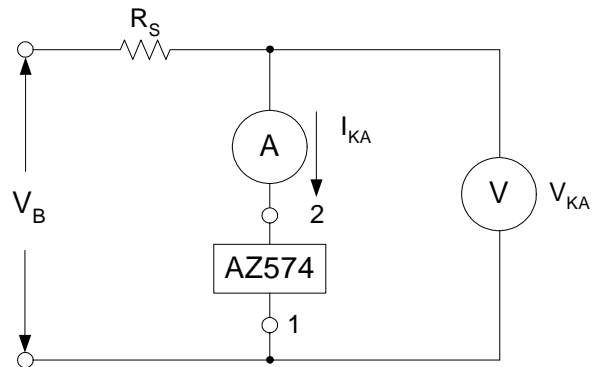
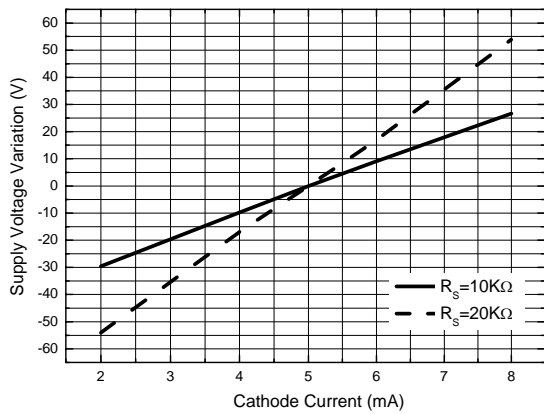


Figure 9. Supply Voltage Variation vs. Cathode Current



**33V HIGH PRECISE VOLTAGE REFERENCE**

**AZ574**

**Typical Application**

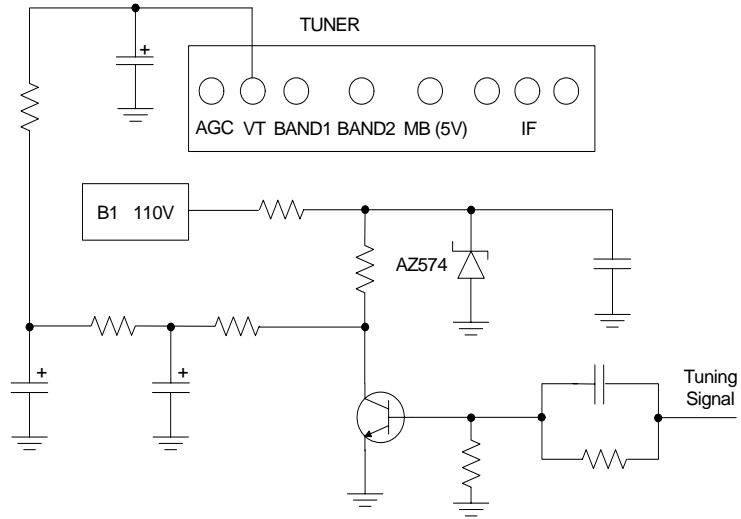


Figure 10. Typical Application of AZ574



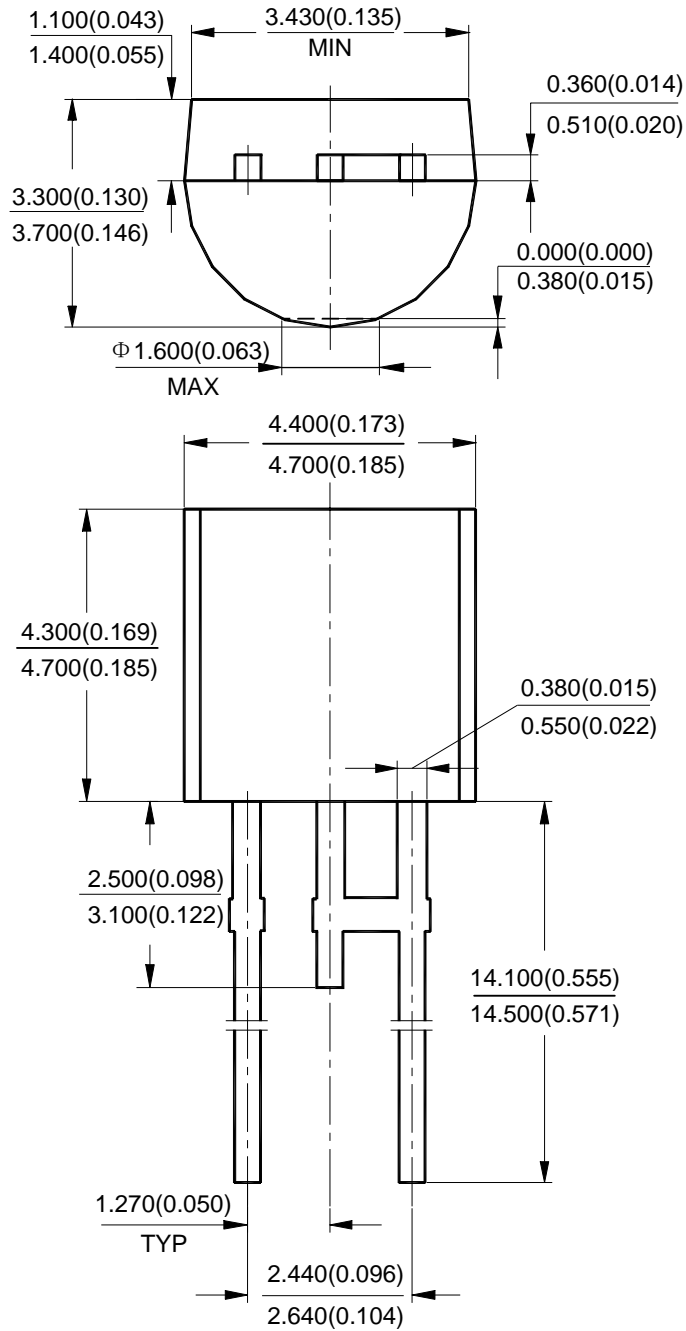
**33V HIGH PRECISE VOLTAGE REFERENCE**

**AZ574**

**Mechanical Dimensions**

**TO-92-2**

**Unit: mm(inch)**







BCD Semiconductor Manufacturing Limited

<http://www.bcdsemi.com>

#### IMPORTANT NOTICE

BCD Semiconductor Manufacturing Limited reserves the right to make changes without further notice to any products or specifications herein. BCD Semiconductor Manufacturing Limited does not assume any responsibility for use of any its products for any particular purpose, nor does BCD Semiconductor Manufacturing Limited assume any liability arising out of the application or use of any its products or circuits. BCD Semiconductor Manufacturing Limited does not convey any license under its patent rights or other rights nor the rights of others.

---

#### MAIN SITE

**BCD Semiconductor Manufacturing Limited**  
- Wafer Fab  
Shanghai SIM-BCD Semiconductor Manufacturing Limited  
800, Yi Shan Road, Shanghai 200233, China  
Tel: +86-21-6485 1491, Fax: +86-21-5450 0008

**BCD Semiconductor Manufacturing Limited**  
- IC Design Group  
Advanced Analog Circuits (Shanghai) Corporation  
8F, Zone B, 900, Yi Shan Road, Shanghai 200233, China  
Tel: +86-21-6495 9539, Fax: +86-21-6485 9673

#### REGIONAL SALES OFFICE

**Shenzhen Office**  
Shanghai SIM-BCD Semiconductor Manufacturing Co., Ltd. Shenzhen Office  
Advanced Analog Circuits (Shanghai) Corporation Shenzhen Office  
Room E, 5F, Noble Center, No.1006, 3rd Fuzhong Road, Futian District, Shenzhen 518026, China  
Tel: +86-755-8826 7951  
Fax: +86-755-8826 7865

**Taiwan Office**  
BCD Semiconductor (Taiwan) Company Limited  
4F, 298-1, Rui Guang Road, Nei-Hu District, Taipei,  
Taiwan  
Tel: +886-2-2656 2808  
Fax: +886-2-2656 2806

**USA Office**  
BCD Semiconductor Corporation  
30920 Huntwood Ave. Hayward,  
CA 94544, U.S.A  
Tel : +1-510-324-2988  
Fax: +1-510-324-2788