

Features

- SMD filter consisting of coupled resonators with stepped impedances
- (NdBa)TiO₃ ($\epsilon_r = 88$ / $TC_f = 0 \pm 10$ ppm/K) with a coating of copper (10 μ m) and tin (>5 μ m)
- Excellent reflow solderability, no migration effect due to copper/tin metallization

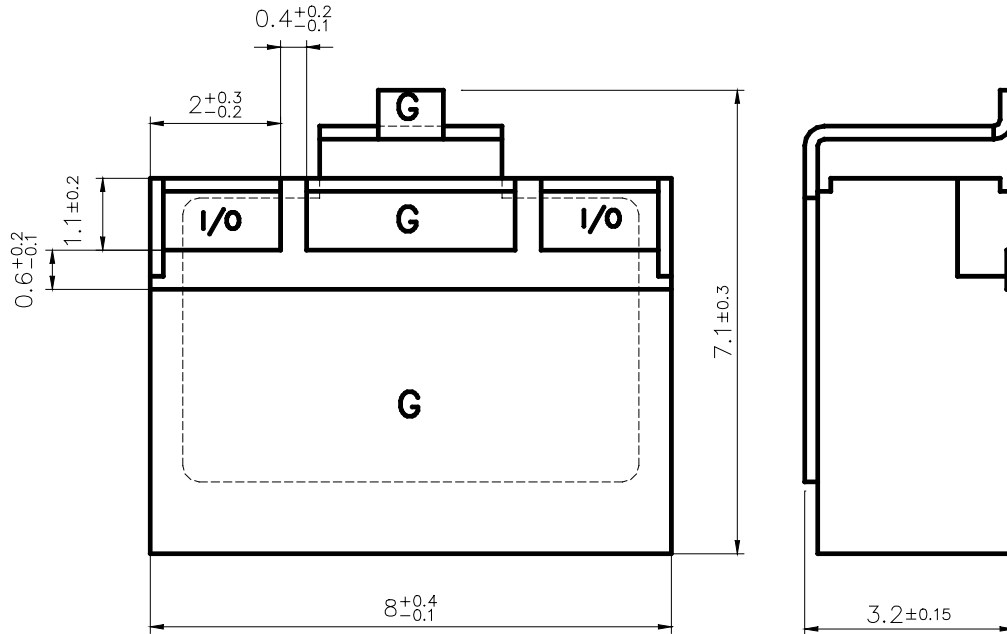
Index

- Page 2
 - Component drawing
 - Recommended footprint
- Page 3
 - Characteristics
 - Maximum ratings
 - Typical passband characteristic
- Page 4
 - Processing information
 - Soldering requirements
 - Delivery mode

ISSUE DATE	19.03.04	ISSUE	P5	PUBLISHER	SAW MWC PD	PAGE	1/4
------------	----------	-------	----	-----------	------------	------	-----

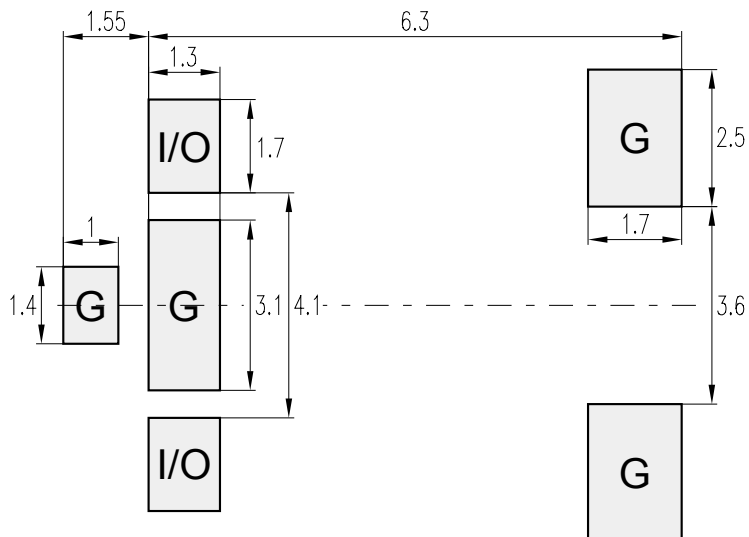
Preliminary Data Sheet

Component drawing



View from below onto the solder terminals and view from beside

Recommended footprint





Preliminary Data Sheet

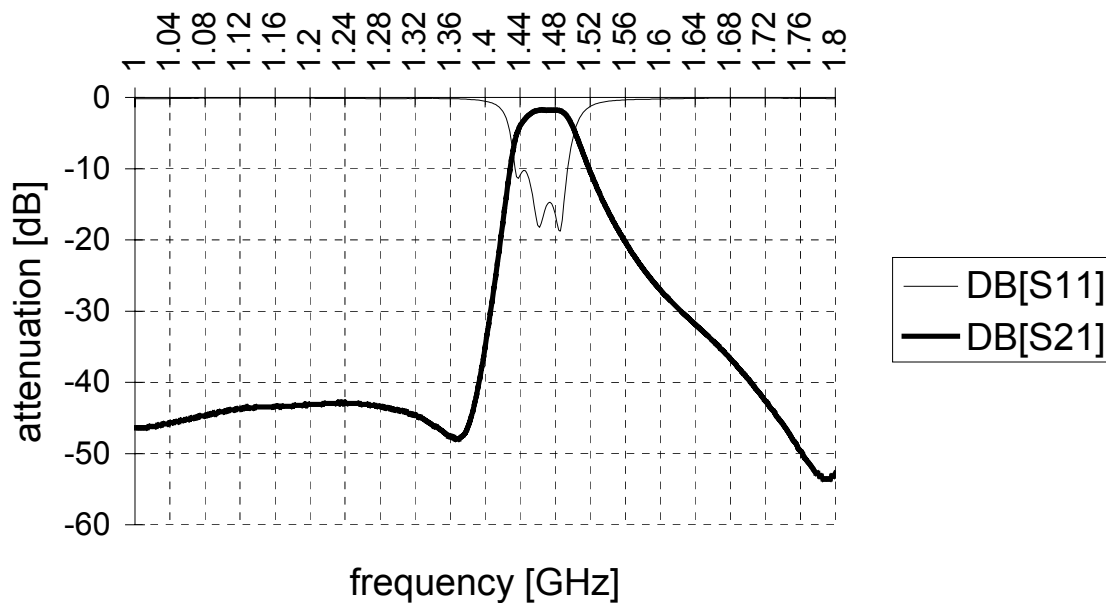
Characteristics

		min.	typ.	max.	
Center frequency	f_c	-	1472	-	MHz
Insertion loss	α_{IL}		1.8	2.3	dB
Passband	B	40			MHz
1dB Bandwidth			60		MHz
Amplitude ripple (peak - peak)	$\Delta\alpha$		0.3	1.0	dB
Standing wave ratio	SWR		1.5	2.0	
Impedance	Z		50		Ω
Attenuation	α				
	DC to 1262 MHz	40	47		dB
	at 1262 to 1350 MHz	30	35		dBc
	at 1350 to 1380 MHz	25	28		dB
	at 1380 to 1400 Mhz	15	18		dB
	at 1660 MHz	30	31		dBc

Maximum ratings

IEC climatic category (IEC 68-1)		- 40/+ 90/56	
Operating temperature	T_{op}	- 20 / + 85	$^{\circ}C$

Typical passband characteristic



3-Pole Filter for WSP

B69813N1477A840

Preliminary Data Sheet

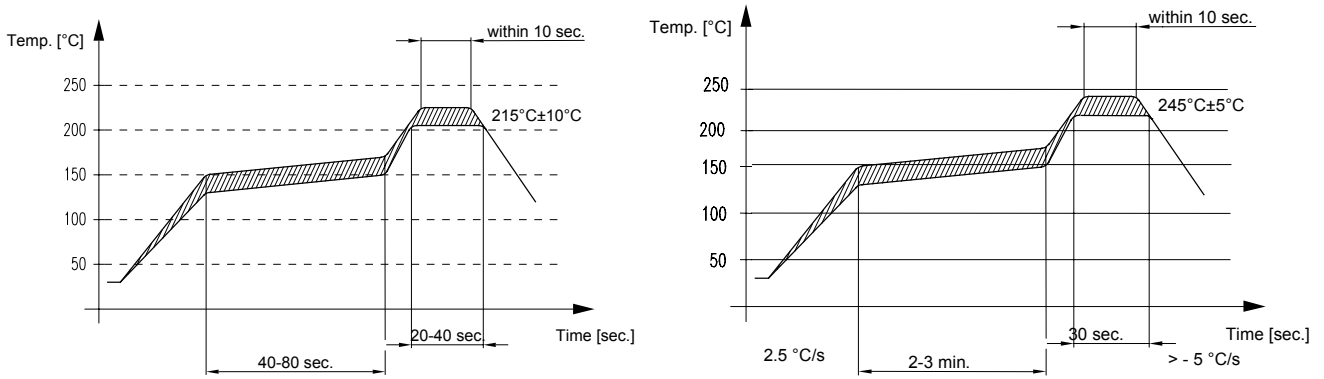
Processing information

- Wettability acc. to IEC 68-2-58: $\geq 75\%$ (after aging)

Soldering Requirements

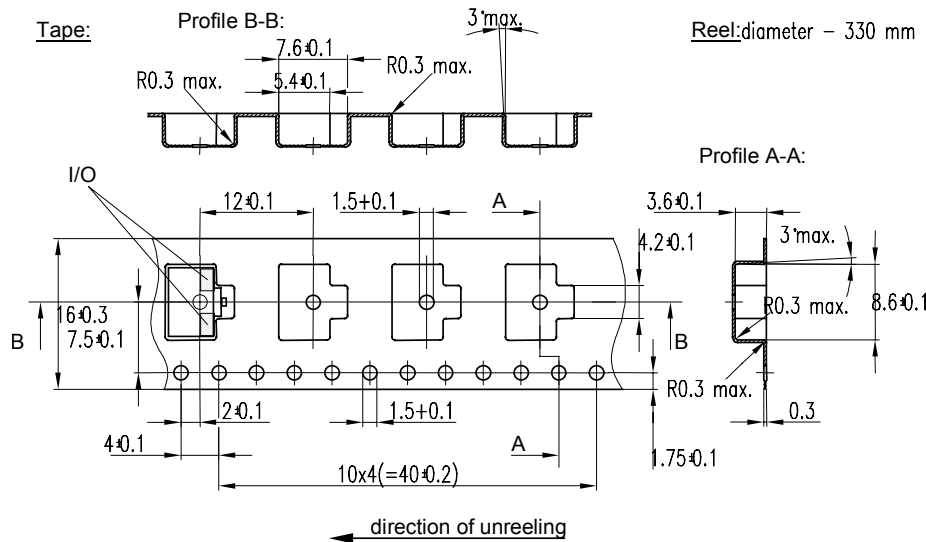
	Profile for eutectic SnPb solder paste	Profile for leadfree solder paste	
Soldering type	reflow	reflow	
Maximum soldering temperature (measuring point on top surface of the component)	235 (max. 2 sec.) 225 (max. 10 sec.)	260 (max. 2 sec.) 250 (max. 10 sec.)	°C °C

Recommended soldering conditions (infrared):



Delivery mode

- Blister tape to IEC 286-3, polystyrol, grey
- Pieces/tape: 1500



© EPCOS AG 2001. All Rights Reserved. Reproduction, publication and dissemination of this data sheet, enclosures hereto and the information contained therein without EPCOS' prior express consent is prohibited.

The information contained in this data sheet describes the type of component and shall not be considered as guaranteed characteristics. Purchase orders are subject to the General Conditions for the Supply of Products and Services of the Electrical and Electronics Industry recommended by the ZVEI (German Electrical and Electronic Manufacturers' Association), unless otherwise agreed.

ISSUE DATE	19.03.04	ISSUE	P5	PUBLISHER	SAW MWC PD	PAGE	4/4
------------	----------	-------	----	-----------	------------	------	-----