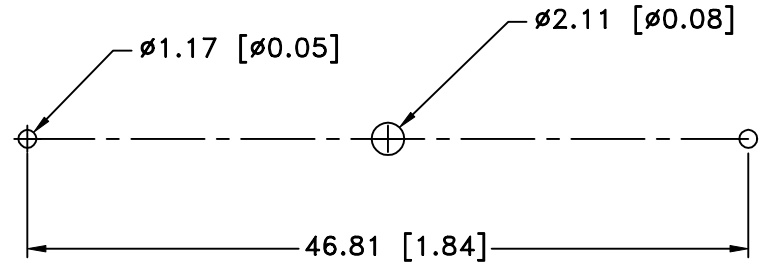
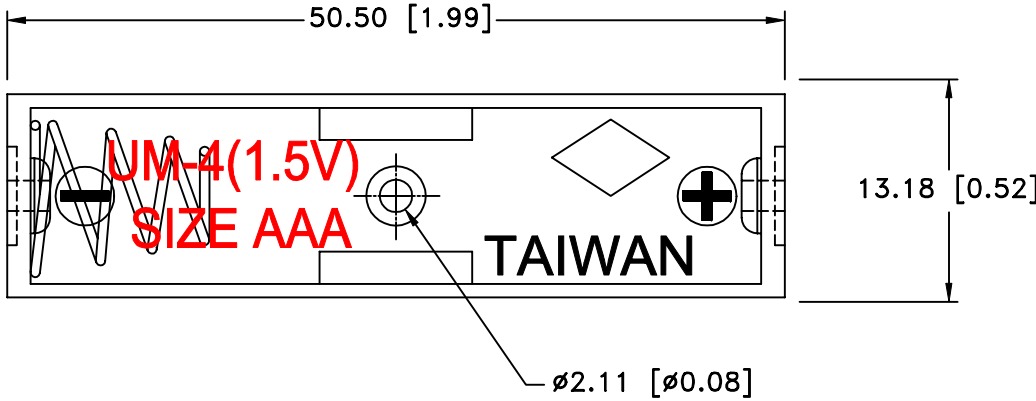
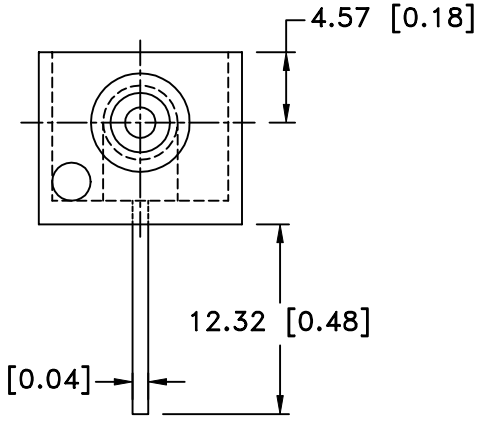
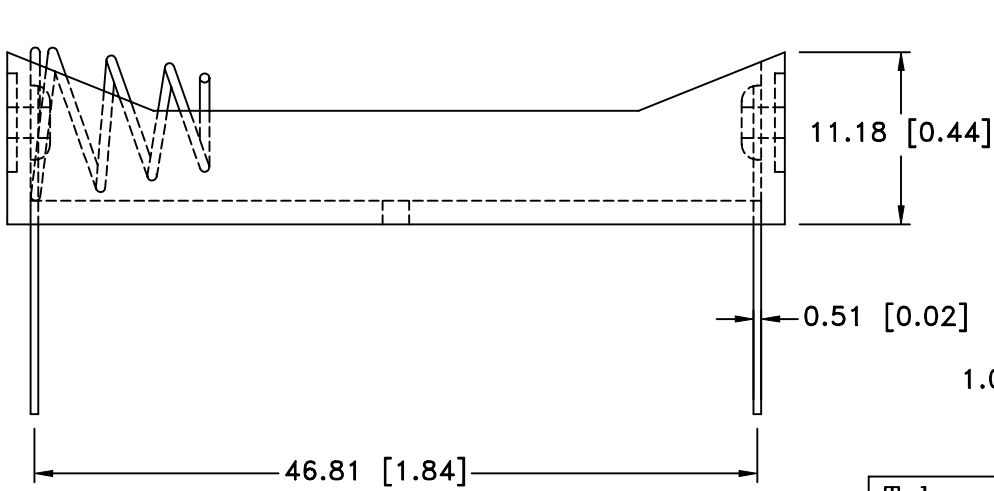


Date	SYM	REVISION RECORD	AUTH	DR.	CK.




PCB LAYOUT



NOTES:

- 1. MATERIAL:**
HOUSING : BLACK ABS
RIVETS: BRASS, NICKLE PLTD.
SPRING: SPRING STEEL, NICKLE PLTD.
CONTACTS: SPRING STEEL, NICKLE PLTD.

Tolerance (Except as noted)	 Memory Protection Devices, Inc 200 Broad Hollow Road, Farmingdale, New York 11735	Scale	Drawn By B.S.
			Approved By T.B.
decimal $\pm .5$ (.020)	Title ONE "AAA" CELL HOLDER	Date 08/01/01	
Fractional $\pm .8$ (.030)		Drawing Number BCAAAPC	
Angular $\pm 3^\circ$	Date 08/01/01		
Drawing Number BCAAAPC			