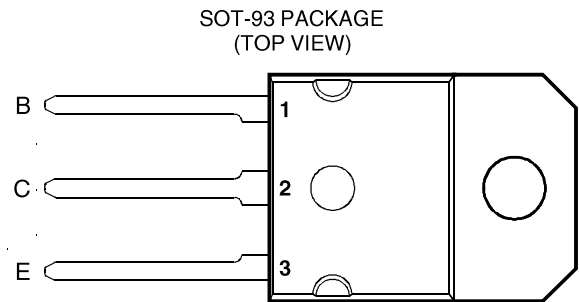


- Designed for Complementary Use with BDV65, BDV65A, BDV65B and BDV65C
- 125 W at 25°C Case Temperature
- 12 A Continuous Collector Current
- Minimum h_{FE} of 1000 at 4 V, 5 A



Pin 2 is in electrical contact with the mounting base.

absolute maximum ratings **at 25°C case temperature (unless otherwise noted)**

RATING		SYMBOL	VALUE	UNIT
Collector-base voltage ($I_E = 0$)	BDV64	V_{CBO}	-60	V
	BDV64A		-80	
	BDV64B		-100	
	BDV64C		-120	
Collector-emitter voltage ($I_B = 0$)	BDV64	V_{CEO}	-60	V
	BDV64A		-80	
	BDV64B		-100	
	BDV64C		-120	
Emitter-base voltage		V_{EBO}	-5	V
Continuous collector current		I_C	-12	A
Peak collector current (see Note 1)		I_{CM}	-15	A
Continuous base current		I_B	-0.5	A
Continuous device dissipation at (or below) 25°C case temperature (see Note 2)		P_{tot}	125	W
Continuous device dissipation at (or below) 25°C free air temperature (see Note 3)		P_{tot}	3.5	W
Operating junction temperature range		T_j	-65 to +150	°C
Storage temperature range		T_{stg}	-65 to +150	°C
Lead temperature 3.2 mm from case for 10 seconds		T_L	260	°C

NOTES: 1. This value applies for $t_p \leq 0.1$ ms, duty cycle $\leq 10\%$
 2. Derate linearly to 150°C case temperature at the rate of 0.56 W/°C.
 3. Derate linearly to 150°C free air temperature at the rate of 28 mW/°C.

BDV64, BDV64A, BDV64B, BDV64C

PNP SILICON POWER DARLINGTONS

electrical characteristics at 25°C case temperature (unless otherwise noted)

PARAMETER	TEST CONDITIONS	MIN	TYP	MAX	UNIT
$V_{(BR)CEO}$ Collector-emitter breakdown voltage	$I_C = -30 \text{ mA}$ $I_B = 0$ (see Note 4) BDV64 BDV64A BDV64B BDV64C	-60 -80 -100 -120			V
I_{CEO} Collector-emitter cut-off current	$V_{CB} = -30 \text{ V}$ $I_B = 0$ $V_{CB} = -40 \text{ V}$ $I_B = 0$ $V_{CB} = -50 \text{ V}$ $I_B = 0$ $V_{CB} = -60 \text{ V}$ $I_B = 0$ BDV64 BDV64A BDV64B BDV64C			-2 -2 -2 -2	mA
I_{CBO} Collector cut-off current	$V_{CB} = -60 \text{ V}$ $I_E = 0$ $V_{CB} = -80 \text{ V}$ $I_E = 0$ $V_{CB} = -100 \text{ V}$ $I_E = 0$ $V_{CB} = -120 \text{ V}$ $I_E = 0$ $V_{CB} = -30 \text{ V}$ $I_E = 0$ $T_C = 150^\circ\text{C}$ $V_{CB} = -40 \text{ V}$ $I_E = 0$ $T_C = 150^\circ\text{C}$ $V_{CB} = -50 \text{ V}$ $I_E = 0$ $T_C = 150^\circ\text{C}$ $V_{CB} = -60 \text{ V}$ $I_E = 0$ $T_C = 150^\circ\text{C}$ BDV64 BDV64A BDV64B BDV64C BDV64 BDV64A BDV64B BDV64C			-0.4 -0.4 -0.4 -0.4 -2 -2 -2 -2	mA
I_{EBO} Emitter cut-off current	$V_{EB} = -5 \text{ V}$ $I_C = 0$			-5	mA
h_{FE} Forward current transfer ratio	$V_{CE} = -4 \text{ V}$ $I_C = -5 \text{ A}$ (see Notes 4 and 5)	1000			
$V_{CE(sat)}$ Collector-emitter saturation voltage	$I_B = -20 \text{ mA}$ $I_C = -5 \text{ A}$ (see Notes 4 and 5)			-2	V
V_{BE} Base-emitter voltage	$V_{CE} = -4 \text{ V}$ $I_C = -5 \text{ A}$ (see Notes 4 and 5)			-2.5	V
V_{EC} Parallel diode forward voltage	$I_E = -10 \text{ A}$ $I_B = 0$ (see Notes 4 and 5)			-3.5	V

NOTES: 4. These parameters must be measured using pulse techniques, $t_p = 300 \mu\text{s}$, duty cycle $\leq 2\%$.

5. These parameters must be measured using voltage-sensing contacts, separate from the current carrying contacts.

thermal characteristics

PARAMETER	MIN	TYP	MAX	UNIT
$R_{\theta JC}$ Junction to case thermal resistance			1	$^\circ\text{C/W}$
$R_{\theta JA}$ Junction to free air thermal resistance			35.7	$^\circ\text{C/W}$

TYPICAL CHARACTERISTICS

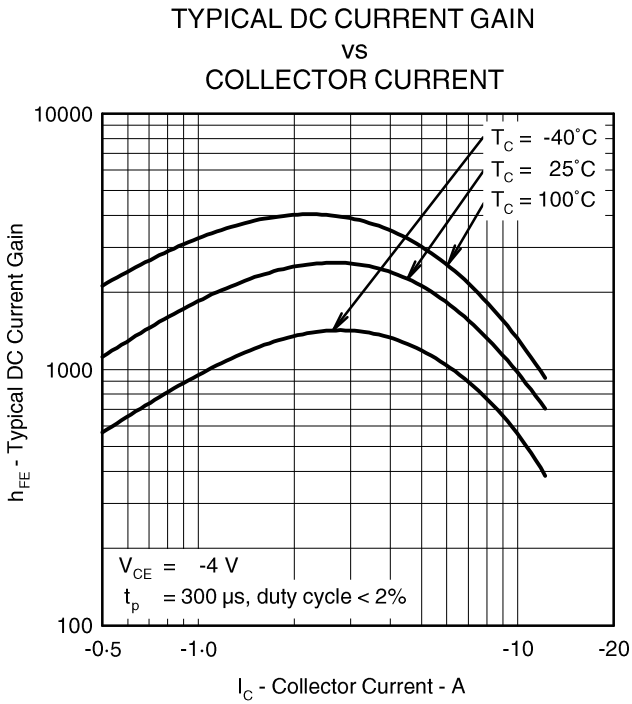


Figure 1.

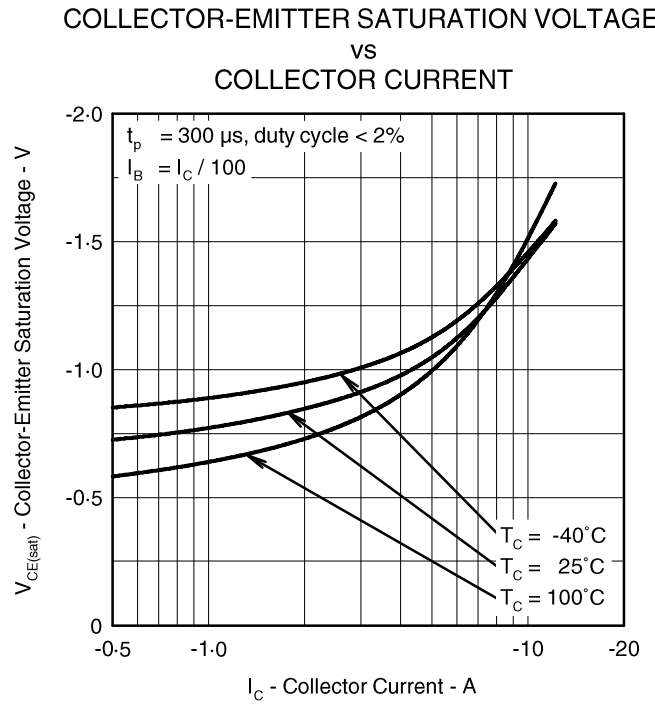


Figure 2.

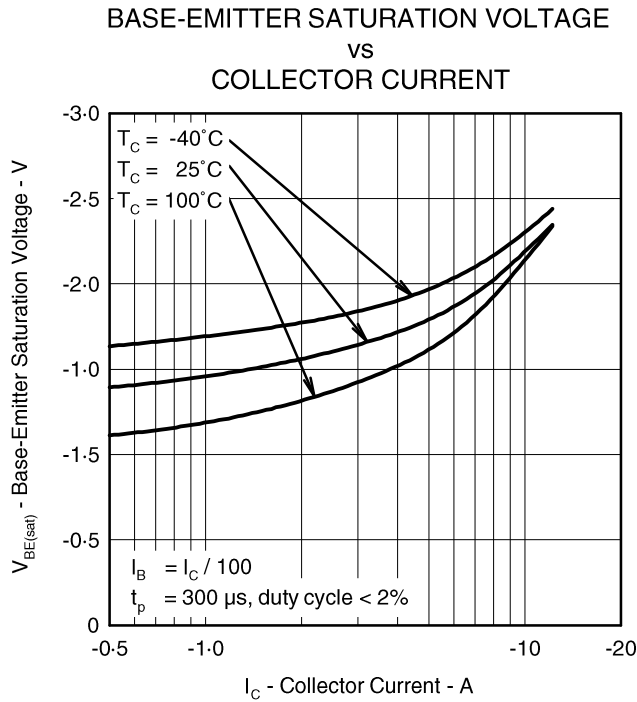


Figure 3.

BDV64, BDV64A, BDV64B, BDV64C
PNP SILICON POWER DARLINGTONS

THERMAL INFORMATION

MAXIMUM POWER DISSIPATION
vs
CASE TEMPERATURE

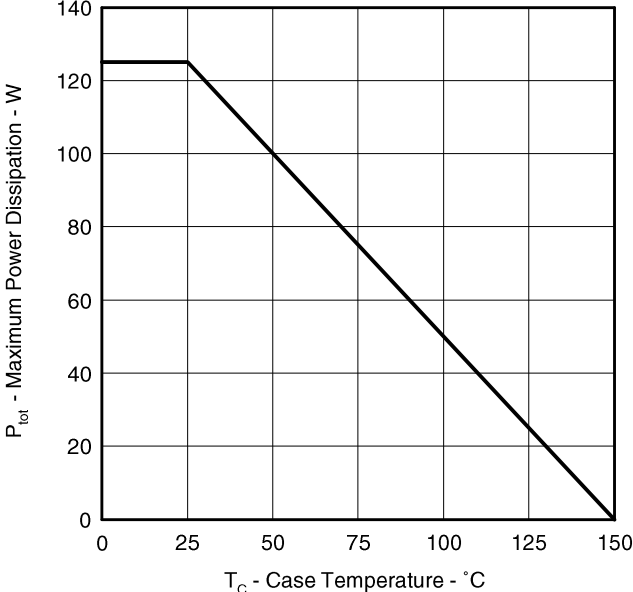


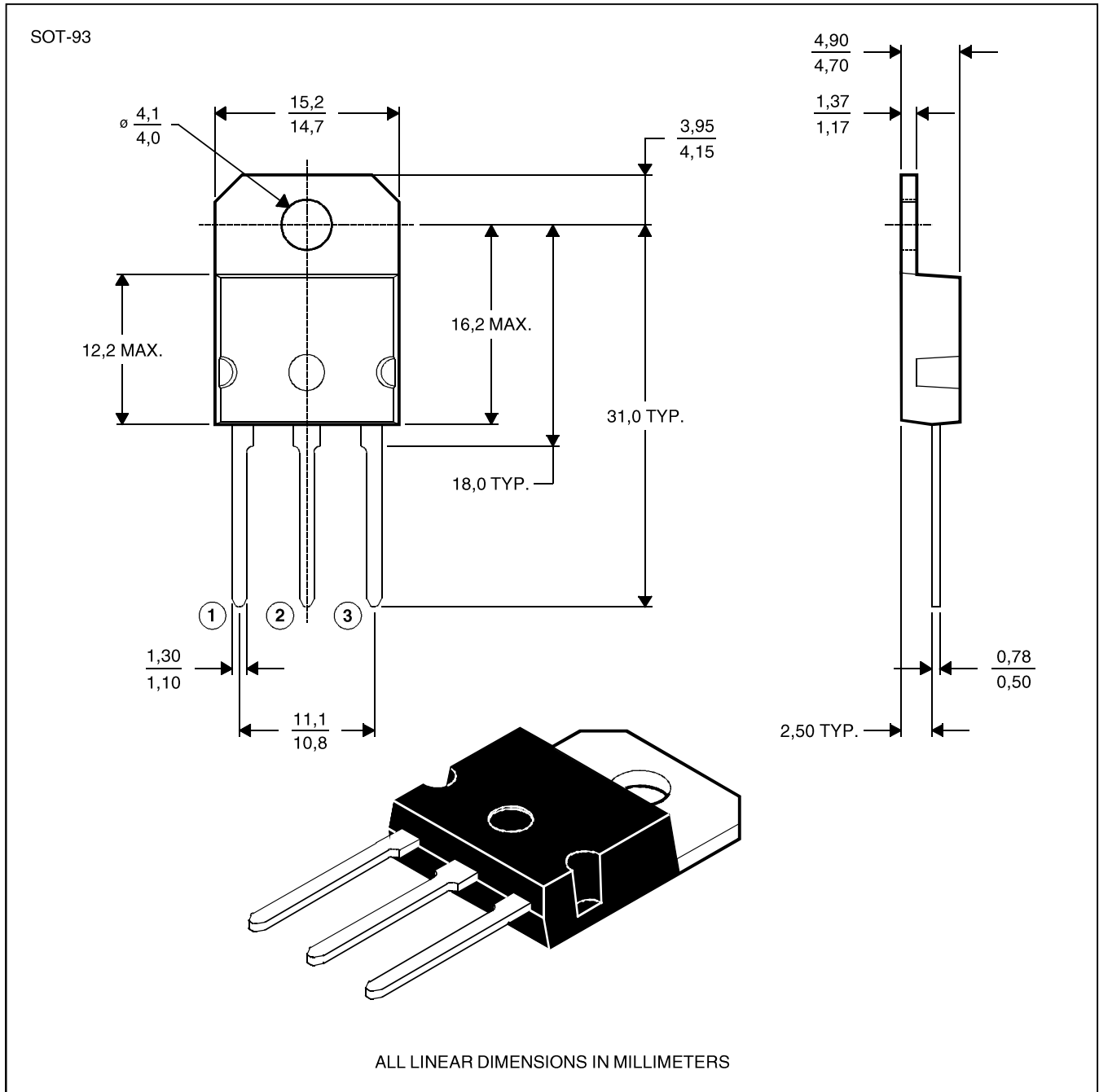
Figure 4.

MECHANICAL DATA

SOT-93

3-pin plastic flange-mount package

This single-in-line package consists of a circuit mounted on a lead frame and encapsulated within a plastic compound. The compound will withstand soldering temperature with no deformation, and circuit performance characteristics will remain stable when operated in high humidity conditions. Leads require no additional cleaning or processing when used in soldered assembly.



NOTE A: The centre pin is in electrical contact with the mounting tab.