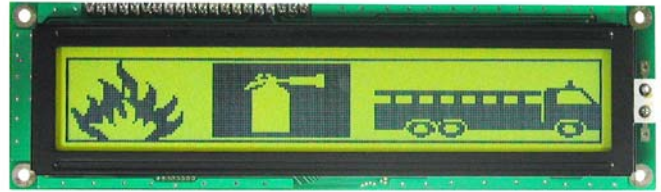


BG20232A



Feature

1. COB with metal frame
2. Built-in internal clock
3. Built-in controller SED1520D0a
4. 1/32 duty cycle
5. + 5V single power supply
6. Option: LED, EL B/L
7. Option: +3V single power supply



Mechanical Data

Item	Standard Value	Unit
Module Dimension	146.0 x 43.0	mm
Viewing Area	123.0 x 23.9	mm
Dot Size	0.57 x 0.57	mm
Dot Pitch	0.59 x 0.59	mm

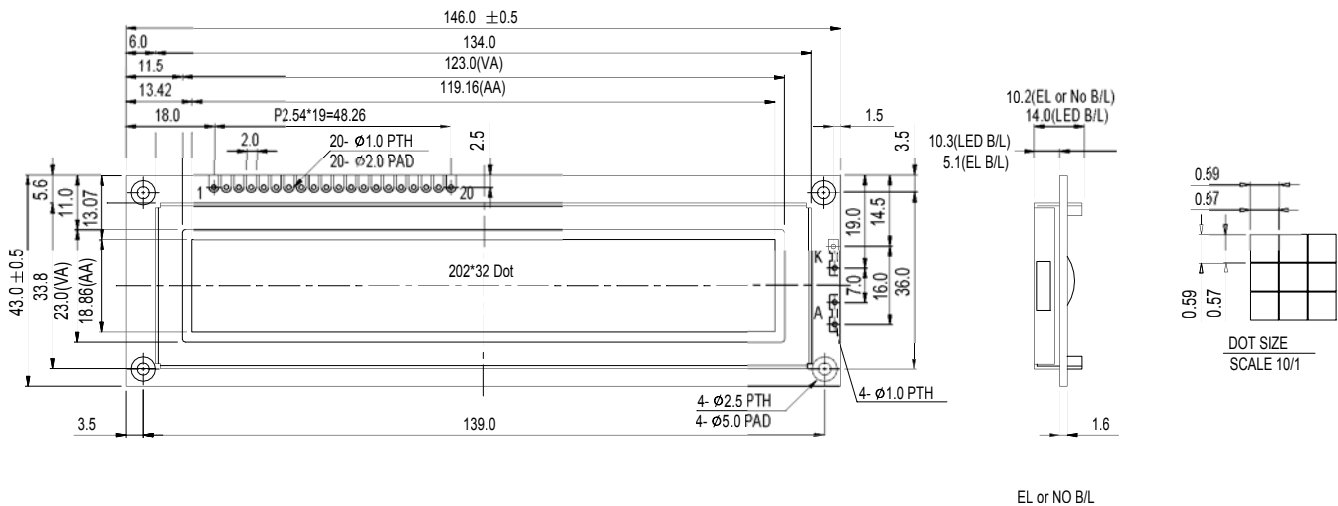
Pin Assignment

Pin	Symbol	Function
1	Vss	GND
2	Vdd	+5V(+3V option)
3	Vo	Contrast adjustment
4	Ao	Data / Instruction
5	/R/W	R/W signal
6	E1	Data latch for chip 1
7~14	DB0-7	Data bus line
15	Vee	Negative voltage output
16	/RST	Reset signal
17	A	Power supply for B/L (+)
18	K	Power supply for B/L (GND)
19	E2	Data latch for chip 2
20	E3	Data latch for chip 3

Electronic Characteristics

Item	Symbol	Condition	Typical Value	Unit
Input Voltage	Vdd	Vdd = +5V	5.0	V
Supply Current	Idd	Vdd = +5V	1.0	mA
LCD Driving Voltage	Vdd-Vo	25°C	4.7	V
LED Forward Voltage	Vf	25°C	4.2	V
LED Forward Current	If	25°C	300	mA
EL Power Voltage	Vel	Vel=110Vac/400Hz		V

Dimension



EL or NO B/L