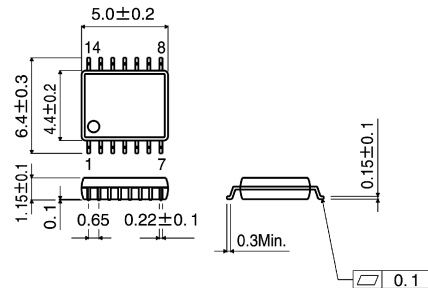


Line amplifier for CD-ROM/DVD-ROM **BH3527FV**

Description

The BH3527FV is a line amplifier that elevates the audio analog signal for CD-ROMs. The IC includes an output mute circuit to reduce POP noise caused by the power being turned OFF and ON.

Dimension(Units:mm)



SSOP-B14

Features

- 1) Built-in 2 line amplifiers (3.5dB)
- 2) Built-in output mute circuit
- 3) Few external components

Applications

CD-ROM, DVD-ROM, Game machines

Absolute Maximum Ratings(Ta=25°C)

Parameter	Symbol	Limits	Unit
Supply voltage	V _{MAX}	7.0	V
Power dissipation	P _d	400 *	mW
Operating temperature range	T _{opr}	-25 ~ +75	°C
Storage temperature range	T _{stg}	-55 ~ +125	°C

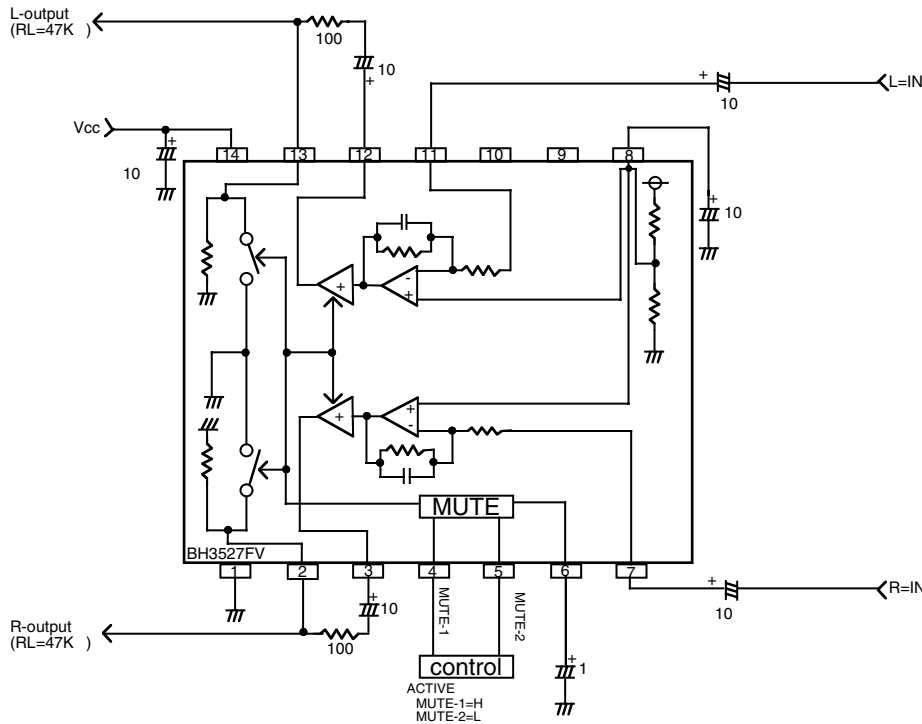
*Derating: 4.0mW/°C for operation above Ta=25°C.

Recommended Operating Conditions(Ta=25°C)

Parameter	Symbol	Min.	Typ.	Max.	Unit
Supply voltage	V _{CC}	3.5	-	5.5	V
Load resistance	R _L	-	47	-	kΩ

Parameter	Symbol	Min.	Typ.	Max.	Unit	Conditions
Quiescent current	Iq	2.0	3.4	6.0	mA	Vo=0Vrms
Mute terminal "H" level voltage	VMH	2.4	-	-	V	
Mute terminal "L" level voltage	VML	-	-	0.8	V	
Mute terminal source current	IMH	-	42.0	90.0	A	Vm=5.0V (mode: High)
Mute terminal source current	IML	-90.0	-39.0	-	A	Vm=0.3V (mode: Low)
Voltage gain	Gvc	2.4	3.4	4.4	dB	Vo=1.0V
Differential channel voltage gain	Δ Gvc	-0.5	0.0	0.5	dB	Vo=1.0V
Total harmonic distortion	THD	-	0.016	0.03	%	
Maximum output voltage	VoMAX	0.7	1.0	-	Vrms	THD=0.01%
Output noise voltage	VNO	-	15	30	V	DIN Audio
Channel separation	CS	85	100	-	dB	
Mute attenuation	ATT	65	77	-	dB	
Ripple rejection rate	RR	45	55	-	dB	VRR=-20dBV, 100Hz
Input resistance	RIN	50	65	75	k	

Application circuit



Notes

- No technical content pages of this document may be reproduced in any form or transmitted by any means without prior permission of ROHM CO.,LTD.
- The contents described herein are subject to change without notice. The specifications for the product described in this document are for reference only. Upon actual use, therefore, please request that specifications to be separately delivered.
- Application circuit diagrams and circuit constants contained herein are shown as examples of standard use and operation. Please pay careful attention to the peripheral conditions when designing circuits and deciding upon circuit constants in the set.
- Any data, including, but not limited to application circuit diagrams information, described herein are intended only as illustrations of such devices and not as the specifications for such devices. ROHM CO.,LTD. disclaims any warranty that any use of such devices shall be free from infringement of any third party's intellectual property rights or other proprietary rights, and further, assumes no liability of whatsoever nature in the event of any such infringement, or arising from or connected with or related to the use of such devices.
- Upon the sale of any such devices, other than for buyer's right to use such devices itself, resell or otherwise dispose of the same, no express or implied right or license to practice or commercially exploit any intellectual property rights or other proprietary rights owned or controlled by
- ROHM CO., LTD. is granted to any such buyer.
- Products listed in this document use silicon as a basic material.
Products listed in this document are no antiradiation design.

The products listed in this document are designed to be used with ordinary electronic equipment or devices (such as audio visual equipment, office-automation equipment, communications devices, electrical appliances and electronic toys).

Should you intend to use these products with equipment or devices which require an extremely high level of reliability and the malfunction of which would directly endanger human life (such as medical instruments, transportation equipment, aerospace machinery, nuclear-reactor controllers, fuel controllers and other safety devices), please be sure to consult with our sales representative in advance.

About Export Control Order in Japan

Products described herein are the objects of controlled goods in Annex 1 (Item 16) of Export Trade Control Order in Japan.

In case of export from Japan, please confirm if it applies to "objective" criteria or an "informed" (by MITI clause) on the basis of "catch all controls for Non-Proliferation of Weapons of Mass Destruction.