

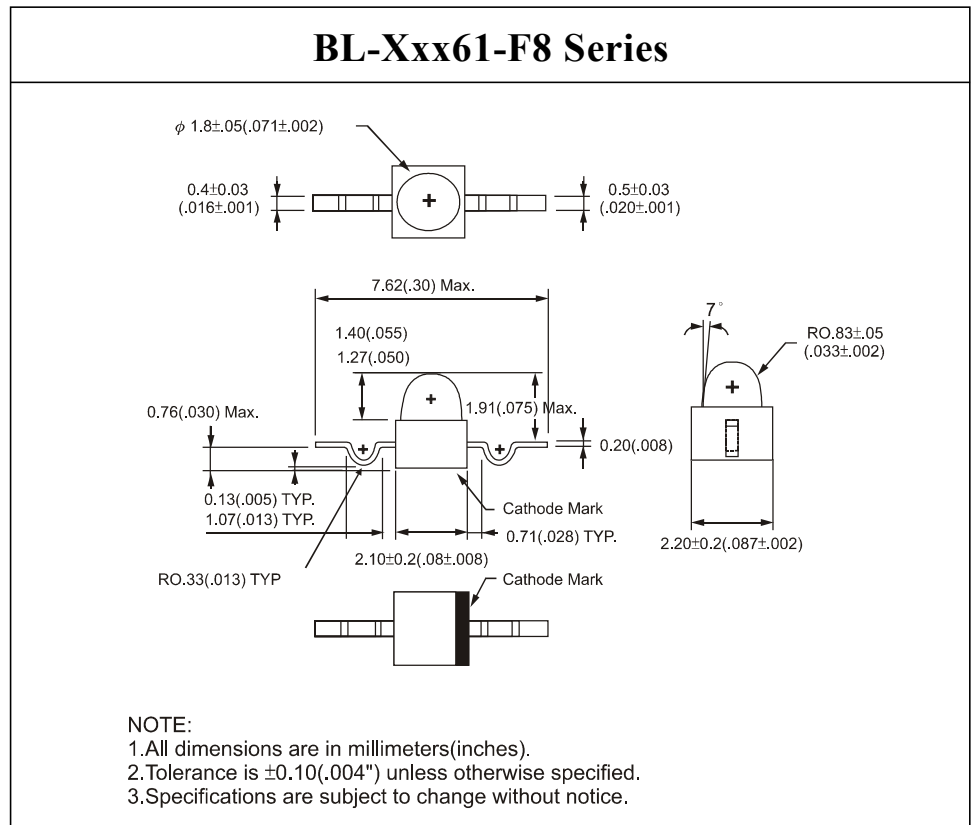


AXIAL LED LAMPS WITH "YOKE" LEAD



Absolute Maximum Ratings (Ta=25°C)

| | UNIT | SPEC. |
|------|------|-----------|
| IF | mA | 30 |
| IFp | mA | 100 |
| VR | V | 5 |
| Topr | °C | -25 ~ +80 |
| Tstg | °C | -30 ~ +85 |



| Part No. | Chip | | | | Lens Appearance | Electro-optical Data (At 20mA) | | | | Viewing Angle 2 θ 1/2 (deg) |
|--------------|-------------|--------------------|------------|------------|-----------------|--------------------------------|------|----------|-------|-----------------------------------|
| | Material | Emitted Color | λp (nm) | λd (nm) | | Vf (V) | | Iv (mcd) | | |
| | | | | | | Typ. | Max. | Min. | Typ. | |
| BL-XE1361-F8 | GaAsP/GaP | Hi-Eff Red | 640 | 628 | Water Clear | 2.0 | 2.6 | 18.5 | 40.0 | 35° |
| BL-XS1361-F8 | GaAlAs/GaAs | Super Red | 660 | 643 | | 1.7 | 2.6 | 28.0 | 60.0 | |
| BL-XD0316-F8 | GaAlAs/GaAs | Super Red | 660 | 643 | | 1.8 | 2.6 | 28.0 | 75.0 | |
| BL-XF0361-F8 | GaAlAs | Super Red | 660 | 643 | | 2.1 | 2.6 | 42.0 | 100.0 | |
| BL-XUB361-F8 | AlGaInP | Super Red | 645 | 632 | | 2.1 | 2.6 | 42.0 | 100.0 | |
| BL-XJB361-F8 | AlGaInP | Super Orange Red | 620 | 615 | | 2.0 | 2.6 | 63.0 | 150.0 | |
| BL-XJD361-F8 | AlGaInP | Super Orange Red | 630 | 625 | | 2.1 | 2.6 | 63.0 | 150.0 | |
| BL-XG0361-F8 | GaP/GaP | Yellow Green | 568 | 571 | | 2.1 | 2.6 | 18.5 | 45.0 | |
| BL-XX1361-F8 | GaP/GaP | Hi-Eff Green | 568 | 570 | | 2.2 | 2.6 | 28.0 | 55.0 | |
| BL-XW1361-F8 | GaP/GaP | Pure Green | 557 | 563 | | 2.2 | 2.6 | 5.5 | 15.0 | |
| BL-XGE361-F8 | AlGaInP | Super Yellow Green | 570 | 570 | | 2.0 | 2.6 | 42.0 | 80.0 | |
| BL-XG4361-F8 | InGaN | Bluish Green | 505 | 505 | | 3.5 | 4.0 | 94.0 | 250.0 | |
| BL-XG6361-F8 | InGaN | Green | 525 | 525 | | 3.5 | 4.0 | 94.0 | 300.0 | |
| BL-XY0361-F8 | GaAsP/GaP | Yellow | 583 | 585 | | 2.1 | 2.6 | 12.3 | 30.0 | |
| BL-XKB361-F8 | AlGaInP | Super Yellow | 590 | 587 | | 2.1 | 2.6 | 94.0 | 200.0 | |
| BL-XKD361-F8 | AlGaInP | Super Yellow | 595 | 594 | | 2.1 | 2.6 | 94.0 | 200.0 | |
| BL-XA1361-F8 | GaAsP/GaP | Amber | 610 | 610 | | 2.2 | 2.6 | 5.5 | 15.0 | |
| BL-XJF361-F8 | AlGaInP | Super Amber | 610 | 605 | | 2.0 | 2.6 | 63.0 | 150.0 | |

| Part No. | Chip | | | | Lens Appearance | Electro-optical Data (At 5mA) | | | | Viewing Angle 2 θ 1/2 (deg) |
|--------------|----------|---------------|------------|------------|-----------------|-------------------------------|------|----------|------|-----------------------------------|
| | Material | Emitted Color | λp (nm) | λd (nm) | | Vf (V) | | Iv (mcd) | | |
| | | | | | | Typ. | Max. | Min. | Typ. | |
| BL-XB3361-F8 | AllnGaN | Super Blue | 460 | 465-470 | Water Clear | 2.8 | 3.2 | 28.0 | 60.0 | 35° |
| BL-XB5361-F8 | AllnGaN | Super Blue | 470 | 470-475 | | 2.8 | 3.2 | 28.0 | 70.0 | |