

2.50mm (0.098") PITCH CONNECTOR

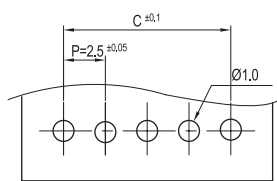
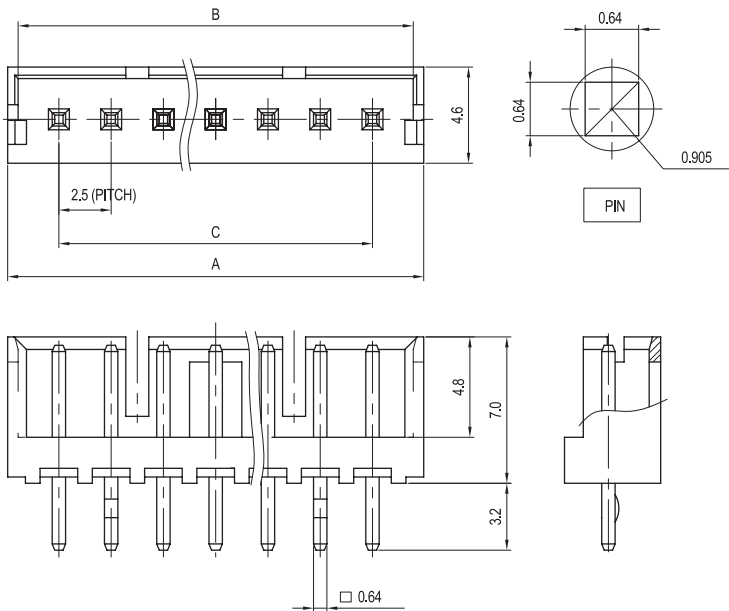
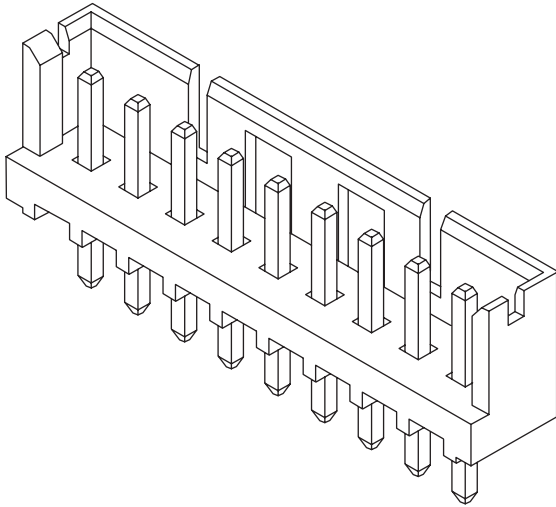


**Board-to-Board
Wafer**

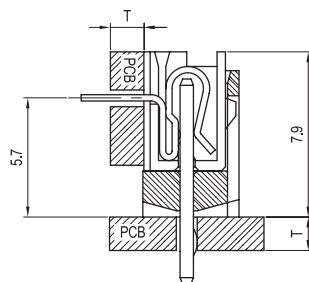
BMW250 Series

DIP

Straight



PCB LAYOUT



PCB ASS'Y

Material

I/NO	DESCRIPTION	TITLE	MATERIAL
1	WAFER	BMW250	PA66, UL94 V Grade
2	PIN		Brass & Tin-Plated

Available Pin

PARTS NO.	DIM. A	DIM. B	DIM. C
BMW250-03	9.9	8.9	5.0
BMW250-04	12.4	11.4	7.5
BMW250-05	14.9	13.9	10.0
BMW250-06	17.4	16.4	12.5
BMW250-07	19.9	18.9	15.0
BMW250-08	22.4	21.4	17.5
BMW250-09	24.9	23.9	20.0
BMW250-10	27.4	26.4	22.5
BMW250-11	29.9	28.9	25.0
BMW250-12	32.4	31.4	27.5
BMW250-13	34.9	33.9	30.0

Specification

ITEM	SPEC
Voltage Rating	AC/DC 250V
Current Rating	AC/DC 2A
Operating Temperature	-25°C~+85°C
Contact Resistance	30mΩ MAX
Withstanding Voltage	AC1000V/1min
Insulation Resistance	1000MΩ MIN
Applicable Wire	-
Applicable P.C.B	1.2~1.6mm
Applicable FPC/FFC	-
Solder Height	-
Crimp Tensile Strength	-
UL FILE NO	-