

Smart Battery Module with LEDs and Pack Supervisor

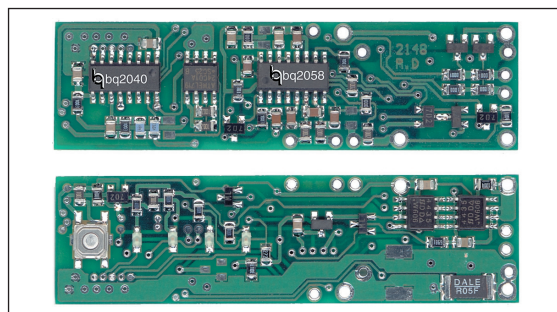
Features

- Complete smart battery management solution for Li-Ion battery packs
- Accurate measurement of available battery capacity
- Provides overvoltage, undervoltage, and overcurrent protection
- Designed for battery pack integration:
 - Small size
 - Includes bq2040 and bq2058 ICs, and configuration EEPROM
 - On-board charge and discharge control FETs
 - Low operating current for minimal battery drain
- Critical battery information available over two-wire serial port
- "L" version includes 4 push-button activated LEDs to display state-of-charge information

General Description

The bq2148 Smart Battery Module provides a complete and compact battery management solution for Li-Ion battery packs. Designed for battery pack integration, the bq2168 combines the bq2040H Gas Gauge IC with the bq2058 Supervisor IC on a small printed circuit board. The board includes all the necessary components to accurately monitor battery capacity and protect the cells from overvoltage, undervoltage, and overcurrent conditions. The board works with three or four Li-Ion series cells.

The Gas Gauge IC uses the on-board sense resistor to track charge and discharge activity of the battery pack. Critical battery information can be accessed through the serial communications port at SMBC/SMBD. The bq2148 uses the SMBus communications protocol and supports the Smart Battery Data Commands in the SBD specification. The supervisor circuit consists of the bq2058 and two FETs. The bq2058 controls the FETs to protect the batteries during charge/discharge cycles and short circuit conditions. The bq2168 provides contacts for the positive and negative terminals of each battery in the stack. Please refer to the bq2040 and bq2058 data sheets for the specifics on the operation of the power gauge and supervisor ICs.



Unitrode configures the bq2168 based on the information requested in Table 1. The configuration defines all the EEPROM parameters and the protection threshold. Figure 1 shows how the module connects to the cells.

The bq2148L includes four LEDs to display remaining capacity in 25% increments of the learned capacity. The LEDs are activated with the onboard push-button switch.

A module development kit is also available for the bq2148. The bq2148B-KT or the bq2148LB-KT includes one configured module and the following:

- 1) An EV2200-40 interface board that allows connection to the serial port of any AT-compatible computer.
- 2) Menu driven software to display charge/discharge activity and to allow user interface to the bq2040 from any standard Windows 3.1x or 95 PC.

Pin Descriptions

POS	PACK+/Pack positive
NEG	PACK-/Pack negative
SMBC	Communications clock
SMBD	Serial data
ITEST	Overcurrent test input
B1P	Battery 1 positive input
B1N	Battery 1 negative input
B2N	Battery 2 negative input
B3N	Battery 3 negative input
B4N	Battery 4 negative input

Table 1. bq2148 Module Configuration

Customer Name: _____			
Contact: _____		Phone: _____	
Address: _____			
Sales Contact: _____		Phone: _____	
Board Configuration			
LEDs and switch	_____	Yes or No	
Display mode	_____	Relative or Absolute	
Discharge current (3.9A max.)	Min _____	Avg _____	Max _____
Duration at max. discharge	_____		
Overvoltage threshold (4.25, 4.30, or 4.35V)	_____		
Number of series cells	_____		
EEPROM Configuration			Typical Values
Remaining time alarm (min)	_____	Sets the low time alarm level	10 min
Remaining capacity alarm (mAh)	_____	Sets the low capacity alarm level	C/10
Charging voltage (mV)	_____	Sets the requested charging voltage	4.1V/cell
Design capacity (mAh)	_____	Defines the battery pack capacity	3600
Design voltage (mV)	_____	Defines the battery pack voltage	10800
Manufacturer date	_____	Battery pack manufacturer date	mm/dd/yy
Serial number	_____	Battery pack serial number	0-65535
Fast-charging current (mA)	_____	Sets the requested charging current	1C
Maintenance charging current (mA)	_____	Sets the requested maintenance charging current	0
Li-Ion taper current (mA)	_____	Sets the upper limit for charge termination	C/10
Maximum overcharge (mAh)	_____	Sets the maximum amount of overcharge	128mAh
Maximum temperature (°C)	_____	Sets the maximum charge temperature	61°C
$\Delta T/\Delta t$ (°C/min)	_____	Sets the termination rate	4.6°C/20s
Fast-charge efficiency (%)	_____	Sets the fast-charge efficiency factor	100%
Maintenance charge efficiency (%)	_____	Sets the maintenance charge efficiency factor	100%
Self-discharge rate (%/day)	_____	Sets the battery's self-discharge rate	0.2%/day
EDV1 (mV)	_____	Sets the initial end-of-discharge warning	3.0V/cell
EDVF (mV)	_____	Sets the final end-of-discharge warning	2.8V/cell
Hold-off timer for $\Delta T/\Delta t$ (sec.)	_____	Sets the hold off period for $\Delta T/\Delta t$ termination	320s
Manufacturer name	_____	Programs manufacturer's name (11 char. max)	bq
Device name	_____	Programs device name (7 char. max)	bq202
Chemistry	_____	Programs pack's chemistry (5 char. max)	LION
Manufacturer data	_____	Open field (5 char. max)	2040
FAE approval: _____			Date: _____

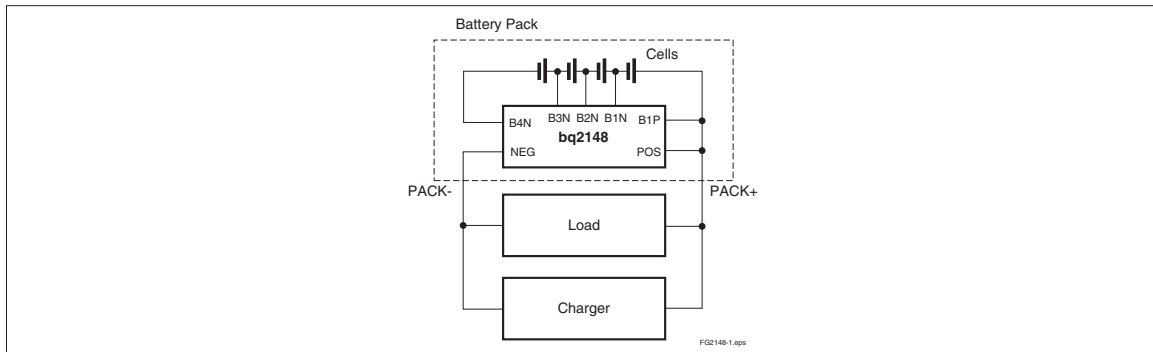


Figure 1. Module Connection Diagram

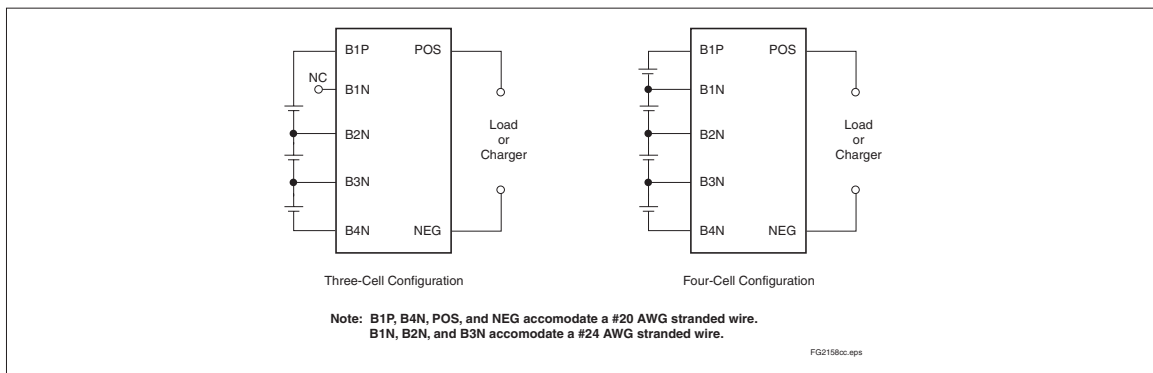


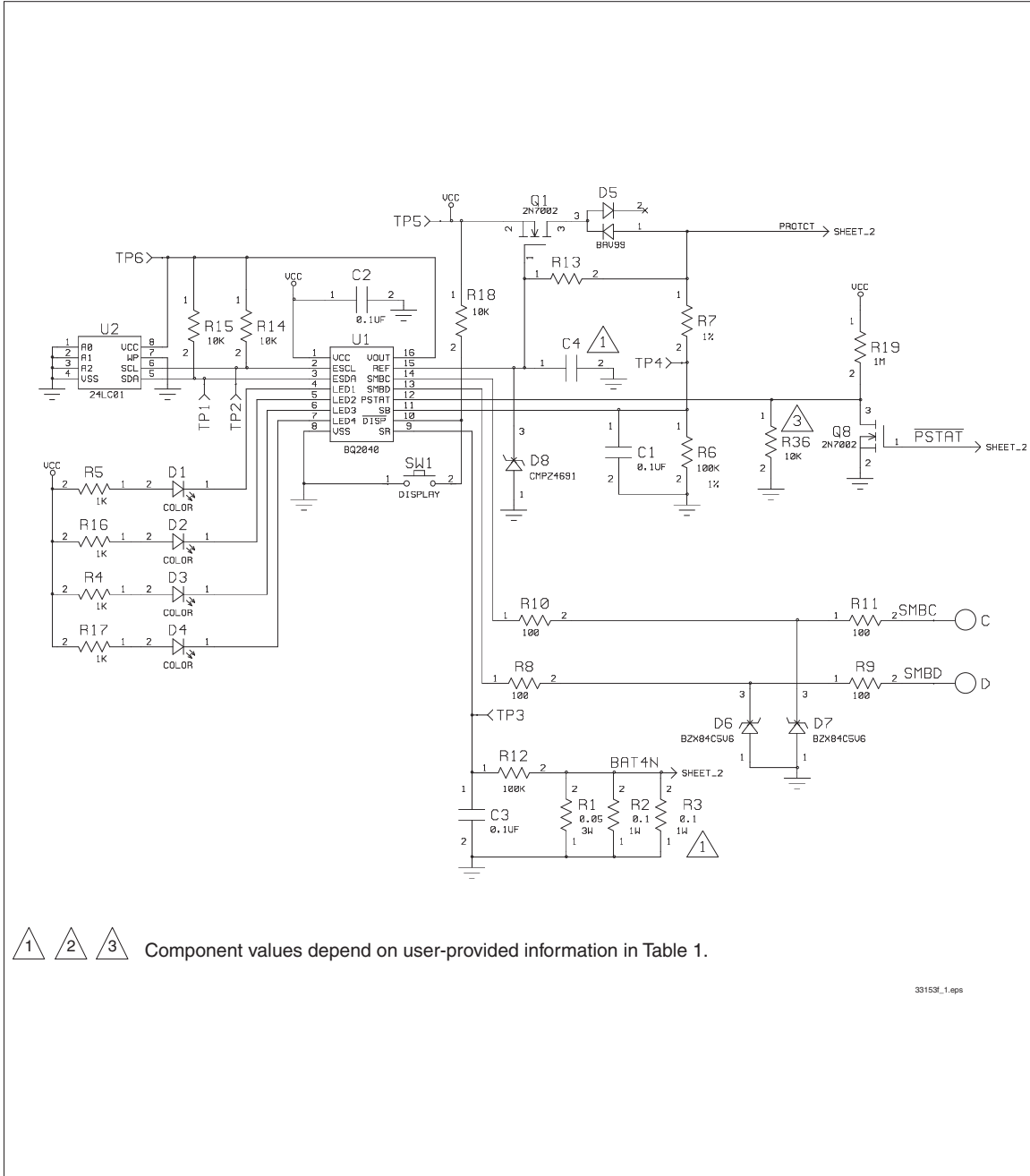
Figure 1. Module Connection Diagram

Absolute Maximum Ratings

Symbol	Parameter	Value	Unit	Conditions
V _{OP}	Supply voltage (B1P to B4N)	18	V	DC
V _{TR}	Maximum transient voltage (B1P to B4N)	32	V	Maximum duration = 1.5μs
V _{CHG}	Charging voltage (POS to NEG)	18	V	
I _{CHG}	Continuous charge/discharge current	3.9	A	V _{OP} > 6V T _A = 25°C
T _{OPR}	Operating temperature	0 to +70	°C	
T _{STG}	Storage temperature	-55 to +125	°C	

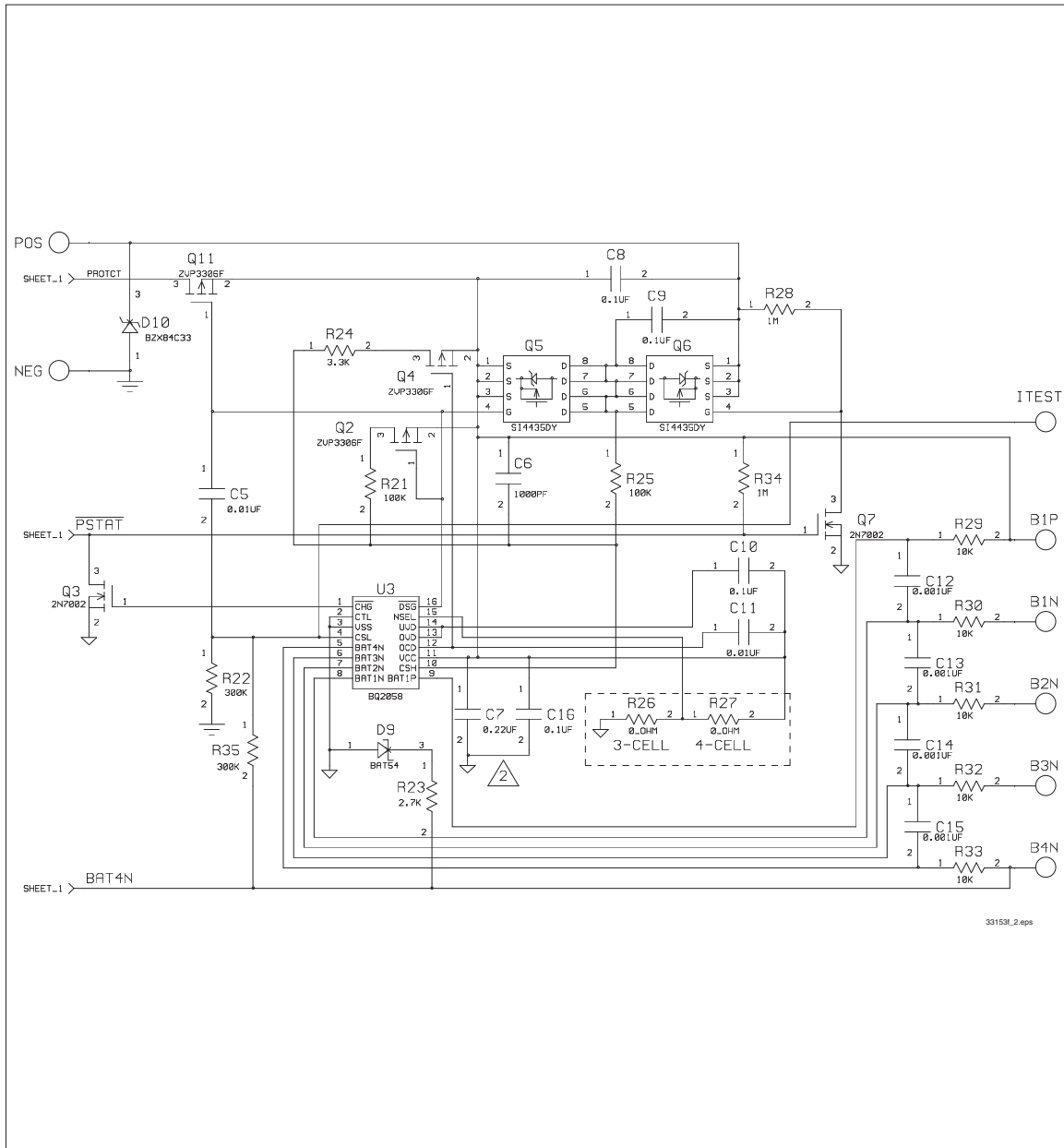
Note: Permanent device damage may occur if **Absolute Maximum Ratings** are exceeded. Functional operation should be limited to the Recommended DC Operating Conditions detailed in this data sheet. Exposure to conditions beyond the operational limits for extended periods of time may affect device reliability.

bq2148 Schematic

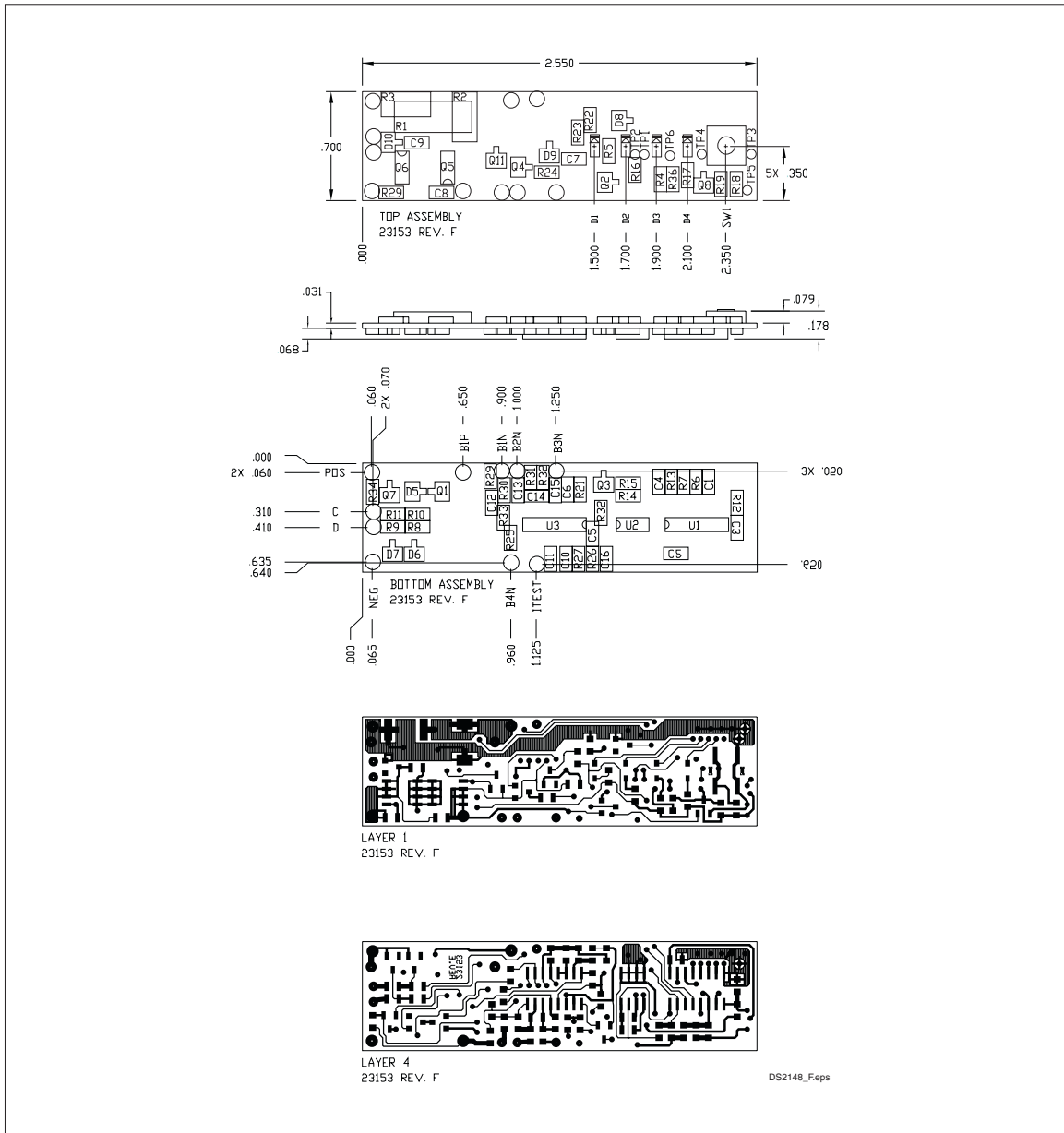


bq2148 Preliminary

bq2148 Schematic (Continued)



bq2148 Board



DC Electrical Characteristics ($T_A = T_{OPR}$)

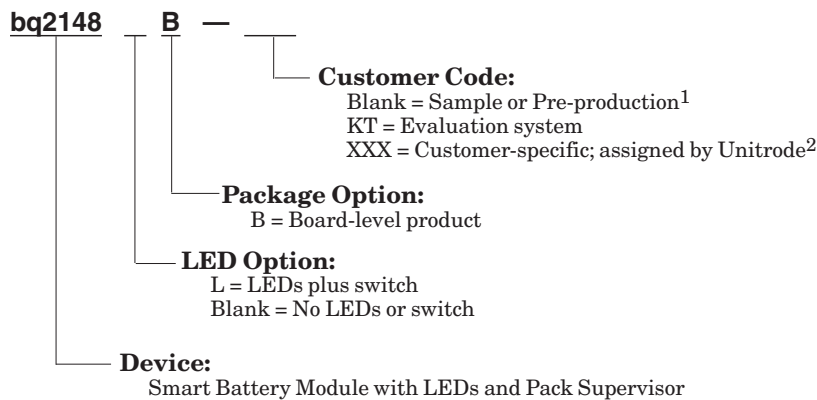
Symbol	Parameter	Minimum	Typical	Maximum	Unit	Conditions/Notes
V _{OP}	Operating voltage, B1P to B4N	4.0	-	18	V	
I _{CCA}	Operating current	-	-	350	μA	
R _{ON}	On resistance, B1P to POS	-	-	50	mΩ	T _A = 25°C, V _{OP} = 10V

DC Thresholds ($T_A = T_{OPR}$)

Symbol	Parameter	Value	Tolerance	Unit	Notes
V _{OV}	Overvoltage threshold	4.25	± 50mV	V	
V _{CE}	Charge enable voltage	V _{OV} - 100mV	± 50mV	V	
V _{UV}	Undervoltage limit	2.25	± 100mV	V	
I _{OC}	Overcurrent limit	3.4		A	T _A = 25°C
		3.8		A	T _A = 60°C
t _{UVD}	Undervoltage delay	950	±50%	ms	T _A = 30°C
V _{CD}	Charge detect threshold	70	-60, +80	mV	
t _{OVD}	Overvoltage delay	950	±50%	ms	T _A = 30°C
t _{OCD}	Overcurrent delay	12	±60%	ms	T _A = 30°C

Note: The thresholds above reflect the operation of a bq2148 using the standard bq2058 IC (V_{OV} = 4.25V). Specify other versions of the bq2058 by indicating the appropriate V_{OV} threshold in Table 1.

Ordering Information



- Notes:**
1. Requires configuration sheet (Table 1)
 2. Example production part number: bq2148LB-001

IMPORTANT NOTICE

Texas Instruments and its subsidiaries (TI) reserve the right to make changes to their products or to discontinue any product or service without notice, and advise customers to obtain the latest version of relevant information to verify, before placing orders, that information being relied on is current and complete. All products are sold subject to the terms and conditions of sale supplied at the time of order acknowledgement, including those pertaining to warranty, patent infringement, and limitation of liability.

TI warrants performance of its semiconductor products to the specifications applicable at the time of sale in accordance with TI's standard warranty. Testing and other quality control techniques are utilized to the extent TI deems necessary to support this warranty. Specific testing of all parameters of each device is not necessarily performed, except those mandated by government requirements.

CERTAIN APPLICATIONS USING SEMICONDUCTOR PRODUCTS MAY INVOLVE POTENTIAL RISKS OF DEATH, PERSONAL INJURY, OR SEVERE PROPERTY OR ENVIRONMENTAL DAMAGE ("CRITICAL APPLICATIONS"). TI SEMICONDUCTOR PRODUCTS ARE NOT DESIGNED, AUTHORIZED, OR WARRANTED TO BE SUITABLE FOR USE IN LIFE-SUPPORT DEVICES OR SYSTEMS OR OTHER CRITICAL APPLICATIONS. INCLUSION OF TI PRODUCTS IN SUCH APPLICATIONS IS UNDERSTOOD TO BE FULLY AT THE CUSTOMER'S RISK.

In order to minimize risks associated with the customer's applications, adequate design and operating safeguards must be provided by the customer to minimize inherent or procedural hazards.

TI assumes no liability for applications assistance or customer product design. TI does not warrant or represent that any license, either express or implied, is granted under any patent right, copyright, mask work right, or other intellectual property right of TI covering or relating to any combination, machine, or process in which such semiconductor products or services might be or are used. TI's publication of information regarding any third party's products or services does not constitute TI's approval, warranty or endorsement thereof.