



**DC COMPONENTS CO., LTD.**

RECTIFIER SPECIALISTS

**BR1505  
THRU  
BR1510**

**TECHNICAL SPECIFICATIONS OF SINGLE-PHASE SILICON BRIDGE RECTIFIER**

**VOLTAGE RANGE - 50 to 1000 Volts**

**CURRENT - 15 Amperes**

**FEATURES**

- \* Plastic case with heatsink for Maximum Heat Dissipation
- \* Surge overload ratings-300 Amperes
- \* Low forward voltage drop

**MECHANICAL DATA**

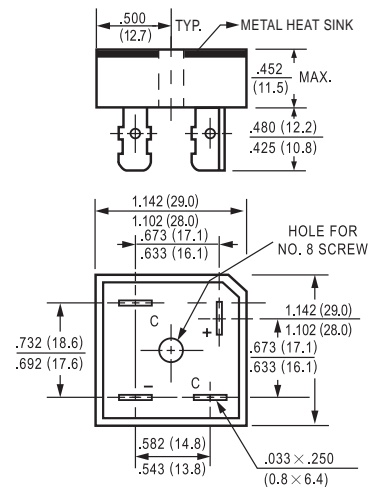
- \* Case: Molded plastic with heatsink
- \* Epoxy: UL 94V-0 rate flame retardant
- \* Terminals: Plated .25"(6.35mm) Faston lugs, Solderable per MIL-STD-202E, Method 208 guaranteed
- \* Polarity: As marked
- \* Mounting position: Any
- \* Weight: 30 grams

**MAXIMUM RATINGS AND ELECTRICAL CHARACTERISTICS**

Ratings at 25 °C ambient temperature unless otherwise specified.  
Single phase, half wave, 60 Hz, resistive or inductive load.  
For capacitive load, derate current by 20%.



**BR-25**



	SYMBOL	BR1505	BR151	BR152	BR154	BR156	BR158	BR1510	UNITS	
Maximum Recurrent Peak Reverse Voltage	V <sub>RRM</sub>	50	100	200	400	600	800	1000	Volts	
Maximum RMS Bridge Input Voltage	V <sub>RMS</sub>	35	70	140	280	420	560	700	Volts	
Maximum DC Blocking Voltage	V <sub>DC</sub>	50	100	200	400	600	800	1000	Volts	
Maximum Average Forward Rectified Output Current at T <sub>c</sub> = 55°C	I <sub>O</sub>	15							Amps	
Peak Forward Surge Current 8.3 ms single half sine-wave superimposed on rated load (JEDEC Method)	I <sub>FSM</sub>					300				Amps
Maximum Forward Voltage Drop per element at 7.5A DC	V <sub>F</sub>					1.1				Volts
Maximum DC Reverse Current at Rated	I <sub>R</sub>	@ T <sub>A</sub> = 25°C		10						uAmps
DC Blocking Voltage per element		@ T <sub>A</sub> = 100°C		500						
I <sup>2</sup> t Rating for Fusing (t<8.3ms)	I <sup>2</sup> t					374				A <sup>2</sup> Sec
Typical Junction Capacitance ( Note1)	C <sub>J</sub>					300				pF
Typical Thermal Resistance (Note 2)	R <sub>θJC</sub>					2.5				°C/W
Operating and Storage Temperature Range	T <sub>J</sub> ,T <sub>STG</sub>					-55 to + 150				°C

NOTES : 1.Measured at 1 MHz and applied reverse voltage of 4.0 volts  
2. Thermal Resistance from Junction to Case per leg.

# RATING AND CHARACTERISTIC CURVES ( BR1505 THRU BR1510 )

FIG. 1 - MAXIMUM NON-REPETITIVE FORWARD SURGE CURRENT

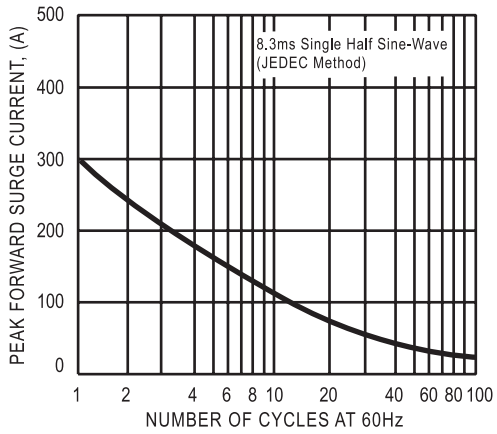


FIG. 2 - TYPICAL FORWARD CURRENT DERATING CURVE

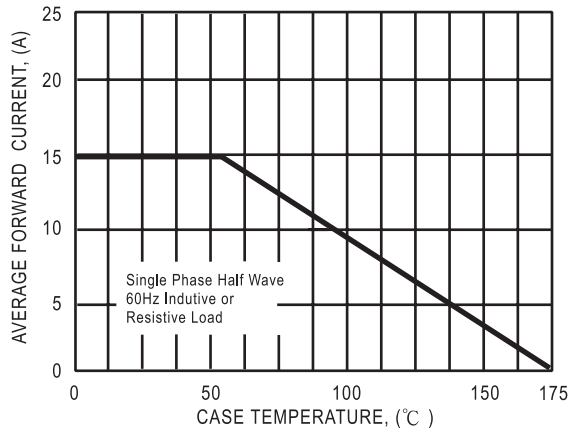


FIG. 3- TYPICAL INSTANTANEOUS FORWARD CHARACTERISTICS

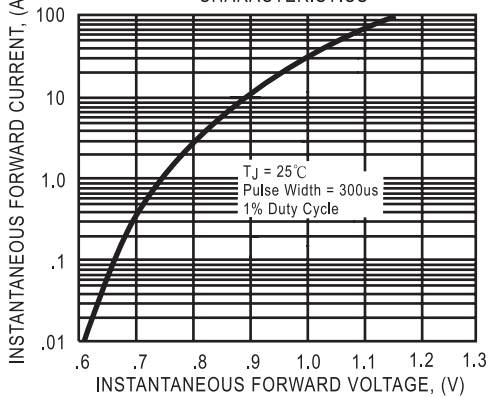
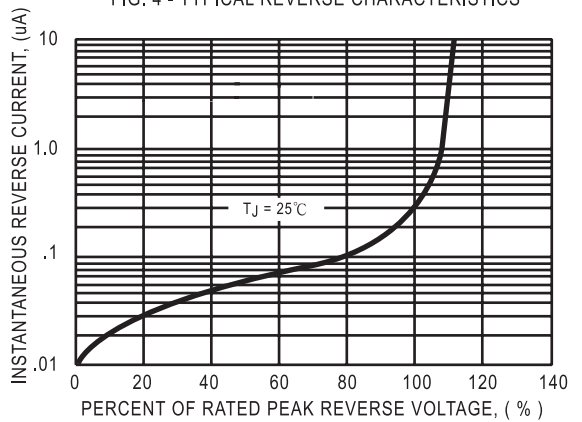


FIG. 4 - TYPICAL REVERSE CHARACTERISTICS



DC COMPONENTS CO., LTD.