

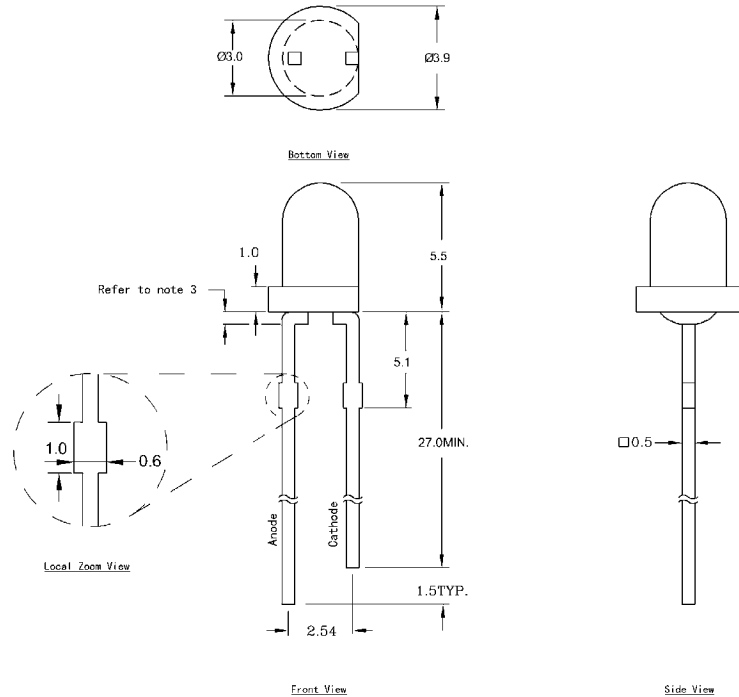
MEGA BRIGHT LED

BTL-32PGC-XX-X

Product Features

- Ultra Bright Pure Green Color
- High Light Output
- 3mm Diameter Circular Package
- Water Clear Lens
- Highly Reliable
- IC Compatible
- Leads without Stand Off

Package Dimension



Applications

- Automotive
- Front Panel Indicator
- Special Lighting
- General Purpose LEDs

WARNING
This range of LEDs is produced with die having a high radiant flux. Care must be taken when viewing the product at close range as the light may be intense enough to cause damage to the human eye.

Note: Industry standard procedures regarding static must be observed when handling this product.

Tolerance: $\pm \frac{\text{inch}}{\text{mm}}$ Unit: $\pm \frac{0.01}{0.25}$

Optical and Electrical Characteristics at $T_a=25^\circ\text{C}$

| Parameter | Symbol | Minimum | Typical | Maximum | Units | Conditions |
|---------------------|-----------------|---------|---------|---------|---------------|---------------------------------|
| Luminous Intensity | I_v | — | 3000 | — | mcd | $I_F = 20\text{mA}$ (Note 1) |
| Viewing Angle | $2\theta_{1/2}$ | — | 30 | — | deg | $I_F = 20\text{mA}$ |
| Dominant Wavelength | λ_D | 520 | 525 | 535 | nm | $I_F = 20\text{mA}$ (Note 2) |
| DC Forward Voltage | V_F | 2.8 | 3.5 | 4.0 | V | $I_F = 20\text{mA}$ |
| DC Reverse Current | I_R | 0 | — | 10 | μA | $V_R=5\text{V}$ |

Notes:

1. Light intensity measures the light sensing response standard using chromatic meter. Refer to the CIE eye-response curve set by International Lighting committee. Tolerance of minimum and maximum intensity = $\pm 15\%$
2. Wavelength range can be selected from the bin selection table. Tolerance of minimum and maximum = $\pm 2\text{nm}$
3. These products are sensitive to static electricity and care must be fully taken when handling products



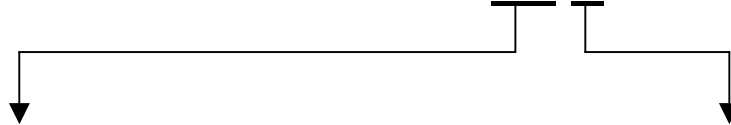
MEGA BRIGHT LED
BTL-32PGC-XX-X

Absolute Maximum Ratings at $T_a=25^\circ\text{C}$

| Symbol | Parameter | Max. | Unit |
|--|--|--------------------------------------|------------------|
| P_D | Power Rating | 100 | mW |
| V_R | Reverse Voltage ($I_R=10\mu\text{A}$) | 5 | V |
| I_F | Continuous Forward Current | 30 | mA |
| I_{FP} | Peak Forward Current (0.1 duty cycle @ 1kHz) | 100 | mA |
| T_{opr} | Operating Temperature Range | $-35 \sim +80$ | $^\circ\text{C}$ |
| T_{stg} | Storage Temperature Range | $-40 \sim +100$ | $^\circ\text{C}$ |
| Lead Soldering Temperature [1.6mm (0.063inch) from body] | | 260 $^\circ\text{C}$ - max 5 seconds | |

Wavelength and Brightness Selection

BTL-32PGC-XX-X



Wavelength Bin Selection

| Bin | Green (nm) |
|-----------|------------|
| G7 | 520~525 |
| G8 | 525~530 |
| G9 | 530~535 |
| XX | 520~535 |

Brightness Bin Selection

| Bin | Range(mcd) |
|----------|------------|
| Q | 1930~2510 |
| R | 2510~3265 |
| S | 3265~4245 |

Packaging Options

Standard: 1000 pc bulk pack

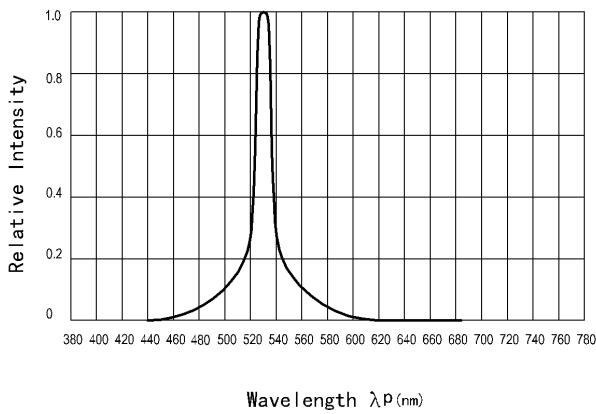
Optional: Tape and Reel (Please specify when order)

MEGA BRIGHT LED

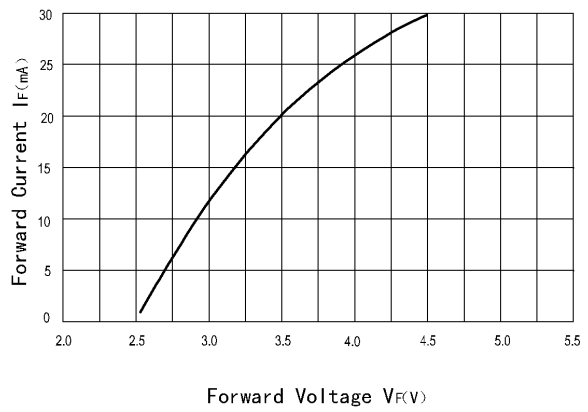
BTL-32PGC-XX-X

Typical Electro-Optical Characteristics Curves at $T_a=25^\circ\text{C}$

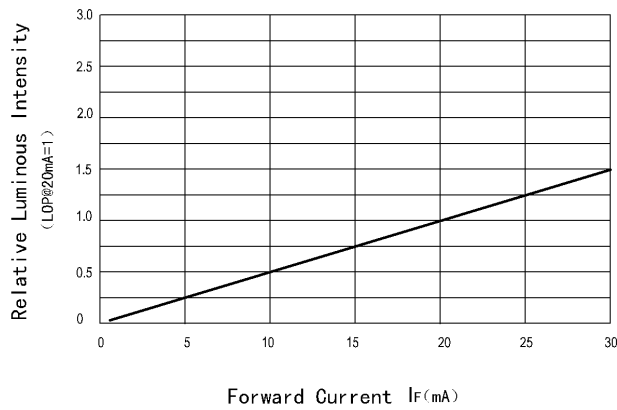
Relative Spatial Distribution



Forward Current VS Forward Voltage



Relative Luminous Intensity
VS
Forward Current



Spatial Distribution

