

MEGA BRIGHT LED

BTL-33BLD-XX-X

Product Features

- Ultra Bright Blue Color
- High Light Output
- 3mm Diameter Circular Package
- Diffused Lens
- Highly Reliable
- IC Compatible
- Leads without Stand Off

Applications

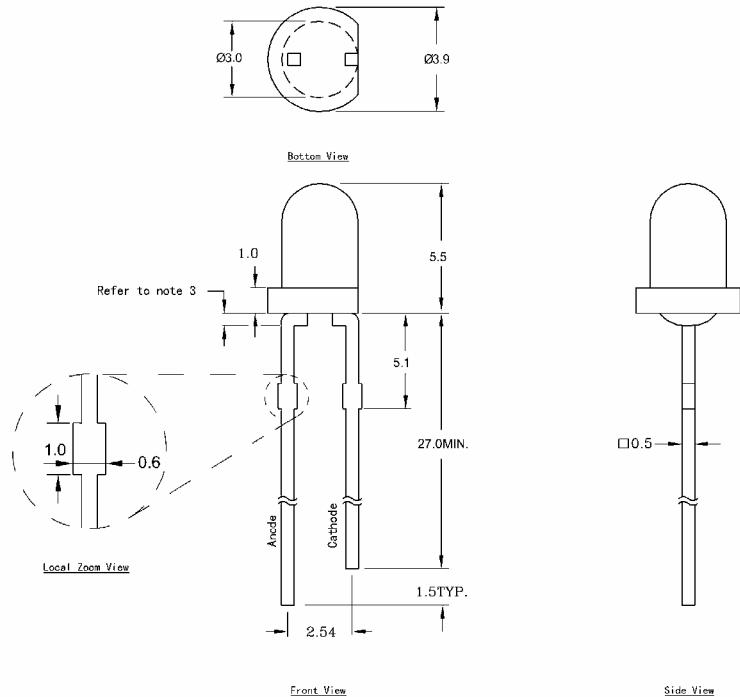
- Automotive
- Front Panel Indicator
- Special Lighting
- General Purpose LEDs



WARNING

This range of LEDs is produced with die having a high radiant flux. Care must be taken when viewing the product at close range as the light may be intense enough to cause damage to the human eye.

Package Dimension



Note: Industry standard procedures regarding static must be observed when handling this product.

inch	0.01
mm	0.25

Optical and Electrical Characteristics at $T_a=25^\circ\text{C}$

Parameter	Symbol	Minimum	Typical	Maximum	Units	Conditions
Luminous Intensity	I_v	—	100	—	mcd	$I_F = 20\text{mA}$ (Note 1)
Viewing Angle	$2\theta_{1/2}$	—	60	—	deg	$I_F = 20\text{mA}$
Dominant Wavelength	λ_D	460	465	475	nm	$I_F = 20\text{mA}$ (Note 2)
DC Forward Voltage	V_F	2.8	3.5	4.0	V	$I_F = 20\text{mA}$
DC Reverse Current	I_R	0	—	10	μA	$V_R=5\text{V}$

Notes:

1. Light intensity measures the light sensing response standard using chromatic meter. Refer to the CIE eye-response curve set by International Lighting committee. Tolerance of minimum and maximum intensity = $\pm 15\%$
2. Wavelength range can be selected from the bin selection table. Tolerance of minimum and maximum = $\pm 2\text{nm}$
3. These products are sensitive to static electricity and care must be fully taken when handling products



MEGA BRIGHT LED

BTL-33BLD-XX-X

Absolute Maximum Ratings at $T_a=25^{\circ}\text{C}$

Symbol	Parameter	Max.	Unit
P_D	Power Rating	100	mW
V_R	Reverse Voltage ($I_R=10\mu\text{A}$)	5	V
I_F	Continuous Forward Current	30	mA
I_{FP}	Peak Forward Current (0.1 duty cycle @ 1kHz)	100	mA
T_{opr}	Operating Temperature Range	$-35 \sim + 80$	$^{\circ}\text{C}$
T_{stg}	Storage Temperature Range	$-40 \sim + 100$	$^{\circ}\text{C}$
Lead Soldering Temperature [1.6mm (0.063inch) from body]		260 $^{\circ}\text{C}$ - max 5 seconds	

Wavelength and Brightness Selection

BTL-33BLD-XX-X

Wavelength Bin Selection

Bin	Blue (nm)
B5	460~465
B6	465~470
B7	470~475
XX	460~475

Brightness Bin Selection

Bin	Range(mcd)
C	45~60
D	60~80
E	80~110
F	110~140

Packaging Options

Standard: 1000 pc bulk pack

Optional: Tape and Reel (Please specify when order)

MEGA BRIGHT LED

BTL-33BLD-XX-X

Typical Electro-Optical Characteristics Curves at $T_a=25^\circ\text{C}$

