

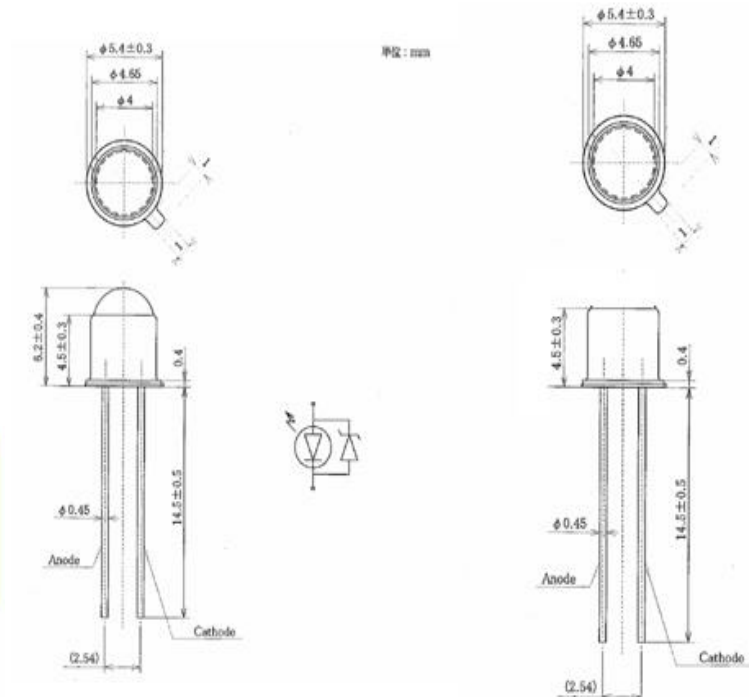
MEGA BRIGHT UV LED

BTL-51UVC-XX-X

Product Features

- Ultra Violet Color
- High Light Output
- 5mm Circular Metal Can Package
- Water Clear Lens
- Highly Reliable
- IC Compatible
- Leads without Stand Off

Package Dimension



Applications

- Counterfeit Notes Checker
- Medical and Dental Equipment
- Black Light
- Others



WARNING

This range of LEDs is produced with die having a high radiant flux. Care must be taken when viewing the product at close range as the light may be intense enough to cause damage to the human eye.

Note: Industry standard procedures regarding static must be observed when handling this product.

Optical and Electrical Characteristics at $T_a=25^\circ\text{C}$

Parameter	Symbol	Minimum	Typical	Maximum	Units	Conditions
Radiant Flux	I_v	—	2.0	—	mW	$I_F = 20\text{mA}$
Viewing Angle	$2\theta_{1/2}$	—	15	—	degree	$I_F = 20\text{mA}$
Peak Wavelength	λ_P	370	—	375	nm	$I_F = 20\text{mA}$ (Note 2)
DC Forward Voltage	V_F	—	—	4.0	V	$I_F = 20\text{mA}$
DC Reverse Current	I_R	0	—	5	μA	$V_R=5\text{V}$

Notes:

1. These products are sensitive to static electricity and care must be fully taken when handling products
2. Caution: UV light is harmful to eyes and skin.

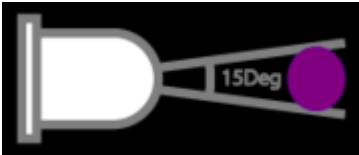


MEGA BRIGHT UV LED

BTL-51UVC-XX-X

Absolute Maximum Ratings at $T_a=25^\circ\text{C}$

Symbol	Parameter	Max.	Unit
P_D	Power Rating	120	mW
V_R	Reverse Voltage ($I_R=10\mu\text{A}$)	5	V
I_F	Continuous Forward Current	30	mA
I_{PF}	Peak Forward Current (0.1 duty cycle @ 1kHz)	100	mA
T_{opr}	Operating Temperature Range	-25 ~ + 80	$^\circ\text{C}$
T_{stg}	Storage Temperature Range	-40 ~ + 100	$^\circ\text{C}$
Lead Soldering Temperature [1.6mm (0.063inch) from body]		260 $^\circ\text{C}$ - max 5 seconds	



BT-Rev. 1.0a

Specifications are subject to change without notice.

Copyright © 2003 Brilliance Technologies Co., Ltd. All rights reserved.