

# 8-bit static shift register

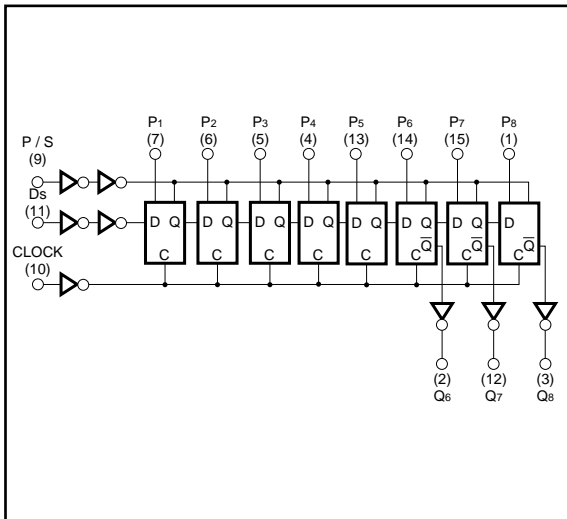
## BU4021B / BU4021BF

The BU4021B and BU4021BF are 8-bit static shift registers consisting of 8 register cells, each of which has parallel input. Control of the parallel / serial control input (P / S) enables serial input / serial output with clock synchronization, as well as parallel input / serial output conversions.

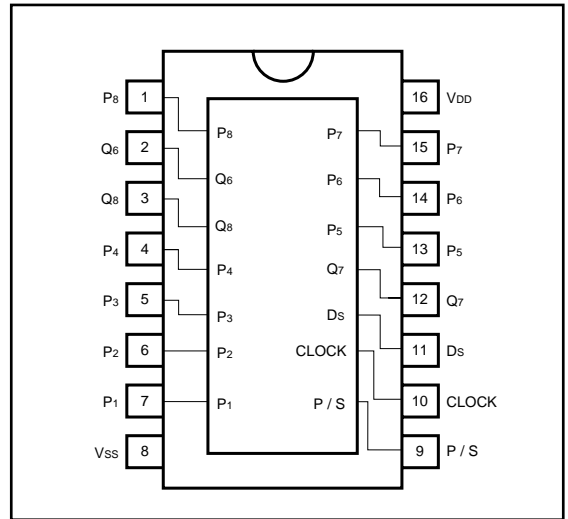
●Absolute maximum ratings ( $V_{SS} = 0V$ ,  $T_a = 25^\circ C$ )

Parameter	Symbol	Limits	Unit
Power supply voltage	$V_{DD}$	- 0.3 ~ + 18	V
Power dissipation	$P_d$	1000 (DIP), 500 (SOP)	mW
Operating temperature	$T_{opr}$	- 40 ~ + 85	$^\circ C$
Storage temperature	$T_{stg}$	- 55 ~ + 150	$^\circ C$
Input voltage	$V_{IN}$	- 0.3 ~ $V_{DD} + 0.3$	V

●Logic circuit diagram



●Block diagram



●Truth table

Serial operation

t	CLOCK	$D_s$	P / S	$Q_6$ ( $t = n + 6$ )	$Q_7$ ( $t = n + 7$ )	$Q_8$ ( $t = n + 8$ )
n	$\uparrow$	L	L	0	?	?
n + 1	$\uparrow$	H	L	1	0	?
n + 2	$\uparrow$	L	L	0	1	0
n + 3	$\uparrow$	H	L	1	0	1
	$\downarrow$	X	L	$Q_6$	$Q_7$	$Q_8$

Parallel operation

CLOCK	$D_s$	P / S	$D_m$	$Q_m^*$
$\uparrow$	X	H	L	L
$\uparrow$	X	H	H	H

X: Irrelevant

\*:  $Q_6$ ,  $Q_7$ , and  $Q_8$  are external

## ●Electrical characteristics

DC characteristics (unless otherwise noted,  $T_a = 25^\circ\text{C}$ ,  $V_{SS} = 0\text{V}$ )

Parameter	Symbol	Min.	Typ.	Max.	Unit	V <sub>DD</sub> (V)	Conditions
Input high level voltage	V <sub>IH</sub>	3.5	—	—	V	5	—
		7.0	—	—		10	
		11.0	—	—		15	
Input low level voltage	V <sub>IL</sub>	—	—	1.5	V	5	—
		—	—	3.0		10	
		—	—	4.0		15	
Input high level current	I <sub>IH</sub>	—	—	0.3	μA	15	V <sub>IH</sub> = 15V
Input low level current	I <sub>IL</sub>	—	—	-0.3	μA	15	V <sub>IL</sub> = 0V
Output high level voltage	V <sub>OH</sub>	4.95	—	—	V	5	I <sub>O</sub> = 0mA
		9.95	—	—		10	
		14.95	—	—		15	
Output low level voltage	V <sub>OL</sub>	—	—	0.05	V	5	I <sub>O</sub> = 0mA
		—	—	0.05		10	
		—	—	0.05		15	
Output high level current	I <sub>OH</sub>	-0.16	—	—	mA	5	V <sub>OH</sub> = 4.6V
		-0.4	—	—		10	V <sub>OH</sub> = 9.5V
		-1.2	—	—		15	V <sub>OH</sub> = 13.5V
Output low level current	I <sub>OL</sub>	0.44	—	—	mA	5	V <sub>OL</sub> = 0.4V
		1.1	—	—		10	V <sub>OL</sub> = 0.5V
		3.0	—	—		15	V <sub>OL</sub> = 1.5V
Static current dissipation	I <sub>DD</sub>	—	—	20	μA	5	V <sub>I</sub> = V <sub>DD</sub> , GND
		—	—	40		10	
		—	—	80		15	

Switching characteristics (unless otherwise noted,  $V_{SS} = 0V$ ,  $T_a = 25^\circ C$ ,  $C_L = 50pF$ )

Parameter	Symbol	Min.	Typ.	Max.	Unit	V <sub>DD</sub> (V)	Conditions	Measurement circuit
Output rise time	t <sub>TLH</sub>	—	180	—	ns	5	—	Fig.1
		—	90	—		10		
		—	65	—		15		
Output fall time	t <sub>THL</sub>	—	100	—	ns	5	—	Fig.1
		—	50	—		10		
		—	40	—		15		
"L" to "H" propagation delay time CLOCK to Q, P / S to Q	t <sub>PLH</sub>	—	400	—	ns	5	—	Fig.1
		—	170	—		10		
		—	115	—		15		
"H" to "L" propagation delay time CLOCK to Q, P / S to Q	t <sub>PHL</sub>	—	400	—	ns	5	—	Fig.1
		—	170	—		10		
		—	115	—		15		
Setup time	t <sub>su</sub>	—	150	—	ns	5	—	Fig.1
		—	50	—		10		
		—	30	—		15		
Minimum clock pulse width	t <sub>w</sub> (CLK)	—	150	—	ns	5	—	Fig.1
		—	75	—		10		
		—	40	—		15		
Maximum clock frequency	f (CLK) Max.	—	3.0	—	MHz	5	—	Fig.1
		—	6.0	—		10		
		—	8.0	—		15		
Maximum clock rise / fall time	t <sub>r</sub> (CLK) t <sub>f</sub> (CLK)	—	—	15	μs	5	—	Fig.1
		—	—	5.0		10		
		—	—	4.0		15		
Minimum P / S control pulse width	t <sub>w</sub> (P / S)	—	150	—	ns	5	—	—
		—	75	—		10		
		—	40	—		15		
Input capacitance	C <sub>IN</sub>	—	5	—	pF	—	—	—

● Measurement circuit

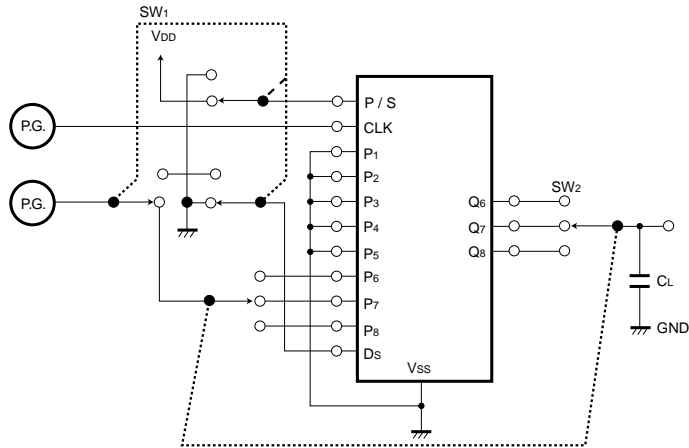


Fig.1 Switching characteristics measurement circuit

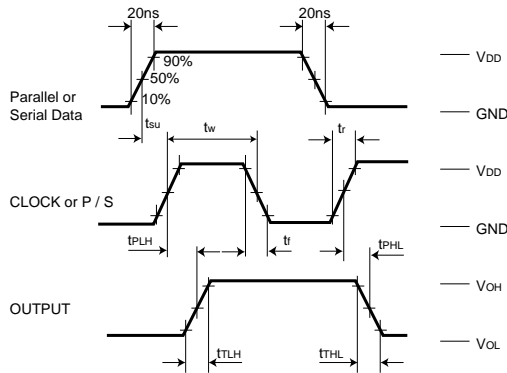


Fig.2 Switching characteristics waveform

● Electrical characteristic curve

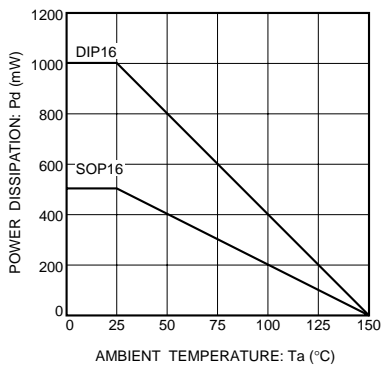


Fig.3 Power dissipation vs. ambient temperature

●External dimensions (Units: mm)

