

# C&K BY Series

## 4 Tumbler Value Added Security Switchlocks



### Features/Benefits

- **Anti-static switch**
- **Removable lock core**
- **Latch pawl option**
- **Snap-together assembly**

### Typical Applications

- **Computers**
- **Point-of-sale terminals**
- **Postal equipment**



### Specifications

**CONTACT RATING:** Q contact material: 4 AMPS @ 125 V AC or 28 V DC; 2 AMPS @ 250 V AC (UL/CSA). Low level models with gold plating available. See page M-26 for additional ratings.

**ELECTRICAL LIFE:** 10,000 make-and-break cycles at full load.

**CONTACT RESISTANCE:** Below 10 m Ω typ. initial @ 2-4 V DC, 100 mA, for both silver and gold plated contacts.

**INSULATION RESISTANCE:** 10<sup>9</sup> Ω min.

**DIELECTRIC STRENGTH:** 1,000 Vrms min. @ sea level.

**INDEXING:** 45° or 90°, 2-3 positions. Other functions available, consult Customer Service Center.

**STATIC RESISTANCE:** Anti-static models exceed 20 KV DC static resistance @ sea level, lock body to terminals.

**NOTE:** Any models supplied with Q, B or G contact material are RoHS compliant. For the latest information regarding RoHS compliance, please go to: [www.ittcannon.com/rohs](http://www.ittcannon.com/rohs).

**NOTE:** Specifications and materials listed above are for switchlocks with standard options. For information on specific and custom switchlocks, consult Customer Service Center.

### Materials

**LOCK:** 4 tumbler lock with positive detent. Shell-zinc alloy; Core-ABS plastic, black, std.; Facing-ABS plastic, black.

**KEYS:** Two nickel plated brass keys with code number. Plastic key cover, black.

**SWITCH HOUSING:** Glass filled polyester (UL 94V-0).

**CONTACTS & TERMINALS:** Q contact material: Copper, silver plated. See page M-26 for additional contact materials.

**MOUNTING NUT:** Zinc alloy.

**MOUNTING CLIP:** Steel, zinc plated.

**TERMINAL SEAL:** Epoxy.

### Build-A-Switch

To order, simply select desired option from each category and place in the appropriate box. Available options are shown and described on pages M-23 through M-26. For additional options not shown in catalog, consult Customer Service Center.



#### Switch and Lock Function

- BY011U** SP, 90°, Index, keypull pos. 1 & 2
- BY211U** DP, 90° Index, keypull pos. 1 & 2
- BY01AF** SP, 45° Index, keypull pos. 1, 2 & 3
- BY21AF** DP, 45° Index, keypull pos. 1, 2 & 3

#### Keying

- J** One plastic round head key and one nickel plated key
- 2** Two nickel plated keys

#### Lock Type

- C** 4 Tumbler lock with detent

#### Terminations

- 03** Solder lug with hole
- WC** Wire lead

#### Mounting Style

- N** With nut
- D** With clip
- L** With latch pawl and nut
- M** With latch pawl and clip

#### Contact Material

- Q** Silver
- B** Gold
- G** Gold over silver

#### Lock Color

- 2** Black

#### Key Color

- 2** Black
- NONE** Nickel plated brass



Switchlock



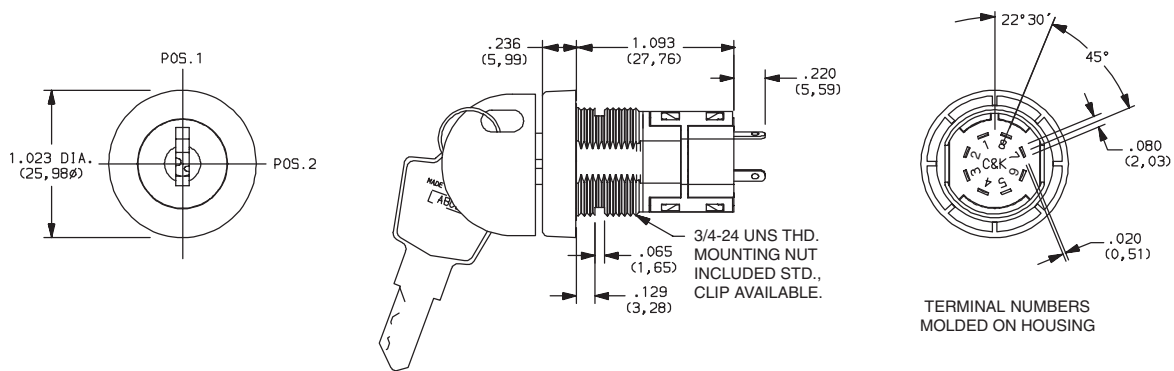
Dimensions are shown: Inch (mm)  
Specifications and dimensions subject to change

# C&K BY Series 4 Tumbler Value Added Security Switchlocks

## SWITCH AND LOCK FUNCTION

	NO. POLES	MODEL NO.	CONNECTED TERMINALS			KEY PULL POSITIONS	LOCK CONFIGURATION	INDEXING
			POS. 1	POS. 2	POS. 3			
WITHOUT PAWL	SP DP	<b>BY011U</b> <b>BY211U</b>	8-1 8-1, 4-5	1-3 1-3, 5-7		Positions 1 & 2		90°
	SP DP	<b>BY01AF</b> <b>BY21AF</b>	8-1 8-1, 4-5	1-2 1-2, 5-6	2-3 2-3, 3-4	Positions 1, 2 & 3		45°

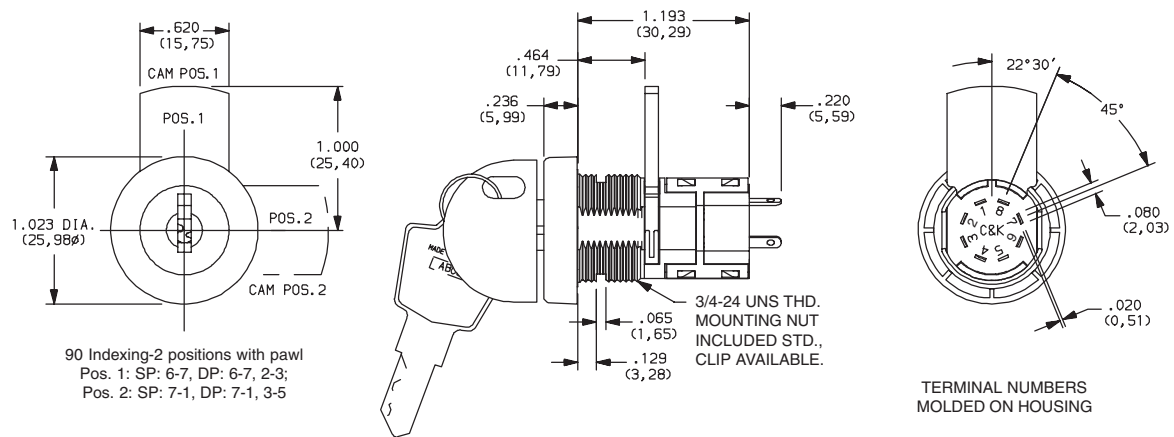
### Without Pawl



Part number shown: BY011UJC03NQ22

WITH PAWL	SP DP	<b>BY011U</b> <b>BY211U</b>	6-7 6-7, 2-3	7-1 7-1, 3-5		Positions 1 & 2		90°
-----------	----------	--------------------------------	-----------------	-----------------	--	-----------------	--	-----

### With Pawl



90 Indexing-2 positions with pawl  
Pos. 1: SP: 6-7, DP: 6-7, 2-3;  
Pos. 2: SP: 7-1, DP: 7-1, 3-5

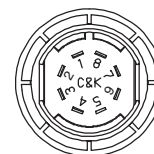
Part number shown: BY011UJC03LQ22

### LEGEND

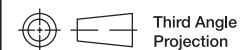
- = Detent Positions (45° or 90°)
- ⊙ = Key pull possible in these positions.
- ⊙ = Stop Positions

All models with all options when ordered with 'G' or 'Q' contact material.

### TERMINAL NUMBERS



Terminal numbers molded on housing.



Dimensions are shown: Inch (mm)  
Specifications and dimensions subject to change



M

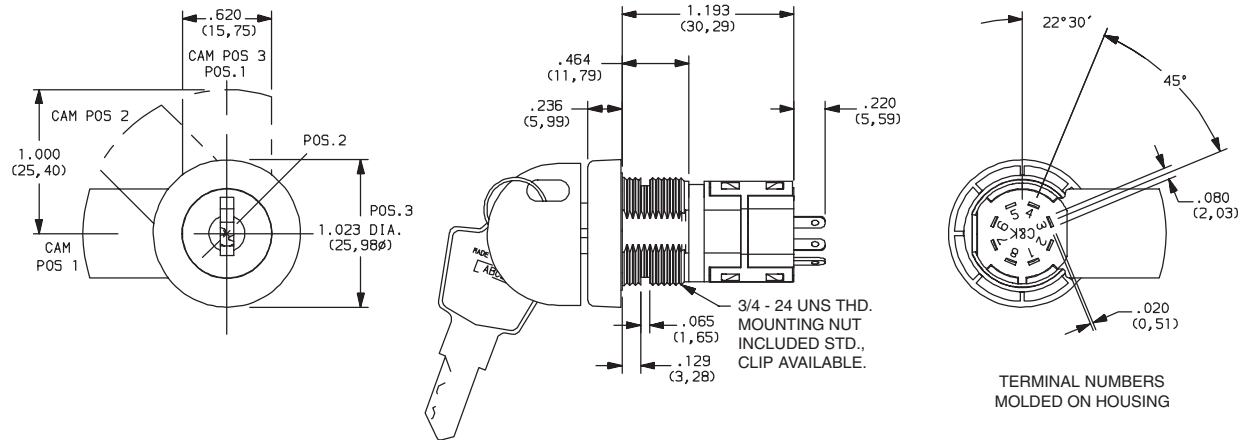
Switchlock

# C&K BY Series 4 Tumbler Value Added Security Switchlocks

## SWITCH AND LOCK FUNCTION

	NO. POLES	MODEL NO.	CONNECTED TERMINALS			KEY PULL POSITIONS	LOCK CONFIGURATION	INDEXING
			POS. 1	POS. 2	POS. 3			
WITH PAWL	SP DP	<b>BY01AF</b> <b>BY21AF</b>	8-1 8-1, 4-5	1-2 1-2, 5-6	7-8 7-8, 3-4	Positions 1, 2 & 3		45°

### With Pawl

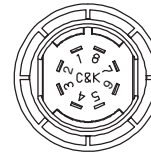


Part number shown: BY01AFJC03LQ22

### LEGEND

- = Detent Positions (45° or 90°)
- ⊙ = Key pull possible in these positions.
- ▼ ● = Stop Positions

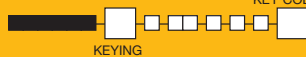
### TERMINAL NUMBERS



All models with all options when ordered with 'G' or 'Q' contact material.

Terminal numbers molded on housing.

## KEYING

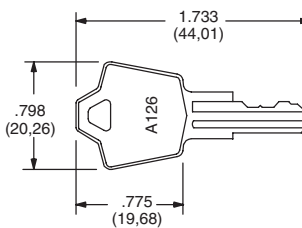


OPTION CODE	KEYING OPTIONS	CODE NO. ON KEY	CODE NO. ON LOCK
<b>J</b>	1 PLASTIC ROUND HEAD KEY, 1 NICKEL PLATED BRASS KEY	YES	NO
<b>2</b>	2 NICKEL PLATED BRASS KEYS	YES	NO

NOTE: Keys available separately, see page M-26.

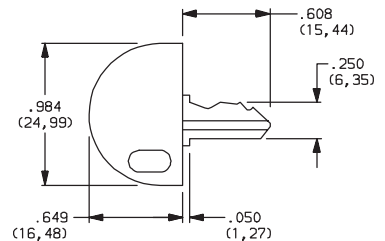
OPTION CODE	KEY COLOR
<b>NONE</b>	NICKEL PLATED BRASS
<b>2</b>	BLACK

### NICKEL PLATED BRASS KEY



Key part number:  
115140126

### NICKEL PLATED BRASS KEY WITH PLASTIC INSERT MOLDED ROUND HEAD



Key part number:  
16564112602

NOTE: Key head shape subject to change without notice.



Third Angle  
Projection

Dimensions are shown: Inch (mm)  
Specifications and dimensions subject to change



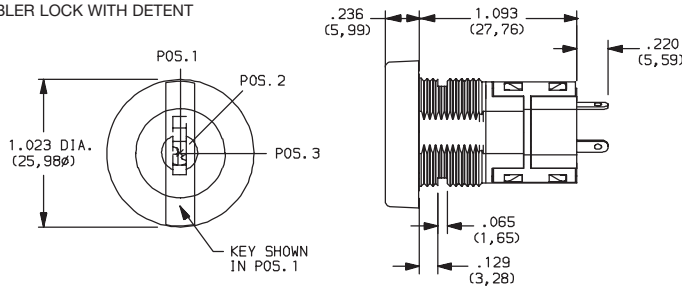
M

Switchlock

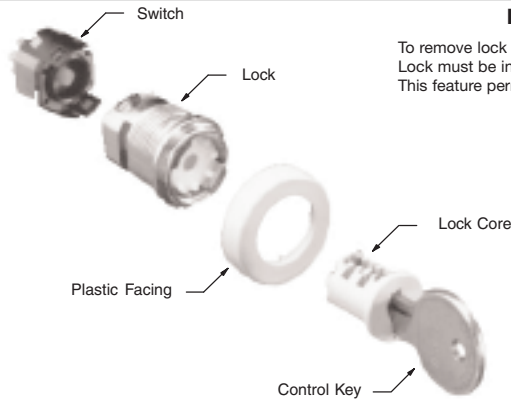
# C&K BY Series 4 Tumbler Value Added Security Switchlocks

## LOCK TYPE

### C 4 TUMBLER LOCK WITH DETENT



OPTION CODE	LOCK COLOR
2	BLACK

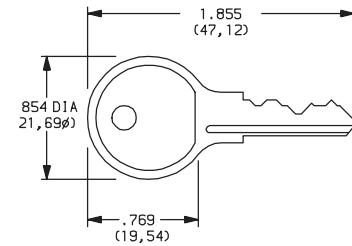


### Lock Core Removal Instructions

To remove lock core, insert round-headed control key and pull. Lock must be in position 2 (90° indexing), position 3 (45° indexing). This feature permits changing key codes.

### BRASS CONTROL KEY

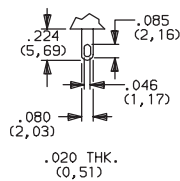
(Removes lock core)



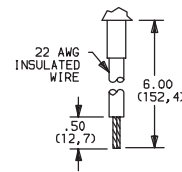
Control key available separately, part number: 11630CKBYST

## TERMINATIONS

### 03 SOLDER LUG WITH HOLE



### WC WIRE LEAD

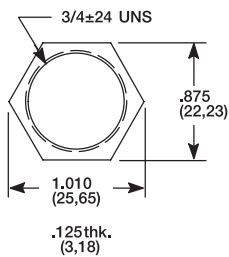


Black wire standard. other colors and lengths available, consult Customer Service Center. UL style 1015.

## LOCK TYPE

### N WITH NUT

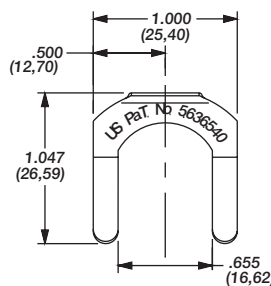
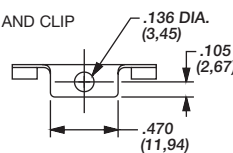
### L LATCH PAWL AND NUT



Nut part number: 175050700

### D WITH CLIP

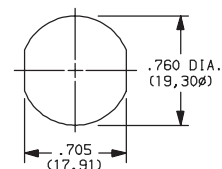
### M LATCH PAWL AND CLIP



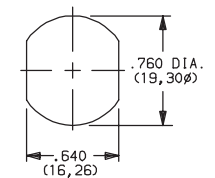
Clip part number: 906B00000

OPTION CODE	MOUNTING STYLE	PANEL THICKNESS
N, L	WITH NUT	.085-.105 (2,16-2,67)
D, M	WITH CLIP	.085-.105 (2,16-2,67)

### PANEL MOUNTING



Models with latch pawl



Models without latch pawl



Third Angle Projection

Dimensions are shown: Inch (mm)  
Specifications and dimensions subject to change



M

Switchlock

# C&K BY Series

## 4 Tumbler Value Added Security Switchlocks

### CONTACT MATERIAL

OPTION CODE	RoHS COMPLIANT*	RoHS COMPATIBLE*	CONTACT AND TERMINAL MATERIAL	RATING	
<b>Q</b>	YES	YES	SILVER <sup>2</sup>	POWER	4 AMPS @ 125 V AC or 28 V DC; 2 AMPS @ 250 V AC (UL/CSA).
<b>B</b>	YES	YES	GOLD <sup>1</sup>	LOW LEVEL/DRY CIRCUIT	0.4 VA MAX. @ 20 V AC or DC MAX
<b>G</b>	YES	YES	GOLD SILVER <sup>3</sup>	LOW LEVEL/DRY CIRCUIT OR POWER	0.4 VA MAX. @ 20 V AC or DC MAX. or 4 AMPS @ 125 V AC or 28 V DC; 2 AMPS @ 250 V AC (UL/CSA)

\* Note: See Technical Data section of this catalog for RoHS compliant and compatible definitions and specifications.

<sup>1</sup> CONTACTS & TERMINALS: Copper, with gold plate over nickel plate.

<sup>2</sup> CONTACTS & TERMINALS: Copper, silver plated (standard with all termination options).

<sup>3</sup> CONTACTS & TERMINALS: Copper, with gold plate over silver plate.

All models with all options when ordered with 'G' or 'Q' contact material.

**NOTE:** 'G' contact material is equivalent to both 'B' and 'Q' contact materials.

### AVAILABLE HARDWARE



Key Code: A126  
**PART NO. (ONE KEY)**  
**115140126**  
**Material:** Brass  
**Finish:** Nickel plate



Key Code: A126  
**PART NO. (ONE KEY)**  
**16564112602** BLACK  
**Material:** Brass  
**Finish:** Nickel plate  
 6/6 Nylon insert molded head

Control key (removes lock core)



Key Code: 3434  
**PART NO. (ONE KEY)**  
**11630CKBYST**  
**Material:** Brass  
**Finish:** None



Switchlock



Dimensions are shown: Inch (mm)  
 Specifications and dimensions subject to change