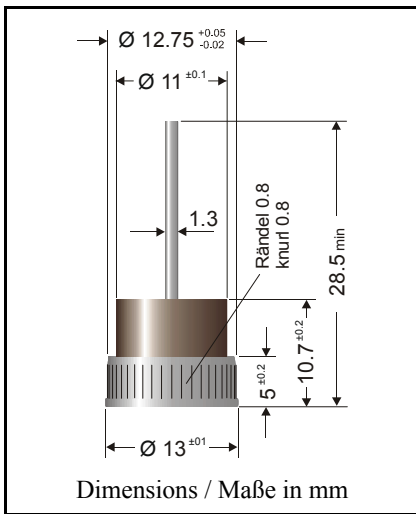


Silicon Press-Fit-Diodes
High-temperature diodes

Silizium-Einpreßdioden
Hochtemperaturdioden



Nominal current – Nennstrom 25 A
 Repetitive peak reverse voltage 50...600 V
 Periodische Spitzensperrspannung
 Metal press-fit case with plastic cover
 Metall-Einpreßgehäuse mit Plastik-Abdeckung
 Weight approx. – Gewicht ca. 10 g
 Casting compound has UL classification 94V-0
 Vergußmasse UL94V-0 klassifiziert
 Standard packaging: bulk
 Standard Lieferform: lose im Karton

Maximum ratings

Grenzwerte

Type / Typ	Repetitive peak reverse voltage	Surge peak reverse voltage	
Wire to / Draht an	Periodische Spitzensperrspannung.	Stoßspitzensperrspannung	
Anode	Cathode		
	V_{RRM} [V]	V_{RSM} [V]	
BYP 25A05	BYP 25K05	50	60
BYP 25A1	BYP 25K1	100	120
BYP 25A2	BYP 25K2	200	240
BYP 25A3	BYP 25K3	300	360
BYP 25A4	BYP 25K4	400	480
BYP 25A6	BYP 25K6	600	700

Max. average forward rectified current, R-load $T_C = 150^\circ\text{C}$ I_{FAV} 25 A
 Dauergrenzstrom in Einwegschaltung mit R-Last

Repetitive peak forward current $f > 15\text{ Hz}$ I_{FRM} 90 A ¹⁾
 Periodischer Spitzenstrom

Peak forward surge current, 50 / 60 Hz half sine-wave $T_A = 25^\circ\text{C}$ I_{FSM} 270 / 300 A
 Stoßstrom für eine 50 / 60 Hz Sinus-Halbwelle

Rating for fusing – Grenzlastintegral, $t < 10\text{ ms}$ $T_A = 25^\circ\text{C}$ i^2t 375 A²s

Operating junction temperature – Sperrschichttemperatur T_j – 50...+215 °C
 Storage temperature – Lagerungstemperatur T_s – 50...+215 °C

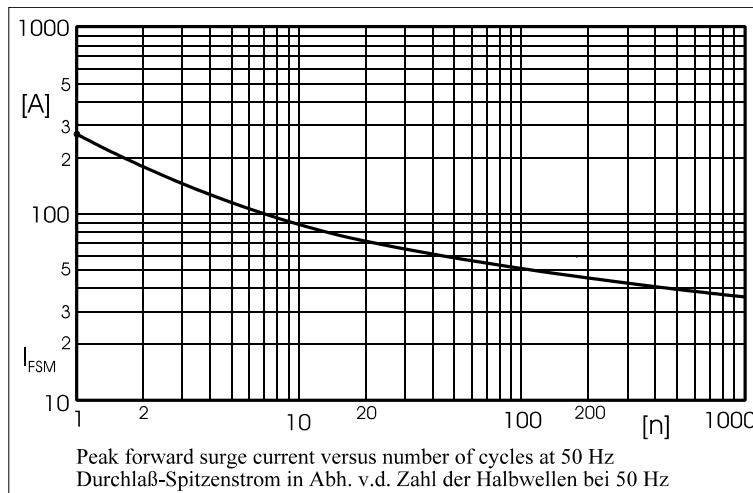
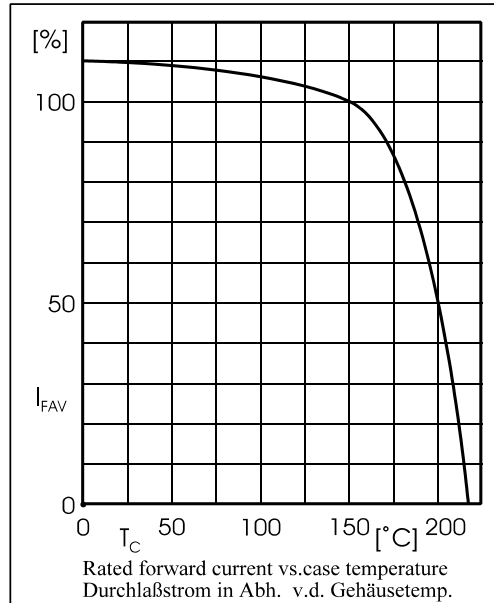
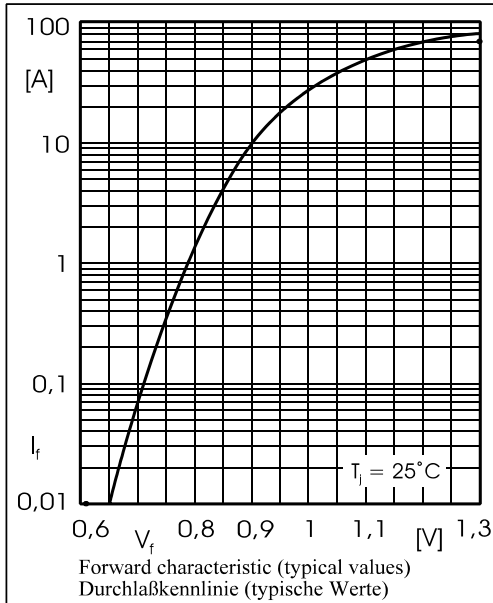
Maximum pressure – Maximaler Einpreßdruck 7 kN

¹⁾ Max. case temperature $T_C = 150^\circ\text{C}$ – Max. Gehäusetemperatur $T_C = 150^\circ\text{C}$

Characteristics

Kennwerte

Forward voltage – Durchlaßspannung	$T_j = 25^\circ\text{C}$	$I_F = 25\text{ A}$	V_F	< 1.1 V
Leakage current – Sperrstrom	$T_j = 25^\circ\text{C}$	$V_R = V_{RRM}$	I_R	< 100 μA
Thermal resistance junction to case Wärmewiderstand Sperrschicht – Gehäuse			R_{thC}	< 1 K/W



Replacements / Ersatztypen			
New - Neu	Old - Alt	New - Neu	Old - Alt
BYP 25K05	BYP70/25	BYP 25A05	BYP75/25
BYP 25K1	BYP71/25	BYP 25A1	BYP76/25
BYP 25K2	BYP72/25	BYP 25A2	BYP77/25
BYP 25K3	BYP73/25	BYP 25A3	BYP78/25
BYP 25K4	BYP74/25	BYP 25A4	BYP79/25