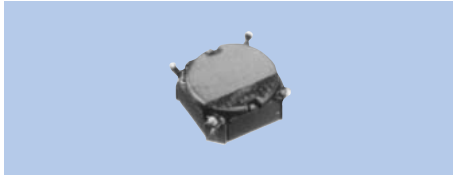


Pressurizing Transformers CKT Series

Coils, Filters

C5-KT2.2L

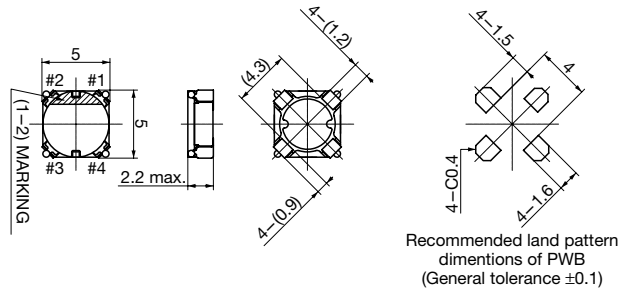


Specifications

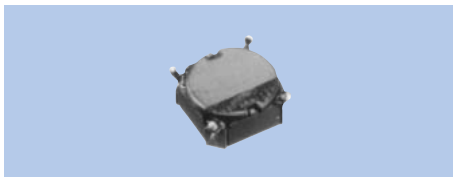
- (1) -
- (2) 10~1000kHz
- (3) 0.7W

Features

- SMD
- 2000pcs./Reel



C5-KT2.5L

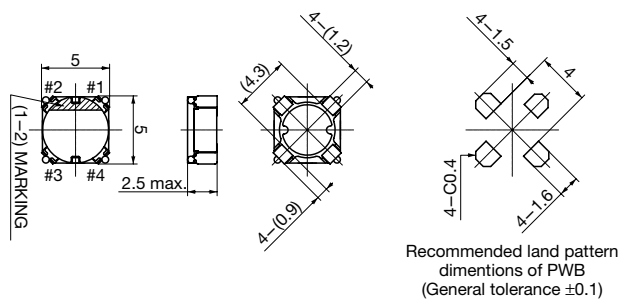


Specifications

- (1) -
- (2) 10~1000kHz
- (3) 0.8W

Features

- SMD
- 2000pcs./Reel



C5-KT3L

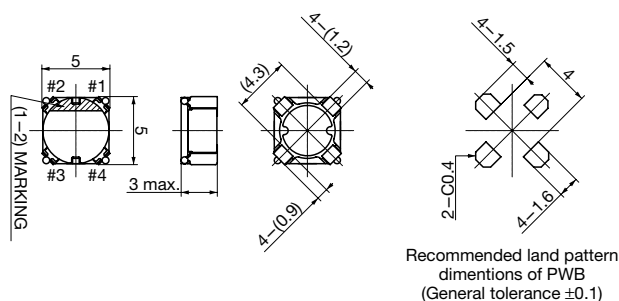


Specifications

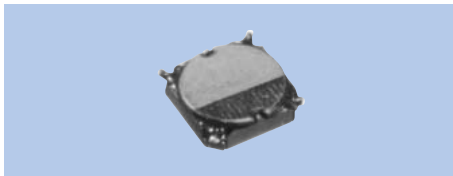
- (1) -
- (2) 10~1000kHz
- (3) 1W

Features

- SMD
- 2000pcs./Reel



C6-KT2L

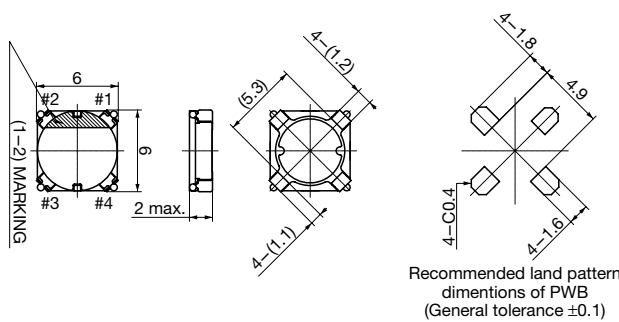


Specifications

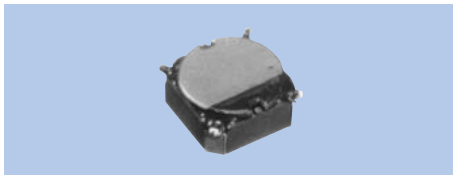
- (1) -
- (2) 10~1000kHz
- (3) 0.8W

Features

- SMD
- 1000pcs./Reel



C6-KT3L

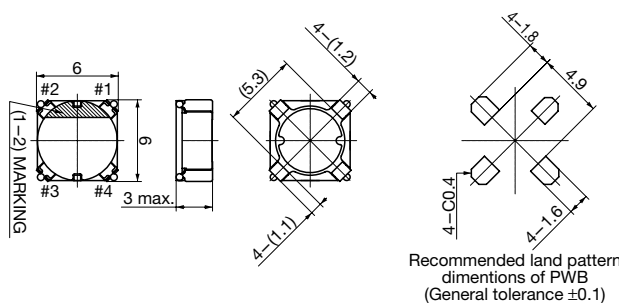


Specifications

- (1) -
- (2) 10~1000kHz
- (3) 1.2W

Features

- SMD
- 1000pcs./Reel



- (1) Inductance
- (2) Operational frequency
- (3) Power Capacity