

## Voltage Regulator Control Circuit for Variable Switching Regulator

April 1994

### Features

- Operates up to 200kHz
- Pins ESD Protected
- Remote ON/OFF
- Slow Start with Reset
- Overcurrent Sensing
- Lower Peak Currents than PWM Regulator
  - Less Prone to Magnetic Saturation

### Description

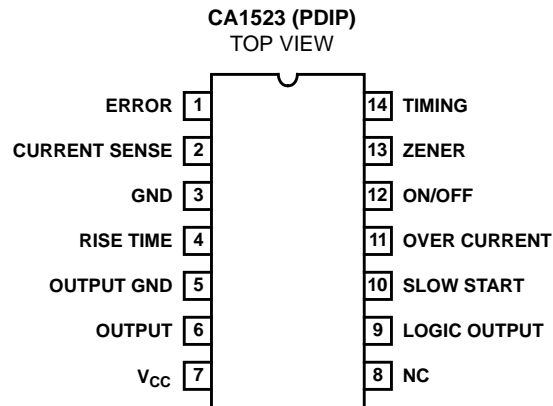
The CA1523 monolithic silicon integrated circuit is a variable interval pulse regulator designed to provide the control circuitry for use in switching regulator circuits. It operates from 11V to 15V.

The regulator provides a single output drive capable of 300mA source/200mA sink. The maximum operating frequency is better than 200kHz. An attractive feature of the CA1523 is that the timing capacitor charge and discharge current is set up externally via a single resistor. The ratio of charge to discharge current is internally set at a maximum of 2 to 1 allowing simultaneous change in output pulse width with increased frequency at higher load. The pulse width variation at higher frequencies effectively compensates for the losses in magnetics and thereby increases the power supply efficiency at higher load end by as much as 20 percent.

### Ordering Information

PART NUMBER	TEMPERATURE RANGE	PACKAGE
CA1523E	0°C to +70°C	14 Lead Plastic DIP

### Pinout



## Specifications CA1523

### Absolute Maximum Ratings

DC Supply Voltage .....	15V
Supply Current	
$I_6(\text{MAX})$ .....	$\pm 50\text{mA}$
$I_6(\text{MAX})$ , 1 $\mu\text{s}$ , 1800pF Load .....	+300, -200mA
Device Dissipation	
Up to $T_A = 70^\circ\text{C}$ .....	530mW
Above $T_A = 70^\circ\text{C}$ .....	Derate Linearly at 6.7mW/ $^\circ\text{C}$

### Thermal Information

Thermal Resistance	$\theta_{JA}$
Plastic DIP Package .....	120 $^\circ\text{C}/\text{W}$
Device Dissipation	
Up to $T_A = 70^\circ\text{C}$ .....	665mW
Ambient Temperature Range	
Operating .....	0 $^\circ\text{C}$ to +70 $^\circ\text{C}$
Storage .....	-55 $^\circ\text{C}$ to +150 $^\circ\text{C}$
Lead Temperature (During Soldering)	
At distance 1/16 $\pm$ in. (1.59mm $\pm$ 0.79mm)	
from case for 10s Max .....	+265 $^\circ\text{C}$

CAUTION: Stresses above those listed in "Absolute Maximum Ratings" may cause permanent damage to the device. This is a stress only rating and operation of the device at these or any other conditions above those indicated in the operational sections of this specification is not implied.

### Electrical Specifications $T_A = +25^\circ\text{C}$ , Refer to condition shown in test circuit; $V_7 = 13\text{V}$ , $V_1 = 5.9\text{V}$ Unless Otherwise Specified

PARAMETERS	PIN	TEST CONDITIONS	MIN	TYP	MAX	UNITS
POWER SUPPLY, $V_{CC}$ (PIN 7)						
Supply Voltage	7		9.5	13	-	V
Supply Current	7	$V_{CC} = +13\text{V}$	20	27	34	mA
Zener Voltage	13		7.8	8.4	8.9	V
OUTPUT PULSE (PIN 6)						
Maximum Pulse Width	6	Measured at 6V Threshold Level	5.5	6.5	7.5	$\mu\text{s}$
Minimum Pulse Width	6	Measured at 6V Threshold Level	2	3	4	$\mu\text{s}$
Output High Voltage	6	$I_6 = 0\text{mA}$ , $V_4 = 0\text{V}$	11.1	12	12.6	V
Output Low Voltage	6	$I_6 = 50\text{mA}$ , $V_{12} = 0\text{V}$	0.6	1	1.3	V
Rise Time	6	Measured at 1.8V and 10V Threshold Levels	250	600	1250	ns
Fall Time	6	Measured at 1.8V and 10V Threshold Levels	50	200	350	ns
ERROR VOLTAGE RANGE (PIN 1)						
Error Voltage Reference	1	Adjust $R_T$ ; Observe Pin 6 Min/Max Frequency Range	5.9	6.8	7.5	V
CHARGE CURRENT (PIN 14)						
Charge Current	14	Adjust $R_T$ , $V_1 = 7.5\text{V}$ ; Set $V_{14} = 0\text{V}$ , Then $V_{14} = 2.5\text{V}$	190	220	250	$\mu\text{A}$
Discharge Current	14	Adjust $R_T = 5.9\text{V}$ ; Set $V_{14} = 5.5\text{V}$ , Then 5V	95	110	125	$\mu\text{A}$
Slow Start Discharge Current	14	Maintain $V_{14} = 5\text{V}$ , $V_{10} = 5.5\text{V}$ Set $V_{10} = 5.5\text{V}$ , Measure $I_{14}$ (Hi) Set $V_{10} = 4\text{V}$ , Measure $I_{14}$ (Lo) Limits = $I_{14}$ (Hi) - $I_{14}$ (Lo) 1.5	20	30	40	$\mu\text{A}/\text{V}$
LOGIC TESTS						
Discharge Voltage	10	Pin 12 = 1k $\Omega$ to GND	1.7	2.4	3.2	V
Output Inhibit Voltage	7	Increase $V_7$ Until $V_9 \geq 2\text{V}$	7.9	8.4	9.1	V
Overcurrent Trip Voltage	11	$V_{12} = 5\text{V}$ ; $V_{10} = 0\text{V}$ ; Increase $V_{11}$ Until $V_9 \leq 0.5\text{V}$	1.1	1.25	1.4	V

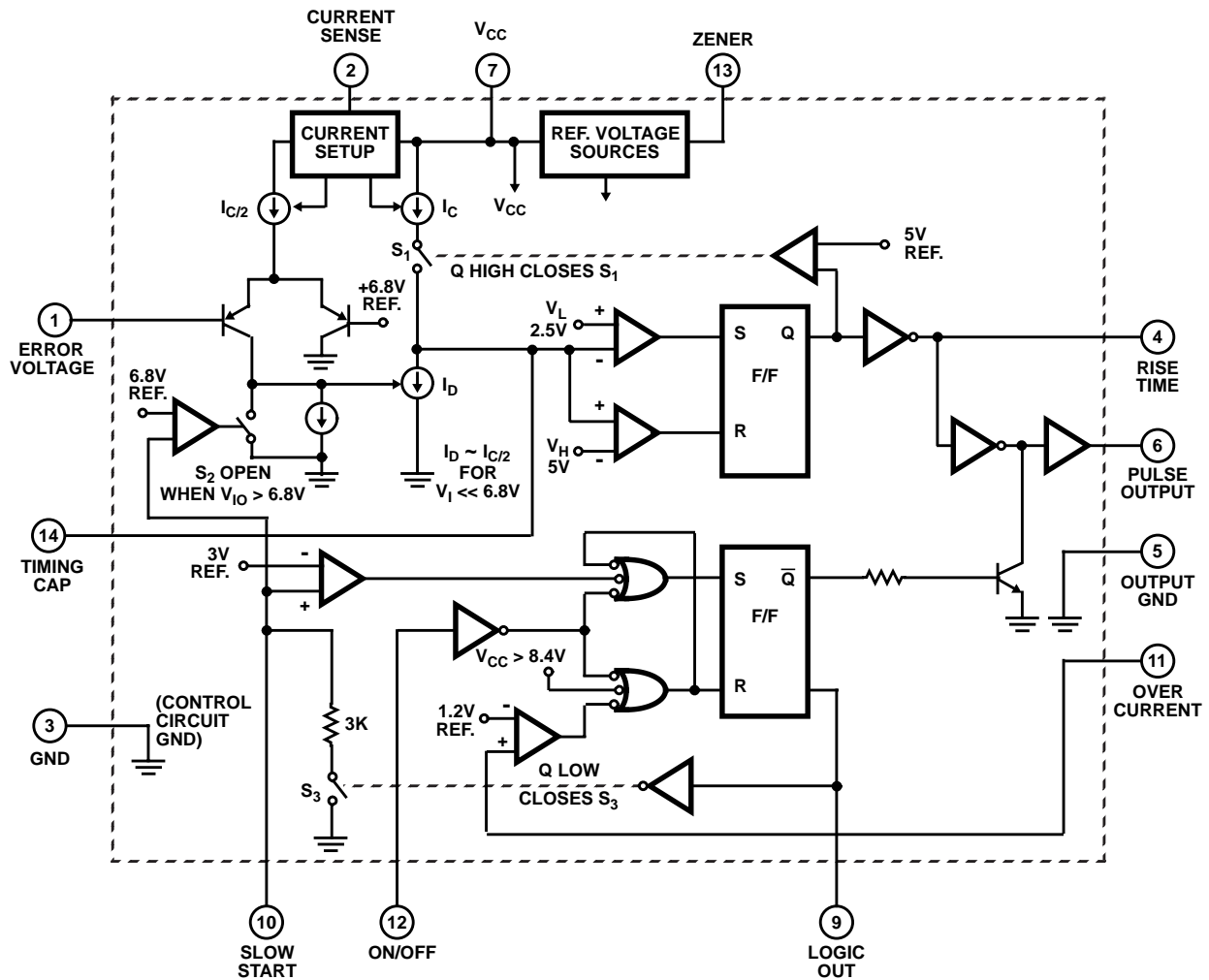
### Other Desirable Features

Other desirable features along with various circuit block function explanations are listed below.

- The **Oscillator** is a sawtooth generator whose charge (rise) cycle determines the output pulse width and discharge which is continuously variable from very low to maximum of  $I_{CHARGE}$ .
- Charge  $I_{CHARGE} = I_O - I_{DISCHARGE}$  giving 2 to 1 pulse-width control
- Discharge  $I_{DISCHARGE} =$  approximately 0 to 1/2  $I_O$  to frequency control.
- **Pulse Shaping:** Applied to the oscillator output via RS Flip-Flop with parallel inhibit controlled by slow-start over-current sense, supply voltage monitor and ON/OFF functions.
- **Pulse Rise Time:** Modified to meet RFI requirements by external slow-down capacitor.

- **Slow Start with Reset:** Externally programmed against internal 3V reference. Reset is initiated upon Inhibit ensuring soft start at power up and restart.
- **Over Current Sense:** Internal stable thresholds of 1.2V.
- **Supply Voltage Monitors:** Locks out the drive until  $V_{SUPPLY}$  has reached 8V-9V.
- **ON/OFF:** Activates regulator independent of raw DC.
- **Error Amplifier:** Compares output against a stable 6.8V internal reference and controls the discharge current sink on the timing capacitor.
- **Band-Gap:** Reference voltage (internal) provides temperature compensated 1.2V and 6.8V references.
- **Separate GND:** The power GND is separated from circuit ground for improved noise.
- **ESD Protection:** Pins are protected against ESD.

### Block Diagram



# CA1523

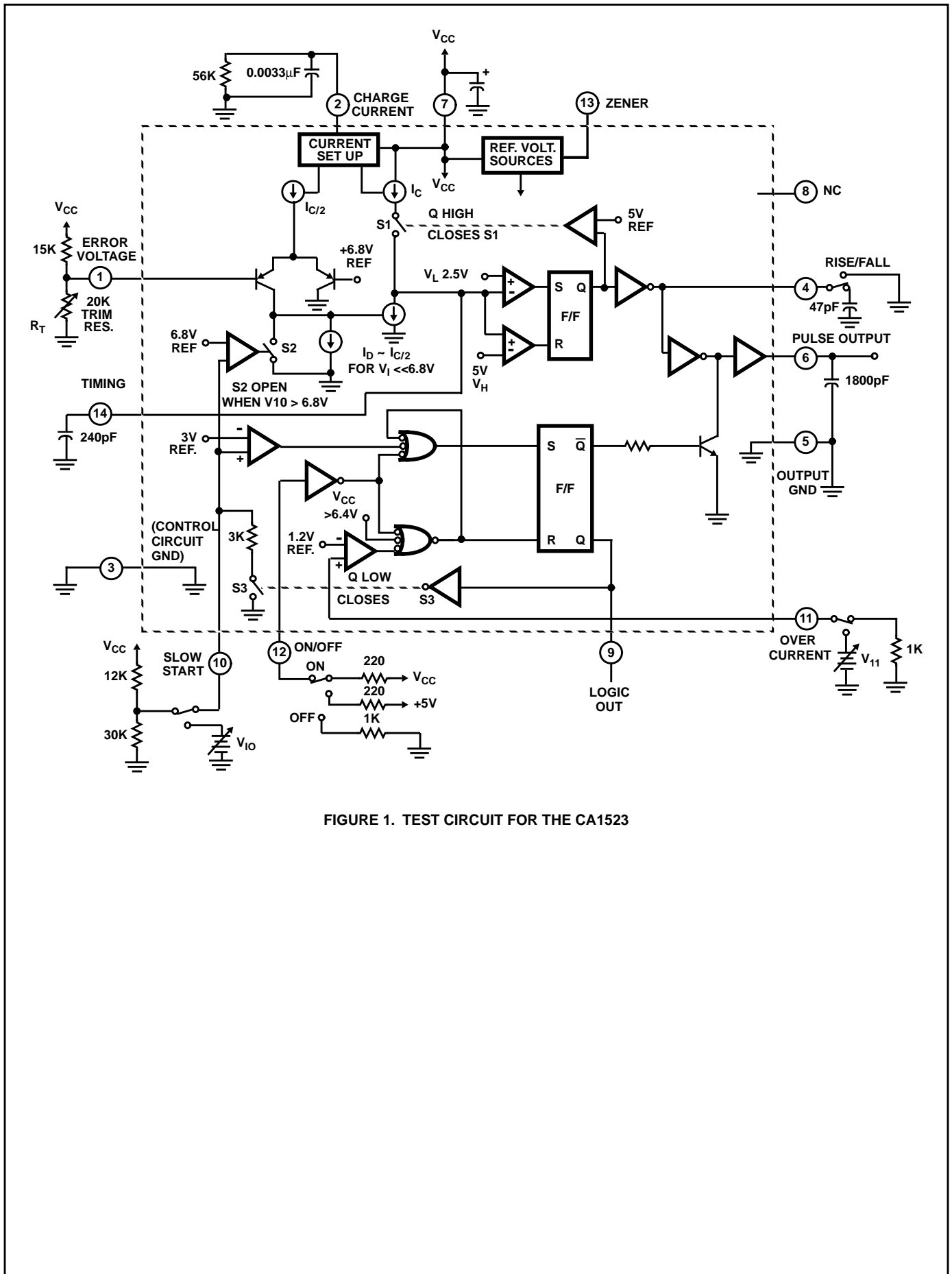


FIGURE 1. TEST CIRCUIT FOR THE CA1523

# CA1523

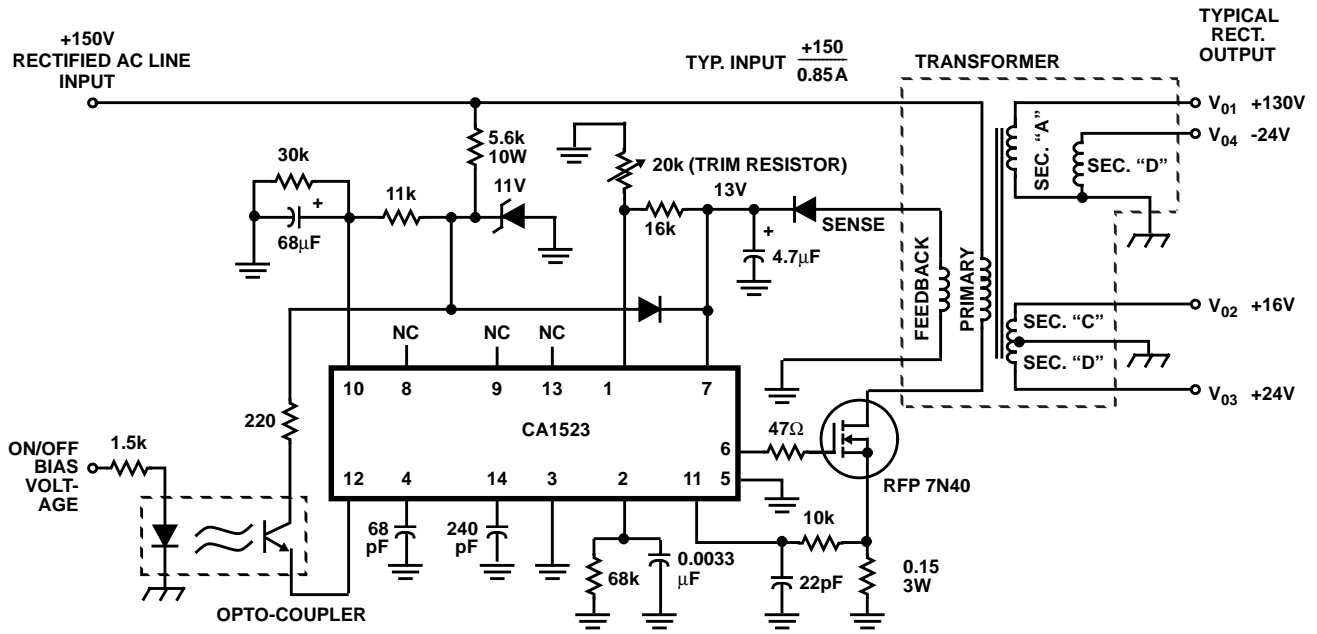


FIGURE 2. TYPICAL APPLICATION CIRCUIT FOR THE CA1523

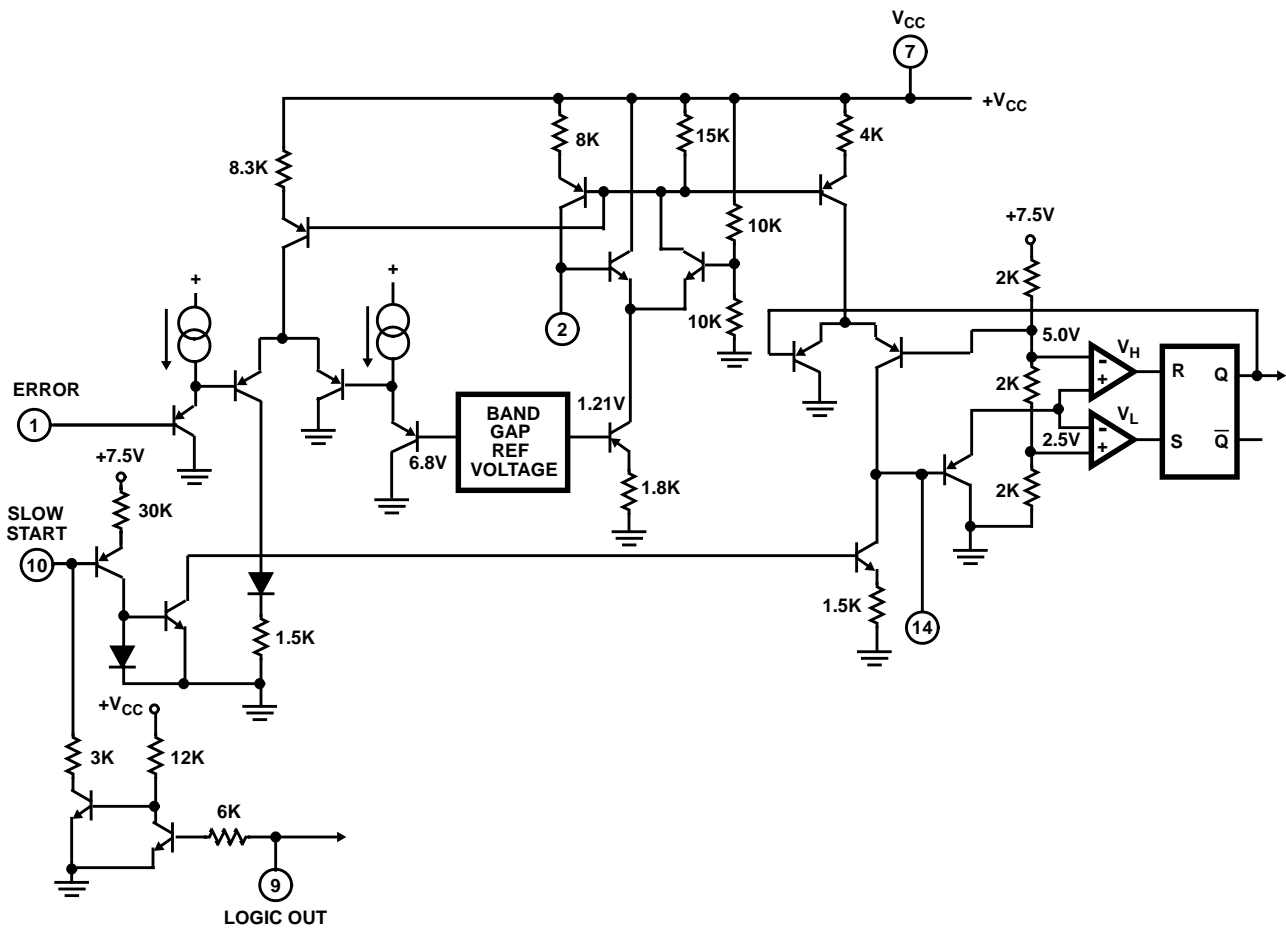


FIGURE 3. TIMING CIRCUIT FOR THE CA1523

All Intersil semiconductor products are manufactured, assembled and tested under **ISO9000** quality systems certification.

*Intersil products are sold by description only. Intersil Corporation reserves the right to make changes in circuit design and/or specifications at any time without notice. Accordingly, the reader is cautioned to verify that data sheets are current before placing orders. Information furnished by Intersil is believed to be accurate and reliable. However, no responsibility is assumed by Intersil or its subsidiaries for its use; nor for any infringements of patents or other rights of third parties which may result from its use. No license is granted by implication or otherwise under any patent or patent rights of Intersil or its subsidiaries.*

For information regarding Intersil Corporation and its products, see web site <http://www.intersil.com>

### **Sales Office Headquarters**

#### **NORTH AMERICA**

Intersil Corporation  
P. O. Box 883, Mail Stop 53-204  
Melbourne, FL 32902  
TEL: (407) 727-9207  
FAX: (407) 724-7240

#### **EUROPE**

Intersil SA  
Mercure Center  
100, Rue de la Fusee  
1130 Brussels, Belgium  
TEL: (32) 2.724.2111  
FAX: (32) 2.724.22.05

#### **ASIA**

Intersil (Taiwan) Ltd.  
Taiwan Limited  
7F-6, No. 101 Fu Hsing North Road  
Taipei, Taiwan  
Republic of China  
TEL: (886) 2 2716 9310  
FAX: (886) 2 2715 3029