

# CAT24FC16

## 16-kb I<sup>2</sup>C Serial EEPROM

### FEATURES

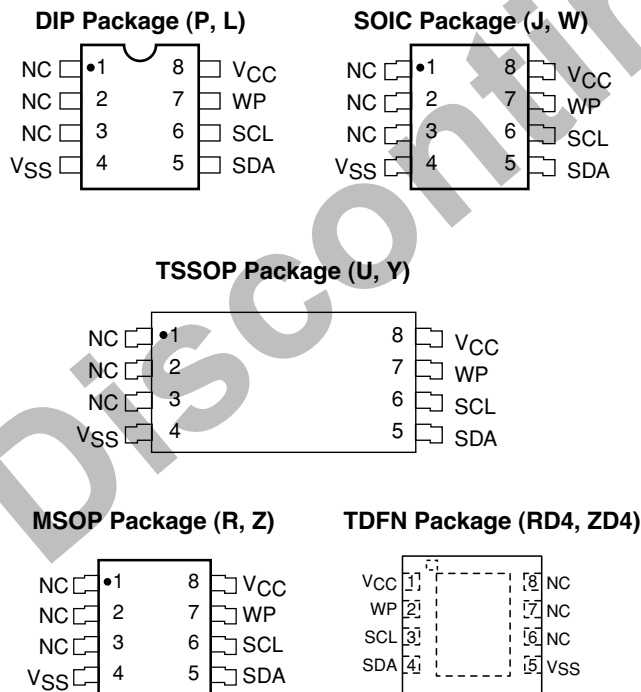
- 400 kHz (2.5 V) I<sup>2</sup>C bus compatible
- 2.5 to 5.5 volt operation
- Low power CMOS technology
- 16-byte page write buffer
- Industrial and extended temperature ranges
- Self-timed write cycle with auto-clear
- 1,000,000 program/erase cycles
- 100 year data retention
- 8-pin DIP, SOIC, TSSOP, MSOP and TDFN packages
- “Green” package option available
- 2,048 x 8 memory organization
- Hardware write protect

### DESCRIPTION

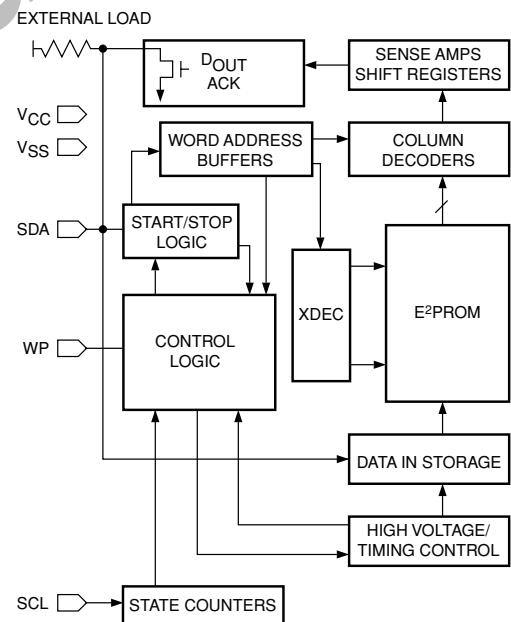
The CAT24FC16 is a 16-kb Serial CMOS EEPROM internally organized as 2048 words of 8 bits each. Catalyst’s advanced CMOS technology substantially reduces device power requirements. The CAT24FC16

features a 16-byte page write buffer. The device operates via the I<sup>2</sup>C bus serial interface and is available in 8-pin DIP, SOIC, TSSOP, MSOP and TDFN packages.

### PIN CONFIGURATION



### BLOCK DIAGRAM



### PIN FUNCTIONS

Pin Name	Function
NC	No Connect
SDA	Serial Data/Address
SCL	Serial Clock
WP	Write Protect
V <sub>CC</sub>	2.5 V to 5.5 V Power Supply
V <sub>SS</sub>	Ground

\* Catalyst Semiconductor is licensed by Philips Corporation to carry the I<sup>2</sup>C Bus Protocol.

**ABSOLUTE MAXIMUM RATINGS\***

Temperature Under Bias	-55°C to +125°C
Storage Temperature	-65°C to +150°C
Voltage on Any Pin with Respect to Ground <sup>(1)</sup>	-2.0 V to V <sub>CC</sub> + 2.0 V
V <sub>CC</sub> with Respect to Ground	-2.0 V to +7.0 V
Package Power Dissipation Capability (T <sub>A</sub> = 25°C)	1.0 W

Lead Soldering Temperature (10 seconds) ..... 300°C  
 Output Short Circuit Current<sup>(2)</sup> ..... 100 mA

**\*COMMENT**

Stresses above those listed under “Absolute Maximum Ratings” may cause permanent damage to the device. These are stress ratings only, and functional operation of the device at these or any other conditions outside of those listed in the operational sections of this specification is not implied. Exposure to any absolute maximum rating for extended periods may affect device performance and reliability.

**RELIABILITY CHARACTERISTICS<sup>(3)</sup>**

Symbol	Parameter	Min	Typ	Max	Units
N <sub>END</sub>	Endurance	1,000,000			Cycles/Byte
T <sub>DR</sub>	Data Retention	100			Years
V <sub>ZAP</sub>	ESD Susceptibility	4000			Volts
I <sub>LTH</sub> <sup>(4)</sup>	Latch-up	100			mA

**D.C. OPERATING CHARACTERISTICS**

V<sub>CC</sub> = 2.5 V to 5.5 V, unless otherwise specified.

Symbol	Parameter	Test Conditions	Min	Typ	Max	Units
I <sub>CC</sub>	Power Supply Current (Read)	f <sub>SCL</sub> = 400 kHz			1	mA
I <sub>CC</sub>	Power Supply Current (Write)	f <sub>SCL</sub> = 400 kHz			3	mA
I <sub>SB</sub> <sup>(5)</sup>	Standby Current (V <sub>CC</sub> = 5.0 V)	V <sub>IN</sub> = GND or V <sub>CC</sub>			1	μA
I <sub>LI</sub>	Input Leakage Current	V <sub>IN</sub> = GND to V <sub>CC</sub>			1	μA
I <sub>LO</sub>	Output Leakage Current	V <sub>OUT</sub> = GND to V <sub>CC</sub>			1	μA
V <sub>IL</sub>	Input Low Voltage		-1		V <sub>CC</sub> x 0.3	V
V <sub>IH</sub>	Input High Voltage		V <sub>CC</sub> x 0.7		V <sub>CC</sub> + 1.0	V
V <sub>OL</sub>	Output Low Voltage (V <sub>CC</sub> = 3.0 V)	I <sub>OL</sub> = 3 mA			0.4	V

**CAPACITANCE** T<sub>A</sub> = 25°C, f = 400 kHz, V<sub>CC</sub> = 5 V

Symbol	Test	Conditions	Min	Typ	Max	Units
C <sub>I/O</sub> <sup>(3)</sup>	Input/Output Capacitance (SDA)	V <sub>I/O</sub> = 0 V			8	pF
C <sub>IN</sub> <sup>(3)</sup>	Input Capacitance (other pins)	V <sub>IN</sub> = 0 V			6	pF

Note:

- (1) The minimum DC input voltage is -0.5 V. During transitions, inputs may undershoot to -2.0 V for periods of less than 20 ns. Maximum DC voltage on output pins is V<sub>CC</sub> + 0.5 V, which may overshoot to V<sub>CC</sub> + 2.0 V for periods of less than 20 ns.
- (2) Output shorted for no more than one second. No more than one output shorted at a time.
- (3) These parameters are tested initially and after a design or process change that affects the parameter according to appropriate AEC-Q100 and JEDEC test methods.
- (4) Latch-up protection is provided for stresses up to 100 mA on address and data pins from -1.0 V to V<sub>CC</sub> + 1.0 V.
- (5) Maximum standby current (I<sub>SB</sub>) = 10μA for the Extended Automotive temperature range.

**A.C. CHARACTERISTICS**

$V_{CC} = 2.5\text{ V}$  to  $5.5\text{ V}$ , unless otherwise specified.

**Read & Write Cycle Limits**

Symbol	Parameter	2.5 V - 5.5 V		Units
		Min	Max	
$F_{SCL}$	Clock Frequency		400	kHz
$T_I^{(1)}$	Noise Suppression Time Constant at SCL, SDA Inputs		100	ns
$t_{AA}$	SCL Low to SDA Data Out and ACK Out		900	ns
$t_{BUF}^{(1)}$	Time the Bus Must be Free Before a New Transmission Can Start	1300		ns
$t_{HD:STA}$	Start Condition Hold Time	600		ns
$t_{LOW}$	Clock Low Period	1300		ns
$t_{HIGH}$	Clock High Period	600		ns
$t_{SU:STA}$	Start Condition Setup Time (for a Repeated Start Condition)	600		ns
$t_{HD:DAT}$	Data In Hold Time	0		ns
$t_{SU:DAT}$	Data In Setup Time	100		ns
$t_R^{(1)}$	SDA and SCL Rise Time		300	ns
$t_F^{(1)}$	SDA and SCL Fall Time		300	ns
$t_{SU:STO}$	Stop Condition Setup Time	600		ns
$t_{DH}$	Data Out Hold Time	100		ns

**Power-Up Timing<sup>(1)(2)</sup>**

Symbol	Parameter	Min	Typ	Max	Units
$t_{PUR}$	Power-up to Read Operation			1	ms
$t_{PUW}$	Power-up to Write Operation			1	ms

**Write Cycle Limits**

Symbol	Parameter	Min	Typ	Max	Units
$t_{WR}$	Write Cycle Time			5	ms

The write cycle time is the time from a valid stop condition of a write sequence to the end of the internal program/erase cycle. During the write cycle, the bus

interface circuits are disabled, SDA is allowed to remain high, and the device does not respond to its slave address.

Note:

(1) This parameter is tested initially and after a design or process change that affects the parameter.

(2)  $t_{PUR}$  and  $t_{PUW}$  are the delays required from the time  $V_{CC}$  is stable until the specified operation can be initiated.

## FUNCTIONAL DESCRIPTION

The CAT24FC16 supports the I<sup>2</sup>C Bus data transmission protocol. This Inter-Integrated Circuit Bus protocol defines any device that sends data to the bus to be a transmitter and any device receiving data to be a receiver. Data transfer is controlled by the Master device which generates the serial clock and all START and STOP conditions for bus access. The CAT24FC16 operates as a Slave device. Both the Master and Slave devices can operate as either transmitter or receiver, but the Master device controls which mode is activated.

## PIN DESCRIPTIONS

### SCL: Serial Clock

The CAT24FC16 serial clock input pin is used to clock all data transfers into or out of the device. This is an input pin.

### SDA: Serial Data/Address

The CAT24FC16 bidirectional serial data/address pin is used to transfer data into and out of the device. The SDA pin is an open drain output and can be wire-ORed with other open drain or open collector outputs.

### WP: Write Protect

This input, when tied to GND, allows write operations to the entire memory. For CAT24FC16 when this pin is tied to V<sub>CC</sub>, the entire array of memory is write protected. When left floating, memory is unprotected.

Figure 1. Bus Timing

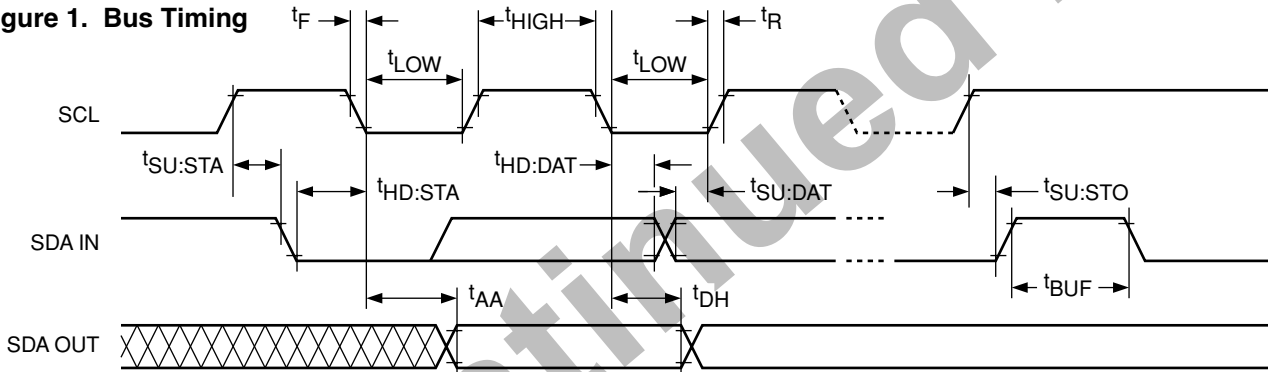


Figure 2. Write Cycle Timing

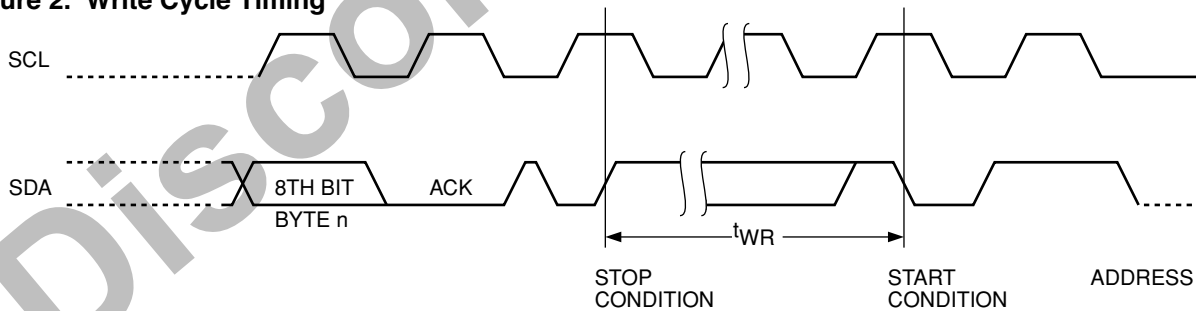
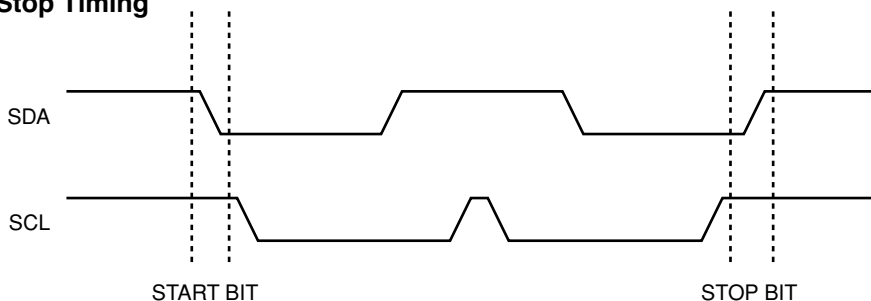


Figure 3. Start/Stop Timing



## I<sup>2</sup>C BUS PROTOCOL

The following defines the features of the I<sup>2</sup>C bus protocol:

- (1) Data transfer may be initiated only when the bus is not busy.
- (2) During a data transfer, the data line must remain stable whenever the clock line is high. Any changes in the data line while the clock line is high will be interpreted as a START or STOP condition.

### START Condition

The START Condition precedes all commands to the device, and is defined as a HIGH to LOW transition of SDA when SCL is HIGH. The CAT24FC16 monitor the SDA and SCL lines and will not respond until this condition is met.

### STOP Condition

A LOW to HIGH transition of SDA when SCL is HIGH determines the STOP condition. All operations must end with a STOP condition.

## DEVICE ADDRESSING

The Master begins a transmission by sending a START condition. The Master then sends the address of the particular slave device it is requesting. The four most significant bits of the 8-bit slave address are fixed as 1010 for the CAT24FC16 (see Fig. 5). The next three significant bits (A10, A9, A8) are the memory array address bits. The last bit of the slave address specifies

whether a Read or Write operation is to be performed. When this bit is set to 1, a Read operation is selected, and when set to 0, a Write operation is selected.

After the Master sends a START condition and the slave address byte, the CAT24FC16 monitors the bus and responds with an acknowledge (on the SDA line) when its address matches the transmitted slave address. The CAT24FC16 then performs a Read or a Write operation depending on the state of the R/W bit.

### Acknowledge

After a successful data transfer, each receiving device is required to generate an acknowledge. The Acknowledging device pulls down the SDA line during the ninth clock cycle, signaling that it received the 8 bits of data.

The CAT24FC16 responds with an acknowledge after receiving a START condition and its slave address. If the device has been selected along with a write operation, it responds with an acknowledge after receiving each byte.

When the CAT24FC16 begins a READ mode, it transmits 8 bits of data, releases the SDA line, and monitors the line for an acknowledge. Once it receives this acknowledge, the CAT24FC16 will continue to transmit data. If no acknowledge is sent by the Master, the device terminates data transmission and waits for a STOP condition.

Figure 4. Acknowledge Timing

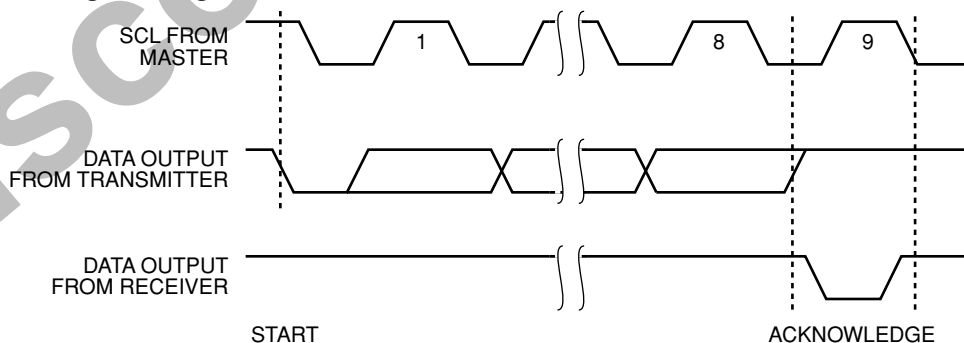
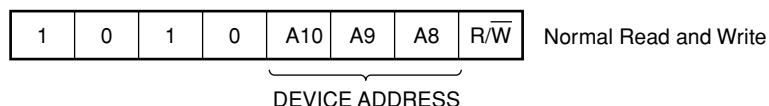


Figure 5. Slave Address Bits



## WRITE OPERATIONS

### Byte Write

In the Byte Write mode, the Master device sends the START condition and the slave address information (with the R/W bit set to zero) to the Slave device. After the Slave generates an acknowledge, the Master sends the byte address that is to be written into the address pointer of the CAT24FC16. After receiving another acknowledge from the Slave, the Master device transmits the data byte to be written into the addressed memory location. The CAT24FC16 acknowledges once more and the Master generates the STOP condition, at which time the device begins its internal programming to nonvolatile memory. While this internal cycle is in progress, the device will not respond to any request from the Master device.

### Page Write

The CAT24FC16 writes up to 16 bytes of data in a single write cycle, using the Page Write operation. The Page Write operation is initiated in the same manner as the Byte Write operation, however instead of terminating after the initial word is transmitted, the Master is allowed to send up to 15 additional bytes. After each byte has been transmitted the CAT24FC16 will respond with an acknowledge, and internally increment the low order address bits by one. The high order bits remain unchanged.

If the Master transmits more than 16 bytes prior to sending the STOP condition, the address counter 'wraps around', and previously transmitted data will be overwritten.

Once all 16 bytes are received and the STOP condition has been sent by the Master, the internal programming cycle begins. At this point all received data is written to the CAT24FC16 in a single write cycle.

### Acknowledge Polling

The disabling of the inputs can be used to take advantage of the typical write cycle time. Once the stop condition is issued to indicate the end of the host's write operation, the CAT24FC16 initiates the internal write cycle. ACK polling can be initiated immediately. This involves issuing the start condition followed by the slave address for a write operation. If the CAT24FC16 is still busy with the write operation, no ACK will be returned. If the CAT24FC16 has completed the write operation, an ACK will be returned and the host can then proceed with the next read or write operation.

## WRITE PROTECTION

The CAT24FC16 is designed with a hardware protect pin that enables the user to protect the entire memory. The hardware protection feature of the CAT24FC16 is designed into the part to provide added flexibility to the design engineers. The write protection feature of CAT24FC16 allows the user to protect against inadvertent programming of the memory array. If the WP pin is tied to Vcc, the entire memory array is protected and becomes read only. The entire memory becomes write protected regardless of whether the write protect register has been written or not. When WP pin is tied to Vcc, the user cannot program the write protect register. If the WP pin is left floating or tied to Vss, the device can be written into.

Figure 6. Byte Write Timing

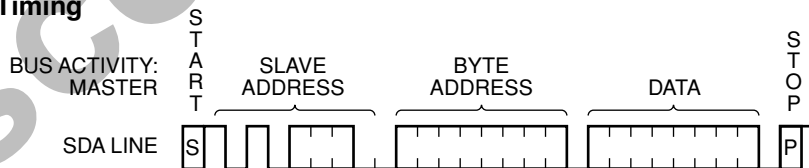
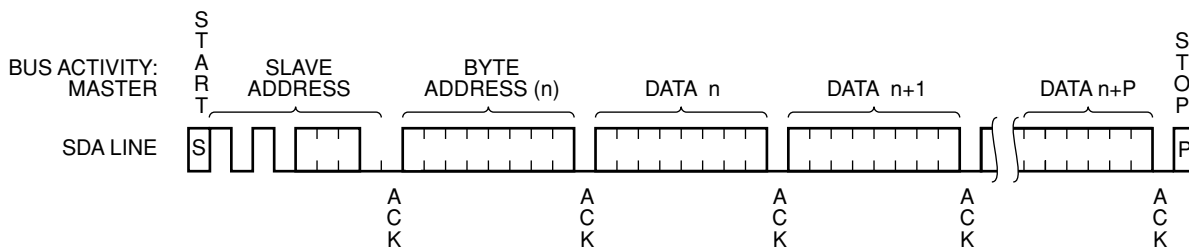


Figure 7. Page Write Timing



NOTE: IN THIS EXAMPLE n = XXXX 0000(B); X = 1 or 0

## Read Operations

The READ operation for the CAT24FC16 is initiated in the same manner as the write operation with the one exception that the R/W bit is set to a one. Three different READ operations are possible: Immediate Address READ, Selective READ and Sequential READ.

### Immediate Address Read

The CAT24FC16's address counter contains the address of the last byte accessed, incremented by one. In other words, if the last READ or WRITE access was to address N, the READ immediately following would access data from address N + 1. If N = 2047 for 24FC16, then the counter will 'wrap around' to address 0 and continue to clock out data. After the CAT24FC16 receives its slave address information (with the R/W bit set to one), it issues an acknowledge, then transmits the 8-bit byte requested. The master device does not send an acknowledge but will generate a STOP condition.

### Selective Read

Selective READ operations allow the Master device to select at random any memory location for a READ operation. The Master device first performs a 'dummy' write operation by sending the START condition, slave address and byte address of the location it wishes to read. After the CAT24FC16 acknowledge the word address, the Master device resends the START condition and the slave address, this time with the R/W bit set to one. The CAT24FC16 then responds with its acknowledge and sends the 8-bit byte requested. The master device does not send an acknowledge but will generate a STOP condition.

## Sequential Read

The Sequential READ operation can be initiated by either the Immediate Address READ or Selective READ operations. After the CAT24FC16 sends the initial 8-bit data requested, the Master will respond with an acknowledge which tells the device it requires more data. The CAT24FC16 will continue to output a byte for each acknowledge sent by the Master. The operation will terminate operation when the Master fails to respond with an acknowledge, thus sending the STOP condition.

The data being transmitted from the CAT24FC16 is outputted sequentially with data from address N followed by data from address N + 1. The READ operation address counter increments all of the CAT24FC16 address bits so that the entire memory array can be read during one operation. If more than the 2047 bytes are read out, the counter will "wrap around" and continue to clock out data bytes.

Figure 8. Immediate Address Read Timing

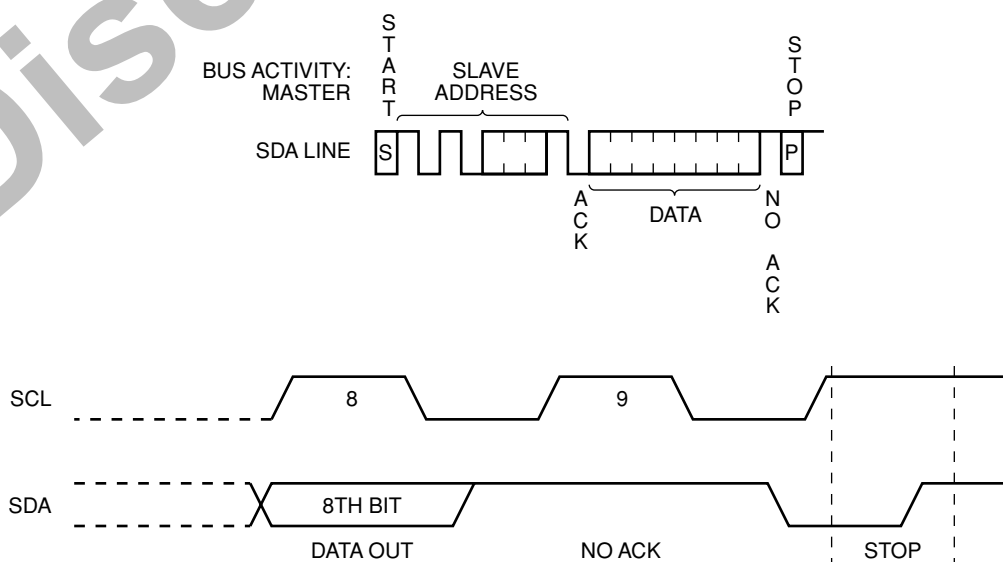


Figure 9. Selective Read Timing

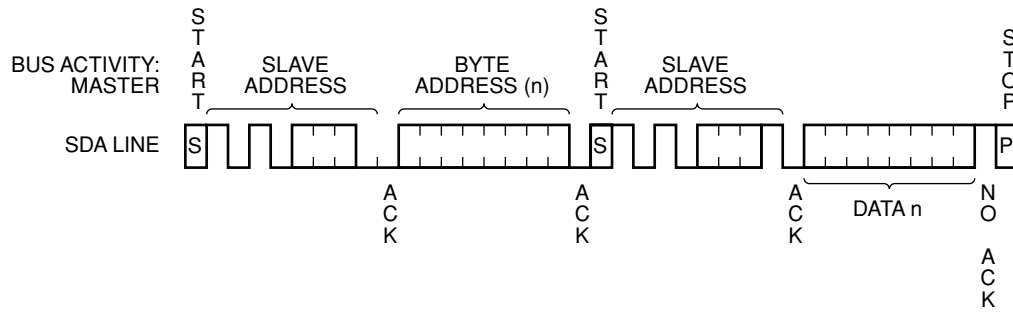
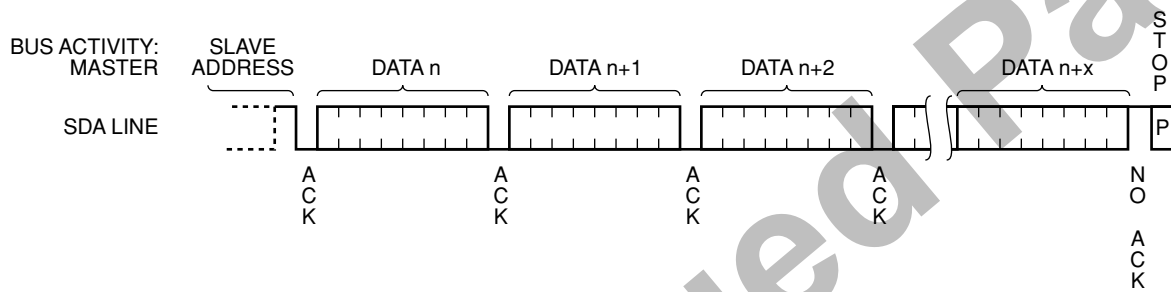
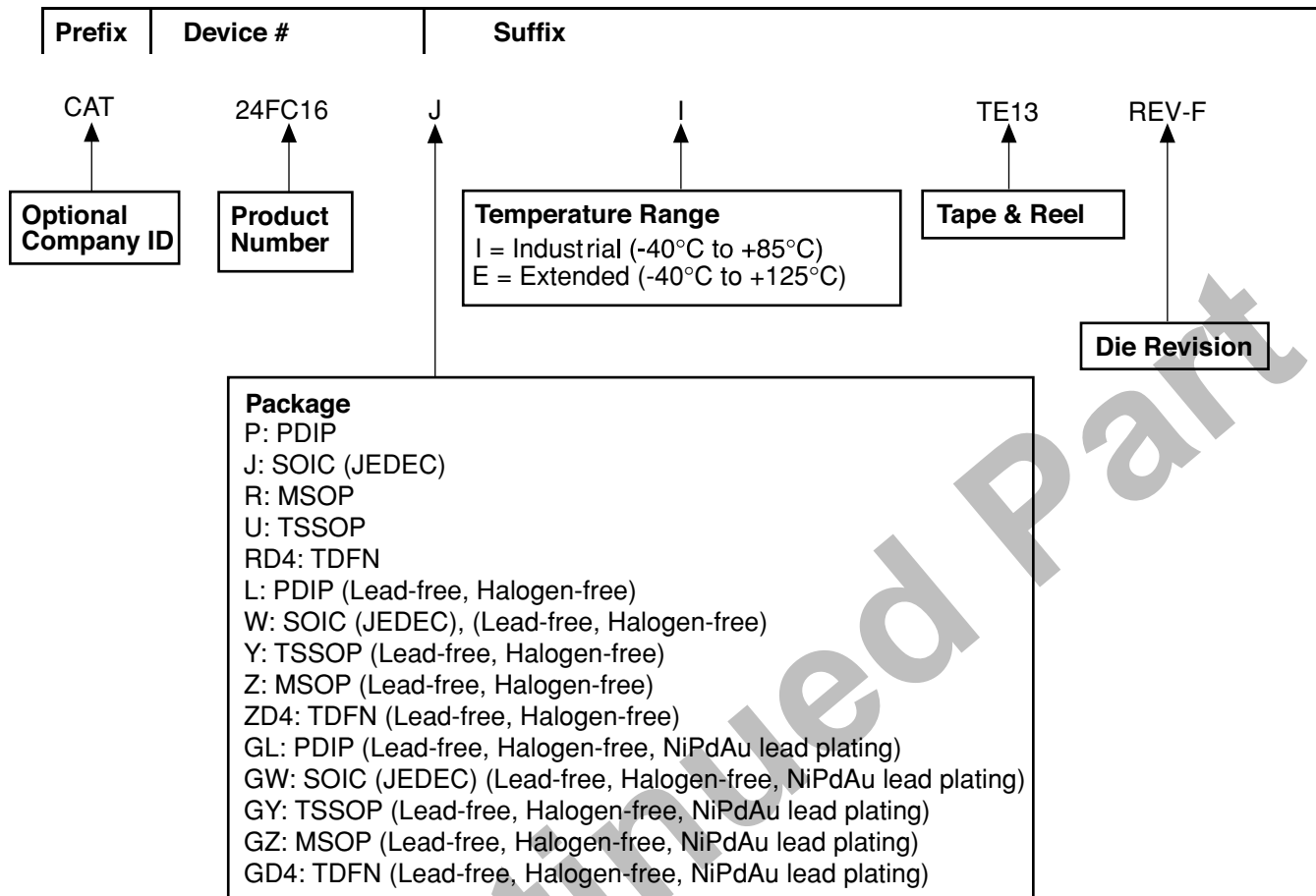


Figure 10. Sequential Read Timing





**ORDERING INFORMATION**



Notes:

(1) The device used in the above example is a 24FC16JI-TE13 (SOIC, Industrial Temperature, 2.5 Volt to 5.5 Volt Operating Voltage, Tape & Reel)

**REVISION HISTORY**

Date	Revision	Comments
11/18/03	A	Initial Issue
12/09/03	B	Changed Industrial Temp to “ I” from “ Blank” in ordering information
03/10/04	C	Corrected TDFN ordering info
04/02/04	D	Eliminated data sheet designation Removed reference to a write protect register in “ Write Protection”
05/15/04	E	D.C. Operating Characteristics Write Cycle Limits Update Ordering Information Update Revision History Update Rev Number
06/07/04	F	Update Write Cycle Limits
7/27/04	G	Update notes on page 2
03/24/05	H	Updated Features Updated Description Updated Pin Function Updated Reliability Characteristics Updated Operating Characteristics Updated A.C. Characteristics Updated Ordering Information
06/23/05	I	Update Ordering Information

---

**Copyrights, Trademarks and Patents**

Trademarks and registered trademarks of Catalyst Semiconductor include each of the following:

DPP™ DPPs™ AE<sup>2</sup>™

Catalyst Semiconductor has been issued U.S. and foreign patents and has patent applications pending that protect its products. For a complete list of patents issued to Catalyst Semiconductor contact the Company's corporate office at 408.542.1000.

*CATALYST SEMICONDUCTOR MAKES NO WARRANTY, REPRESENTATION OR GUARANTEE, EXPRESS OR IMPLIED, REGARDING THE SUITABILITY OF ITS PRODUCTS FOR ANY PARTICULAR PURPOSE, NOR THAT THE USE OF ITS PRODUCTS WILL NOT INFRINGE ITS INTELLECTUAL PROPERTY RIGHTS OR THE RIGHTS OF THIRD PARTIES WITH RESPECT TO ANY PARTICULAR USE OR APPLICATION AND SPECIFICALLY DISCLAIMS ANY AND ALL LIABILITY ARISING OUT OF ANY SUCH USE OR APPLICATION, INCLUDING BUT NOT LIMITED TO, CONSEQUENTIAL OR INCIDENTAL DAMAGES.*

Catalyst Semiconductor products are not designed, intended, or authorized for use as components in systems intended for surgical implant into the body, or other applications intended to support or sustain life, or for any other application in which the failure of the Catalyst Semiconductor product could create a situation where personal injury or death may occur.

Catalyst Semiconductor reserves the right to make changes to or discontinue any product or service described herein without notice. Products with data sheets labeled "Advance Information" or "Preliminary" and other products described herein may not be in production or offered for sale.

Catalyst Semiconductor advises customers to obtain the current version of the relevant product information before placing orders. Circuit diagrams illustrate typical semiconductor applications and may not be complete.

---



**CATALYST**

Catalyst Semiconductor, Inc.  
Corporate Headquarters  
1250 Borregas Avenue  
Sunnyvale, CA 94089  
Phone: 408.542.1000  
Fax: 408.542.1200  
[www.catalyst-semiconductor.com](http://www.catalyst-semiconductor.com)

Publication #: 1054  
Revision: I  
Issue date: 06/23/05