



CAT431L

Low-Voltage Adjustable Precision Voltage Reference

- 0.5% Tolerance - SOT23 and TO92 Packages - Low Startup Overshoot

FEATURES

- Low startup overshoot
- Wide current operation: 40µA to 100mA
- Low temperature coefficient reference: ±12mV max deviation over temperature
- Accurate 1.24V reference voltage: ±0.5% (±6mV) at 25°C
- Low dynamic impedance: 0.3Ω at 1kHz
- Compact 3-lead SOT23 package option
- Industrial temperature range: -40°C to 85°C
- Adjustable output voltage: V_{REF} to 6V

APPLICATIONS

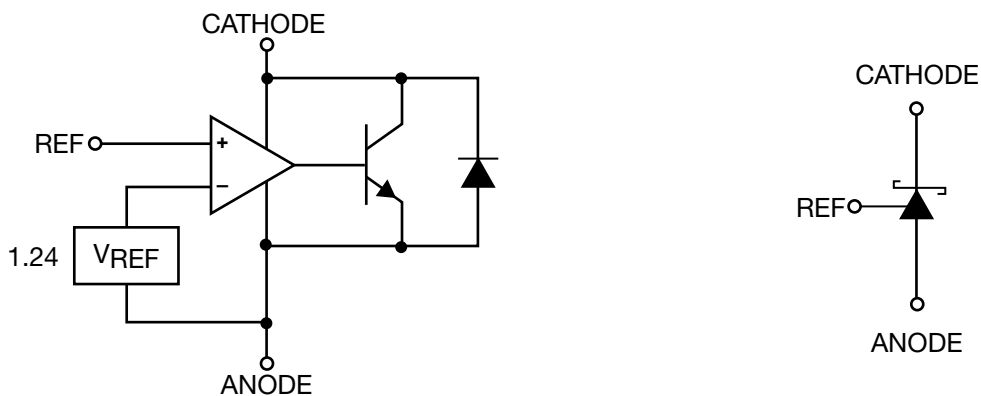
- SMPS control loop
- Shunt regulator
- Low temperature coefficient voltage reference
- Current limiting
- Over/Under voltage monitor
- 3V Off-line switching regulators

DESCRIPTION

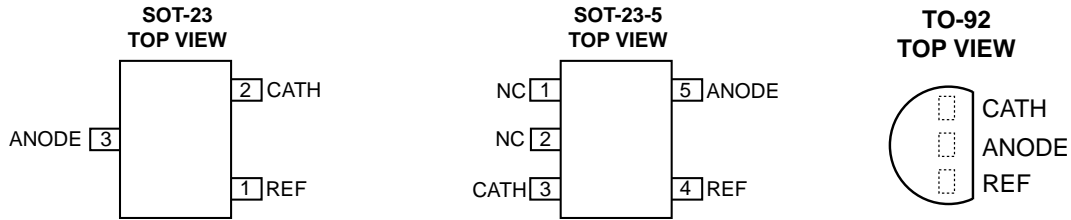
The CAT431L is a low-voltage three-terminal adjustable shunt voltage reference with guaranteed thermal stability over the industrial temperature range. The CAT431L has a lower 1.24V reference and wider operating current range than the widely used TL431 and TL431A shunt-regulator references. Compared to the TLV431/A, the CAT431L 1.24V reference is two times more accurate.

Minimal overshoot at startup and wide AC bandwidth make the CAT431L easy to apply in a wide set of applications. When used with an opto-coupler, the CAT431L is an ideal voltage reference in isolated feedback circuits for 3V to 3.3V switch-mode power supplies.

FUNCTIONAL DIAGRAM



PIN CONFIGURATION



PIN DESCRIPTIONS

Pin Name	Function
CATH	Output and supply terminal, must be greater than 1.24V for normal operation
REF	Input, nominally 1.24V in normal operation
ANODE	Ground and Substrate

ORDERING INFORMATION

Part Number	Package	Ambient Temperature Range
CAT431LEUR-TE7	3-Pin, SOT-23	-40° C to 85° C
CAT431LEUK-TE7	5-Pin, SOT-23	-40° C to 85° C
CAT431LEZR-TEAP	3-Pin, TO-92	-40° C to 85° C

TE7 = 7" Reel, 3,000 parts per reel
 TEAP = Ammopack, 3,000 parts per reel

ABSOLUTE MAXIMUM RATINGS

Cathode Voltage	18V
REF Current	3mA
Cathode, Anode Currents	150mA
Operating Junction Temperature	150°C
Lead Soldering Temperature (10 sec)	260°C
Storage Temperature Range	-65°C to +150°C

These are stress ratings only and functional operation is not implied. Exposure to absolute maximum ratings for prolonged time periods may affect device reliability. All voltages are with respect to ground.

ELECTRICAL CHARACTERISTICS

Electrical characteristics are guaranteed over the full operating temperature range of -40°C to +85°C with a junction temperature from -40°C to +105°C unless otherwise specified. Ambient temperature must be de-rated based upon power dissipation and package thermal characteristics.¹

Symbol	Parameter	Conditions	Min	Typ	Max	Units	
V_{REF}	Reference Voltage	$V_{REF}=V_{CATH}$ $I_{CATH}=10mA$	25° C	1.234	1.240	1.246	V
			TEMP	1.228	1.240	1.252	V
ΔV_{REF}	VREF Temperature deviation			4	12	mV	
$\frac{\Delta V_{REF}}{\Delta V_{CATH}}$	Ratio of V_{REF} Change to V_{CATH} Change (Line Reg; 1/gain)	$I_{CATH}=10mA$ $V_{CATH}=V_{REF}$ to 6V		0.3	1	mV/V	
I_{REF}	Reference input current	$I_{CATH}=10mA$		0.2	0.4	μA	
ΔI_{REF}	I_{REF} Temperature Deviation			0.04	0.2	μA	
$I_{CATH(min)}$	Minimum Cathode Current			18	40	μA	
$I_{CATH(OFF)}$	Off-State Cathode Current	$V_{REF}=0V$; $V_{CATH}=16V$			100	nA	
r_{CATH}	Dynamic Output Impedance	$I_{CATH}=0.1$ to 100mA $f=1.0kHz$		0.3	0.4	Ω	

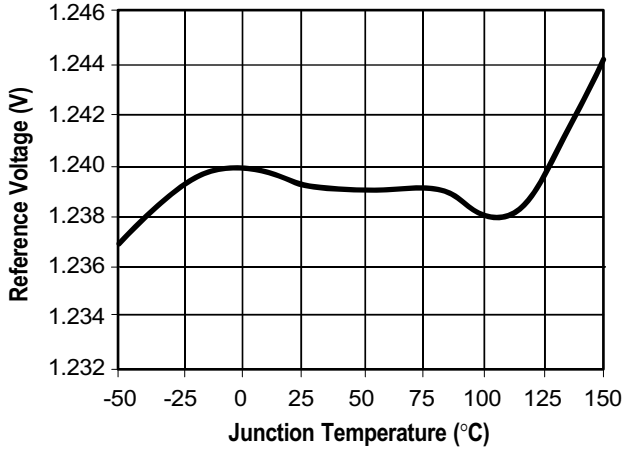
1. Thermal Characteristics (θ_{JA})
 3-lead, SOT-23: 336°C/W
 5-lead, SOT-23: 255
 3-pin, TO-92: 155

Recommended Operating Conditions

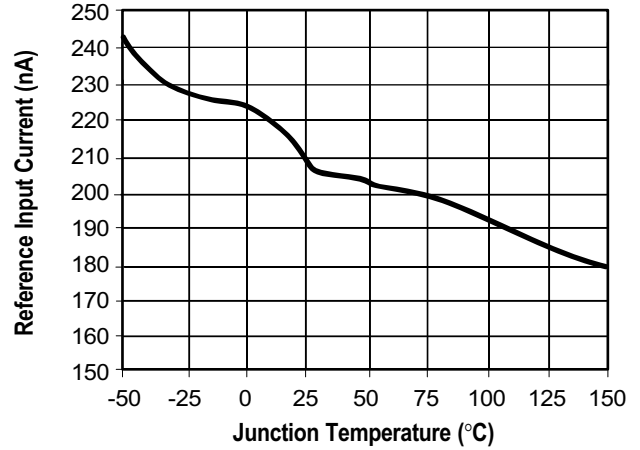
Parameter	Min	Max	Units
Cathode Voltage	VREF	6	V
Cathode Current	0.1	15	mA
Operating Ambient Temperature	-40	85	°C

TYPICAL PERFORMANCE CHARACTERISTICS

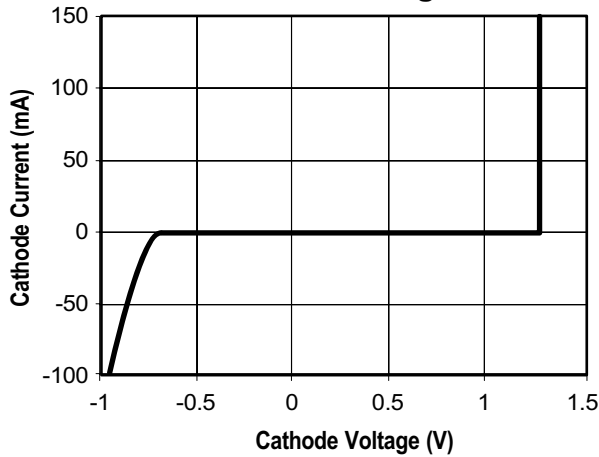
Reference Voltage
vs.
Junction Temperature



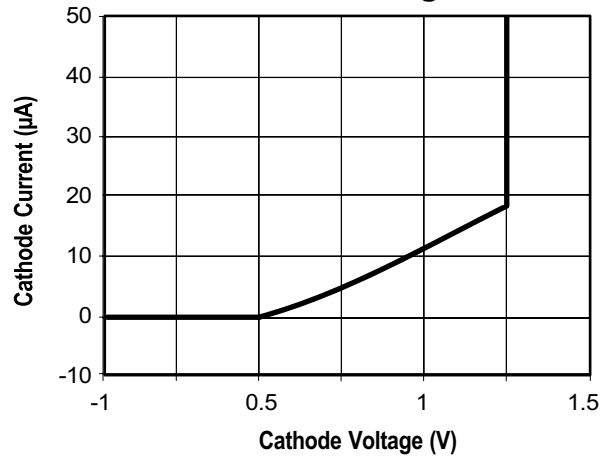
Reference Input Current
vs.
Junction Temperature



Cathode Current
vs.
Cathode Voltage

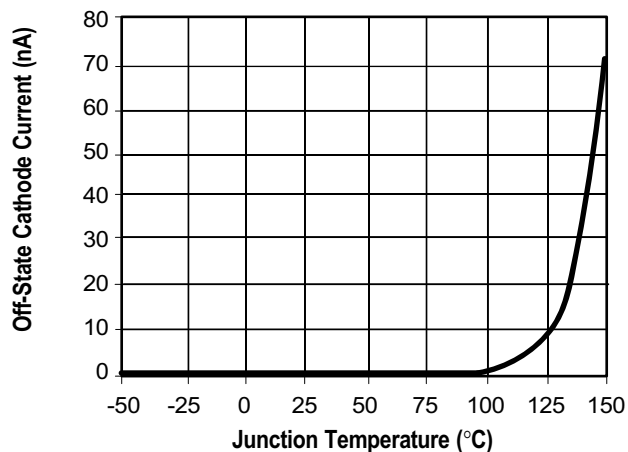


Cathode Current
vs.
Cathode Voltage

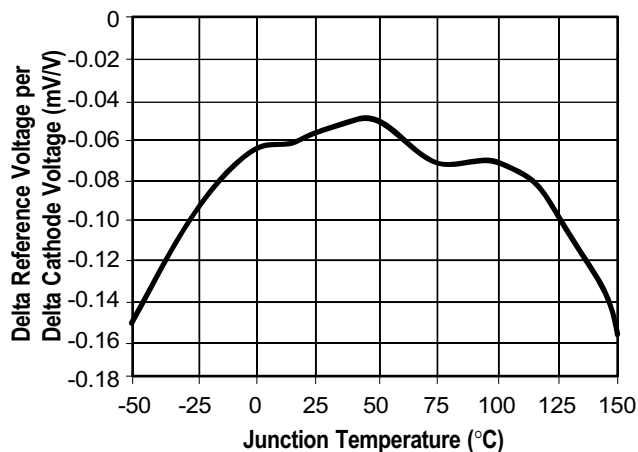


TYPICAL PERFORMANCE CHARACTERISTICS

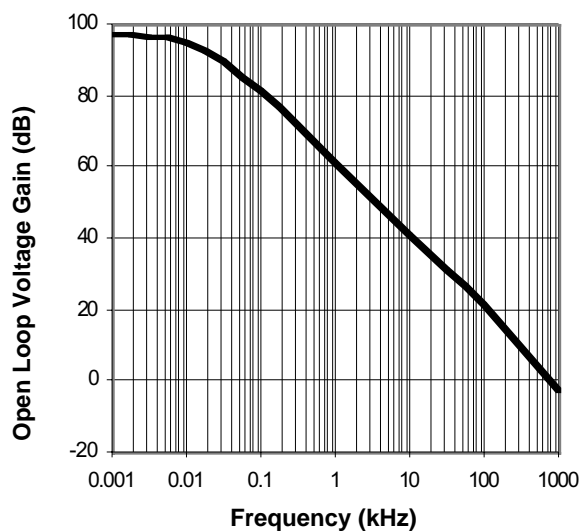
**Off-State Cathode Current
vs.
Junction Temperature**



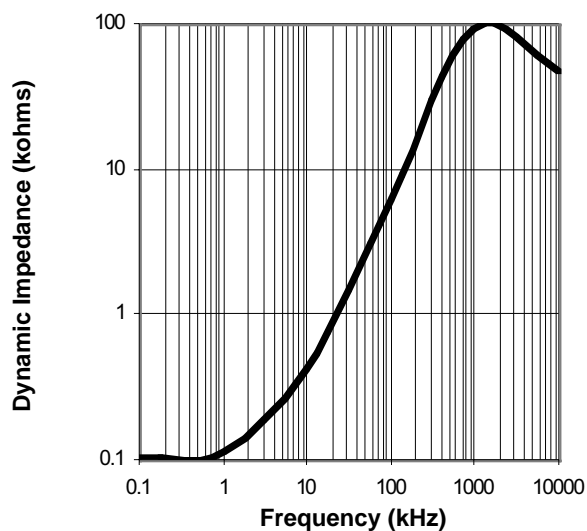
**Delta Reference Voltage Per
Delta Cathode Voltage vs.
Junction Temperature**



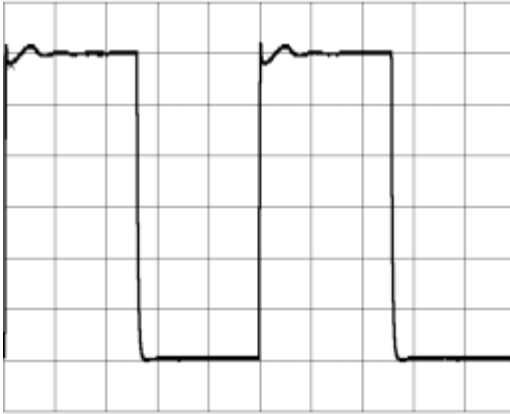
**Open Loop Voltage Gain
vs.
Frequency**



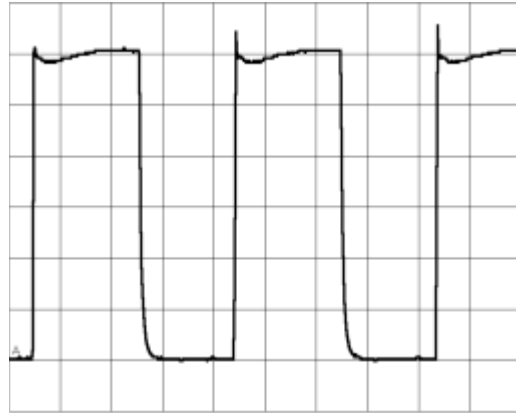
**Dynamic Impedance
vs.
Frequency**



Pulse Response, 100 μ A
(200mV/div, 2 μ s/div)

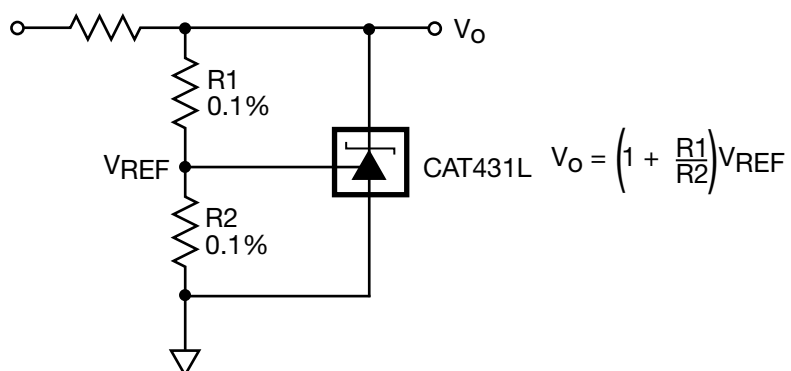


Pulse Response, 1mA
(200mV/div, 2 μ s/div)

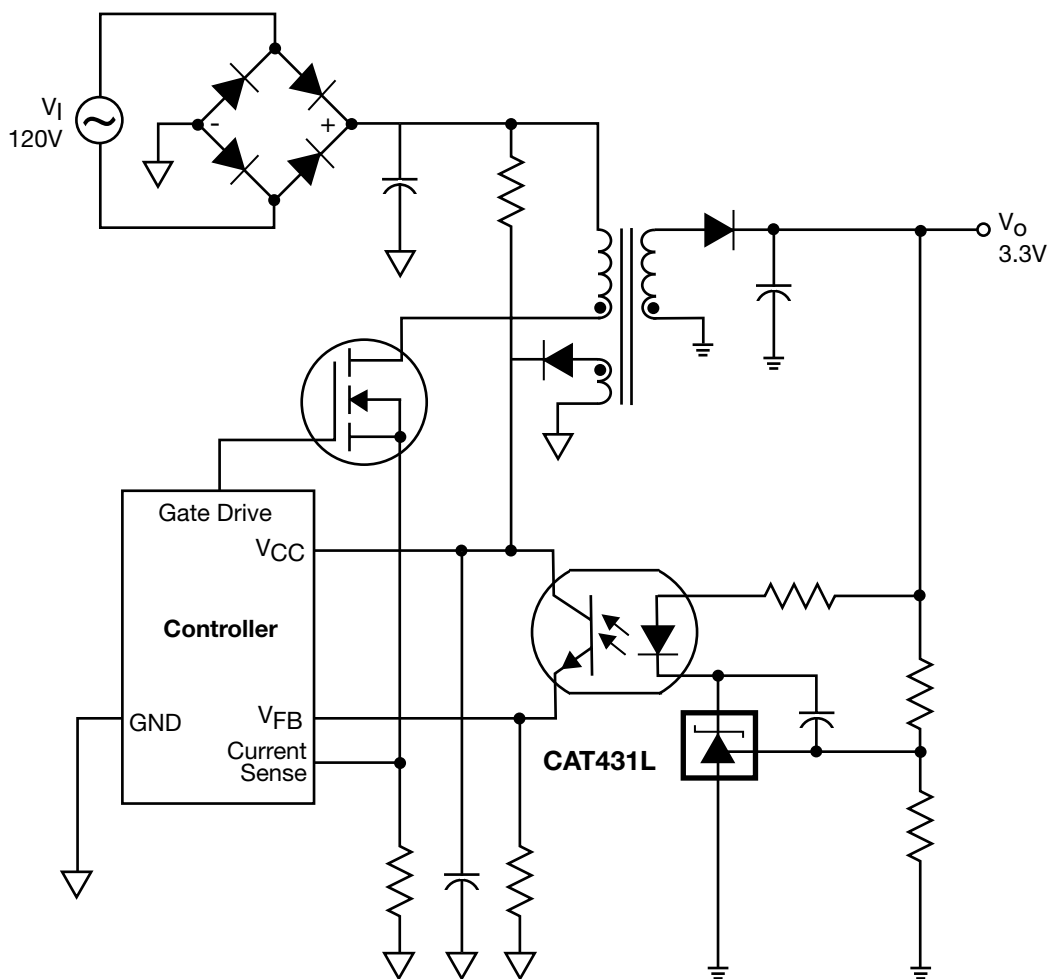


TYPICAL APPLICATIONS

Shunt Voltage Regulator

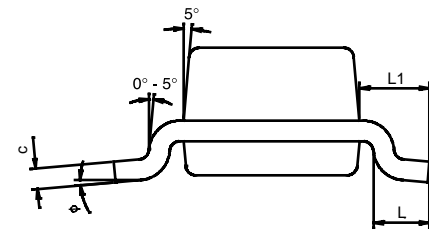
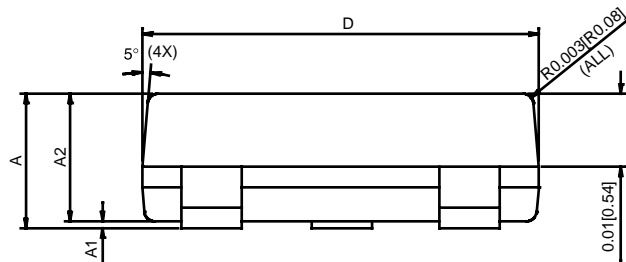
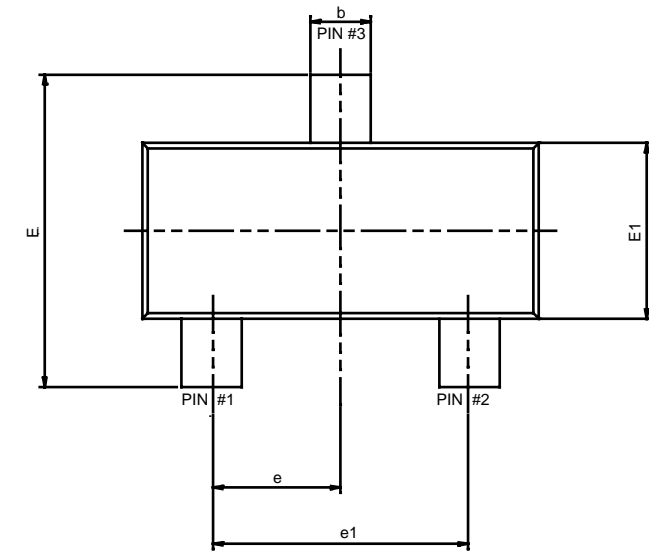


Flyback Converter with Optical Isolation



PACKAGE OUTLINES

3 LEAD SOT-23

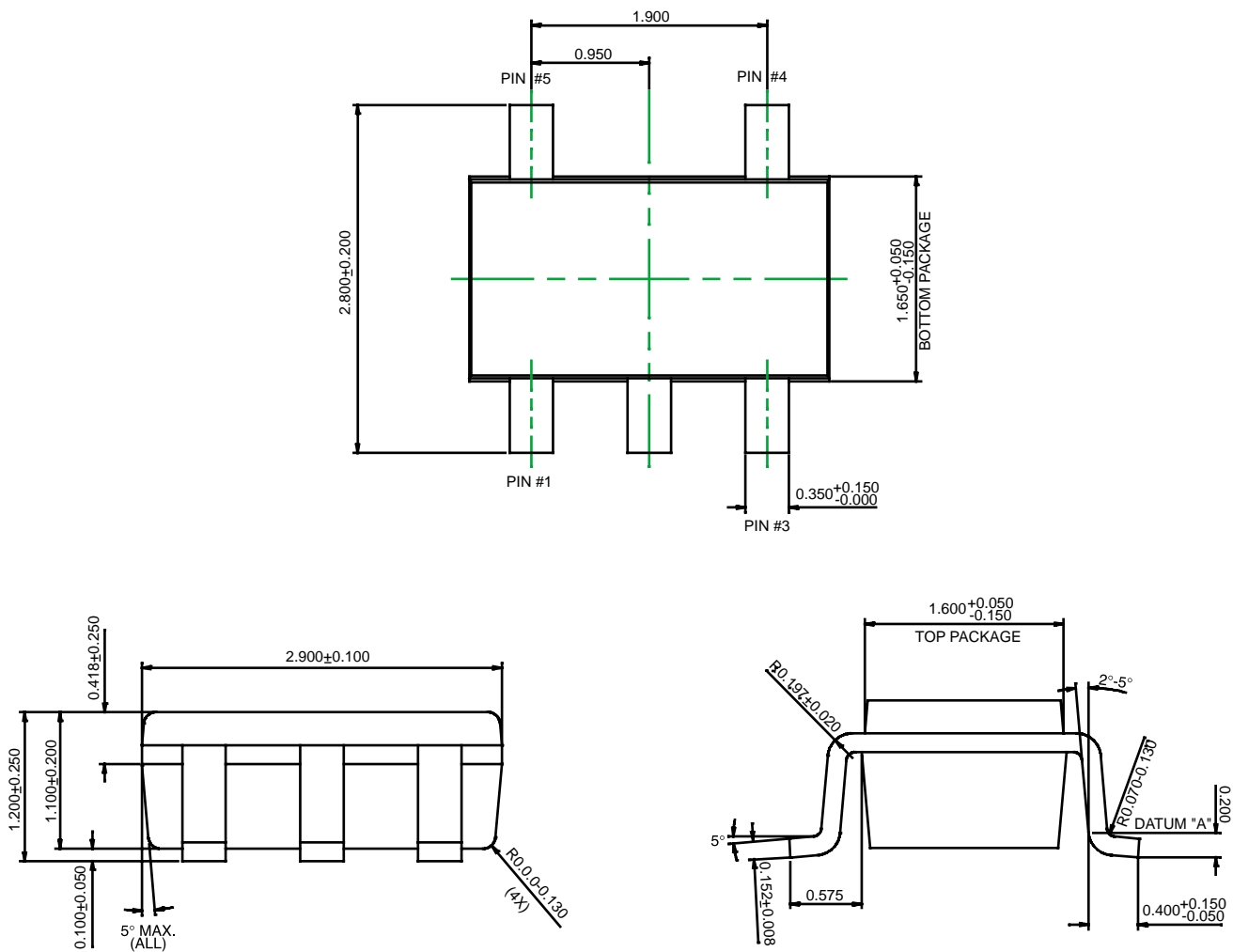


NOTES:

1. ALL DIMENSIONS ARE IN INCHES & IN [] ARE IN MM.
2. PACKAGE OUTLINE DIMENSIONS INCLUSIVE OF METAL BURRS.
3. PACKAGE OUTLINE EXCLUSIVE OF MOLD FLASH. MOLD FLASH SHALL NOT EXCEED 0.076MM. [0.003"].
4. ALL PACKAGE SURFACES TO BE MIRROR FINISH.
5. MOLDING AND FORMING WITH DIE FACING UP.
6. LEADFINISH PLATING: 0.00762MM [0.0003"] - 0.0254MM [0.001"]. PACKAGE OUTLINE EXCLUSIVE OF LEADFINISH PLATING.
7. THIS POD COMPLIES TO JEDEC TO-236AB ISSUE H.

DIM	INCHES		MILLIMETERS	
	MIN.	MAX.	MIN.	MAX.
A	.0350	.0429	0.89	1.09
A1	.0008	.0031	0.02	0.08
A2	.0346	.0394	0.88	1.00
b	.0150	.0197	0.38	0.50
c	.0055	.0063	0.14	0.16
D	.1102	.1197	2.80	3.04
e	.0354	.0394	0.90	1.00
e1	.0709	.0787	1.80	2.00
E	.0827	.0984	2.10	2.50
E1	.0472	.0551	1.20	1.40
L	.0157	.0217	0.40	0.55
L1	.0177	.0236	0.45	0.60
∅	0°	5°	0°	5°

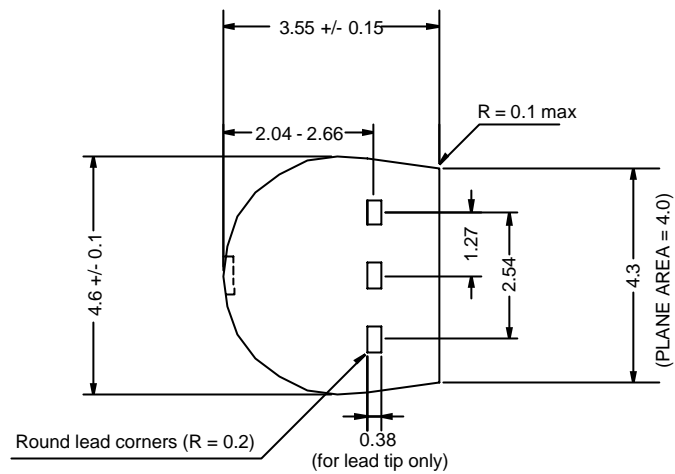
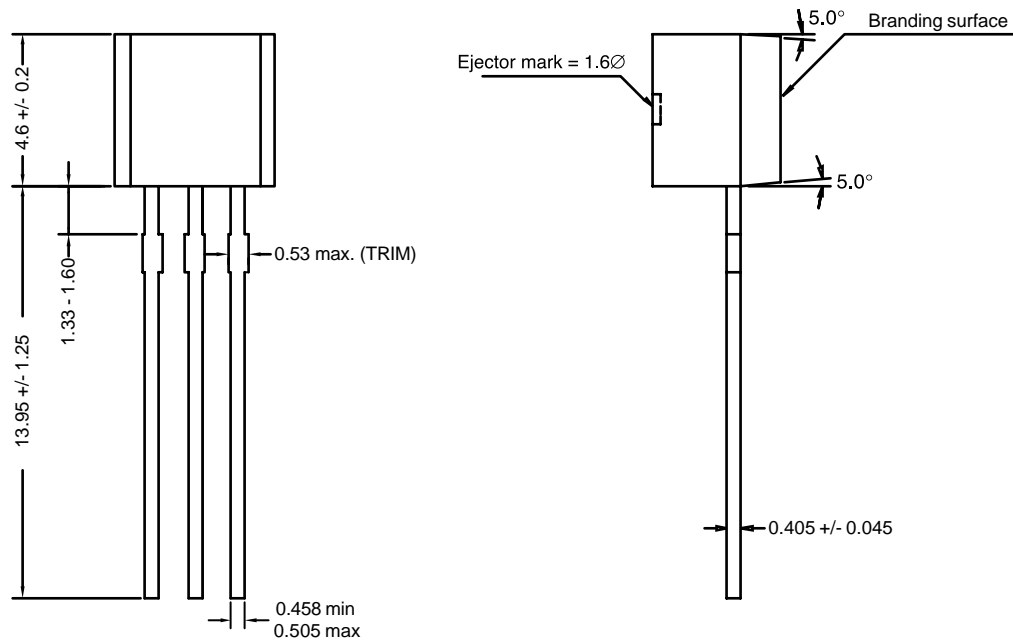
5 LEAD SOT-23



NOTES:

1. ALL DIMENSIONS ARE IN MM.
2. PACKAGE OUTLINE DIMENSIONS INCLUSIVE OF METAL BURR.
3. PACKAGE OUTLINE EXCLUSIVE OF MOLD FLASH. MOLD FLASH SHALL NOT EXCEED 0.076MM.
4. ALL PACKAGE SURFACE TO BE MIRROR FINISH.
5. MOLDING WITH DIE FACING UP, AND FORMING WITH DIE FACING DOWN.
6. FOOT LENGTH TO BE MEASURED AT THE INTERCEPT POINT OF EXTERNAL LEADS AND DATUM "A".
7. LEADFINISH PLATING: 0.00762MM - 0.0254MM. PACKAGE OUTLINE EXCLUSIVE OF LEADFINISH PLATING.

3 LEAD TO92



- NOTE :
- 1.0 All dimensions are in mm.
 - 2.0 Dimension tolerance of 0.05 mm unless otherwise specified.
 - 3.0 Solder dipping finish @ 63/37 Sn/Pb.
 - 4.0 Burrs in trim @ 0.13 mm max.

REVISION HISTORY

Date	Rev.	Reason
12/15/03	J	Updated typical performance characteristics legend for Delta Reference voltage

Copyrights, Trademarks and Patents

Trademarks and registered trademarks of Catalyst Semiconductor include each of the following:

DPP™ AE²™

Catalyst Semiconductor has been issued U.S. and foreign patents and has patent applications pending that protect its products. For a complete list of patents issued to Catalyst Semiconductor contact the Company's corporate office at 408.542.1000.

CATALYST SEMICONDUCTOR MAKES NO WARRANTY, REPRESENTATION OR GUARANTEE, EXPRESS OR IMPLIED, REGARDING THE SUITABILITY OF ITS PRODUCTS FOR ANY PARTICULAR PURPOSE, NOR THAT THE USE OF ITS PRODUCTS WILL NOT INFRINGE ITS INTELLECTUAL PROPERTY RIGHTS OR THE RIGHTS OF THIRD PARTIES WITH RESPECT TO ANY PARTICULAR USE OR APPLICATION AND SPECIFICALLY DISCLAIMS ANY AND ALL LIABILITY ARISING OUT OF ANY SUCH USE OR APPLICATION, INCLUDING BUT NOT LIMITED TO, CONSEQUENTIAL OR INCIDENTAL DAMAGES.

Catalyst Semiconductor products are not designed, intended, or authorized for use as components in systems intended for surgical implant into the body, or other applications intended to support or sustain life, or for any other application in which the failure of the Catalyst Semiconductor product could create a situation where personal injury or death may occur.

Catalyst Semiconductor reserves the right to make changes to or discontinue any product or service described herein without notice. Products with data sheets labeled "Advance Information" or "Preliminary" and other products described herein may not be in production or offered for sale.

Catalyst Semiconductor advises customers to obtain the current version of the relevant product information before placing orders. Circuit diagrams illustrate typical semiconductor applications and may not be complete.



CATALYST

Catalyst Semiconductor, Inc.
Corporate Headquarters
1250 Borregas Avenue
Sunnyvale, CA 94089
Phone: 408.542.1000
Fax: 408.542.1200
www.catalyst-semiconductor.com

Publication #: 4006
Revision: J
Issue date: 12/15/03
Type: Final