

CCM05 CF

(CompactFlash® Header)

The CompactFlash headers are designed for your board applications using either Type I or Type II cards.

Features

- 50 contacts with pre-mating pins
- Surface mount single row solder tails configuration
- Card keying: standard or Reverse
- Low profile version of 4.00 mm
- Metal tabs for additional PCB retention

Physical Data

Contacts	Copper alloy
Contact finish (towards the card)	Gold over nickel
Contact finish (towards the PCB)	Tin / lead over nickel
Molding	High temp. Thermoplastic, UL 94V-0

Mechanical Data

Number of contacts	50
Operating life standard	≥ 10,000 cycles
Card insertion force	30 N max.
Card withdrawal force	10 N min.
Vibration	According to MIL-STD-202F, Method 204D 10 to 2000 Hz / acceleration peak is 15G.
Mechanical shock	According to MIL-STD-202F, method 213B Acceleration is 50G.

Contact Electrical Data

Operating voltage	100 VAC
Current / ct	≤ 500 mA
Contact resistance	≤ 40 mΩ
Voltage proof	≥ 500 Vrms
Insulation resistance	1000 MΩ min.

Environmental Data

Operating temperature	-20°C / +60°C
Storage temperature	-40°C / +85°C
Soldering temperature	230°C / 5 sec heat peak 235°C max.
Moisture resistance	40°C / 93% HR / 96 hours. According to MIL-STD-202F, method 103B, test condition B
Corrosion	48 hours according to IEC 512 test 11f

Ordering Code

CCM05-5791 T30	Type I normal key stand off, 1,65 mm
CCM05-5792 T30	Type I normal key
CCM05-5793 T25	Type II normal key
CCM05-5794 T30	Type I reverse key stand off, 1,65 mm
CCM05-5795 T25	Type II reverse key
CCM05-5798 T30	Type I low profile

Packaging

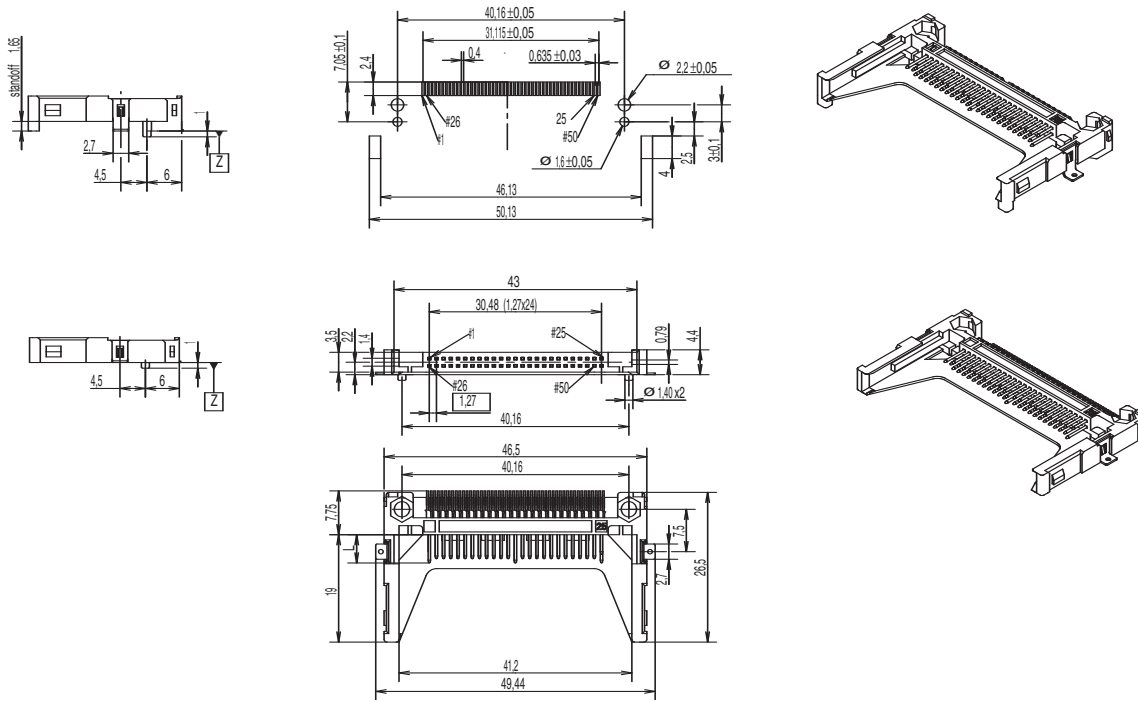
Tray packaging.

CompactFlash is a registered trademark of SanDisk Corporation and CompactFlash Association

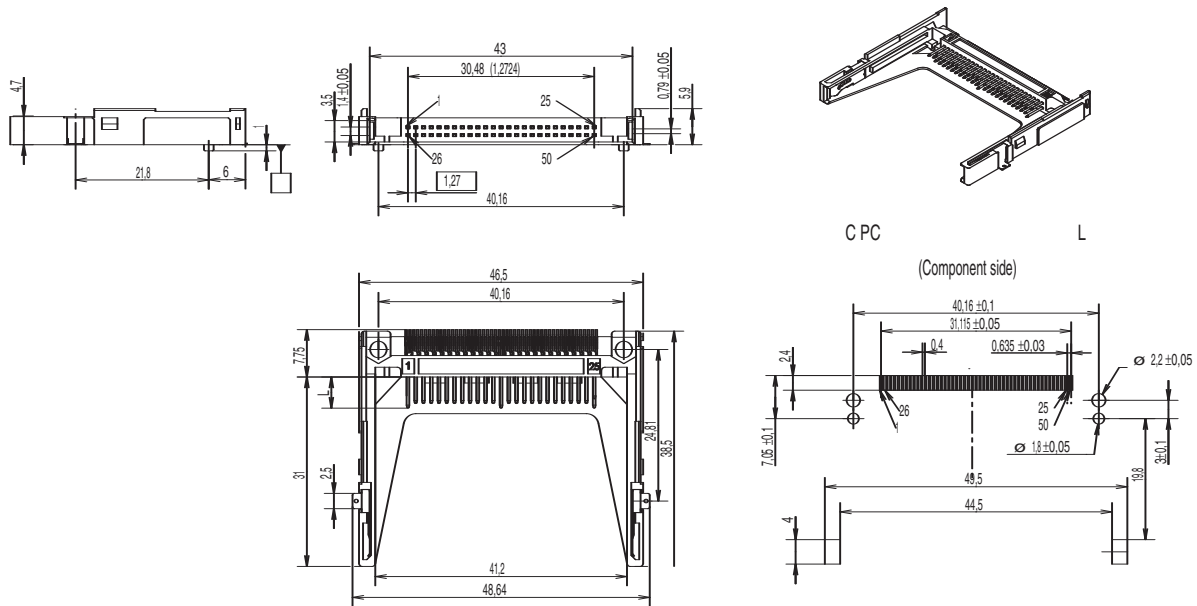
CCM05 CF (CompactFlash® Header)

CCM05-5791 / CCM05-5792

RECOMMENDED PC BOARD LAYOUT
(Component side)



CCM05-5793



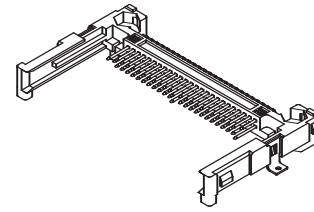
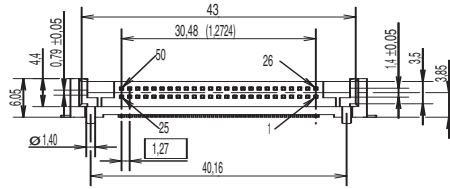
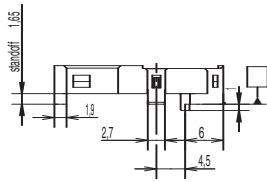
Cannon

ITT Industries
Engineered for life

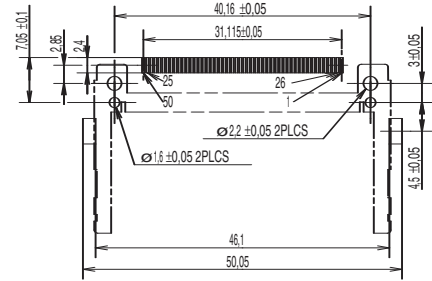
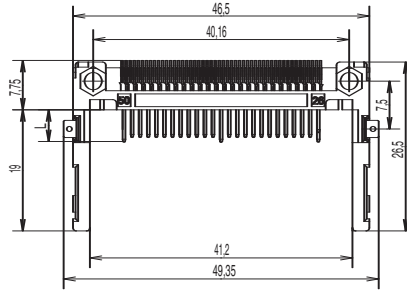
Dimensions are shown in mm
Dimensions subject to change

www.ittcannon.com

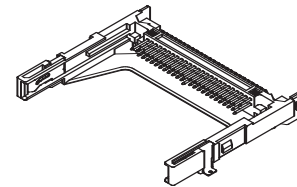
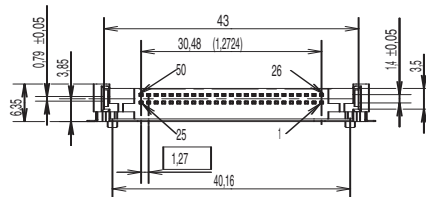
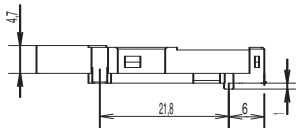
CCM05-5794



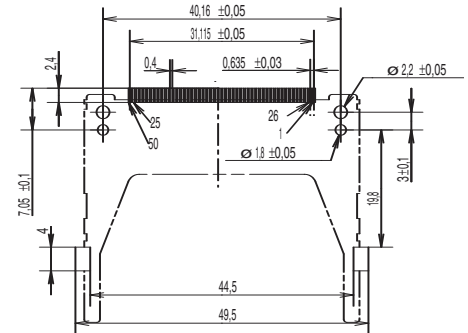
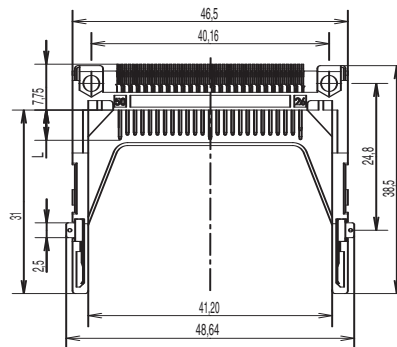
C PC L
(Component side)



CCM05-5795

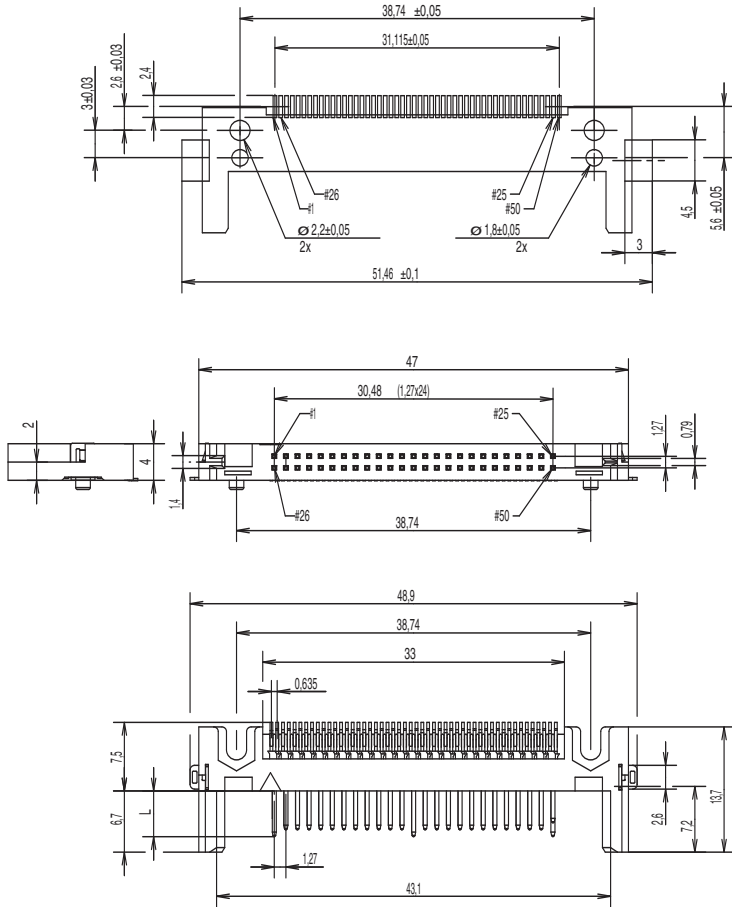


C PC L
(Component side)



CCM05 CF (CompactFlash® Header)

CCM05-5798



To learn more about our CCM05 CompactFlash product line, please visit www.ittcannon.com

Customer Support Locations

France: +33.(0) 1.60.24.51.51
Hong Kong: +852.2732.2720
USA: 800.635.5936

Germany: +49 (30) 43.9990
UK: +44.1256.311850