

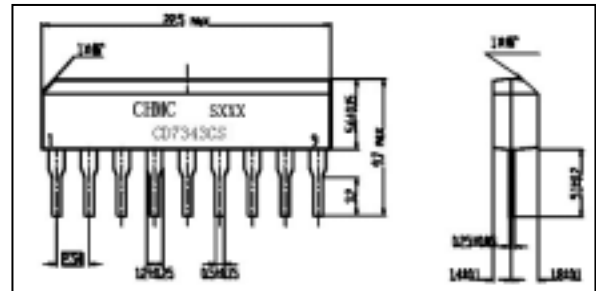


## FM STEREO MULTIPLEX DECODER CD7343CS

### ● GENERAL DESCRIPTION

The CD7343CS is a monolithic integrated circuit consisting of a phase locked loop FM stereo demodulator. It is designed for car stereo, cassette recorder and other equipment.

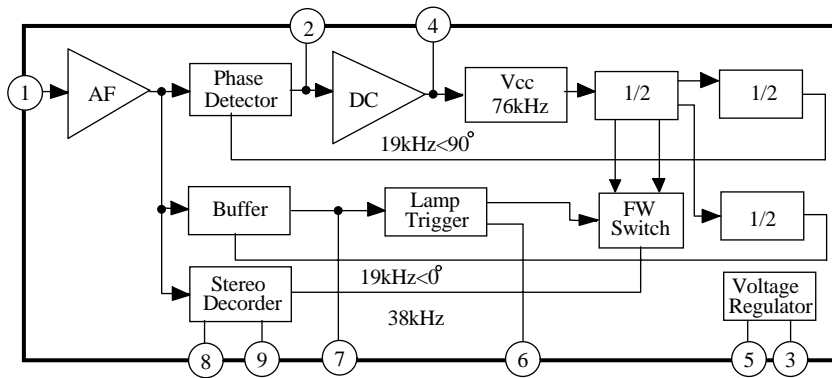
Outline Drawing



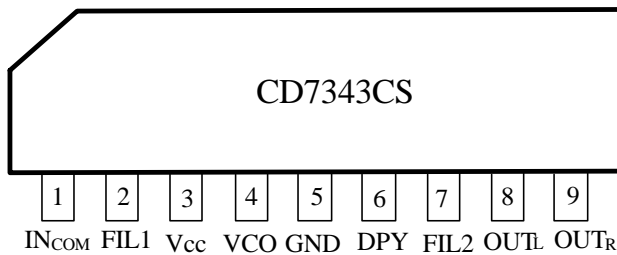
### FEATURES

- Wide operating supply voltage:  $V_{cc}=3.5V\sim 12V$
- High pilot lamp ON sensitivity ( $V_{L(ON)}=9mV$ )
- Built-in indicator lamp drive circuit
- Low distortion THD=0.08% at  $V_i=200mV$

### BLOCK DIAGRAM



### PIN CONNECTION



## MAXIMUM RATINGS

Characteristics	Symbol	Value	Unit
Supply Voltage	V <sub>CC</sub>	12	V
Lamp Voltage	V <sub>LAMP</sub>	16	V
Lamp Current (Continuous)	I <sub>LAMP</sub>	20	mA
Power Dissipation	P <sub>D</sub>	500	mW
Operating Ambient Temperature Range	T <sub>opr</sub>	-25~75	°C
Storage Temperature Range	T <sub>stg</sub>	-55~150	°C

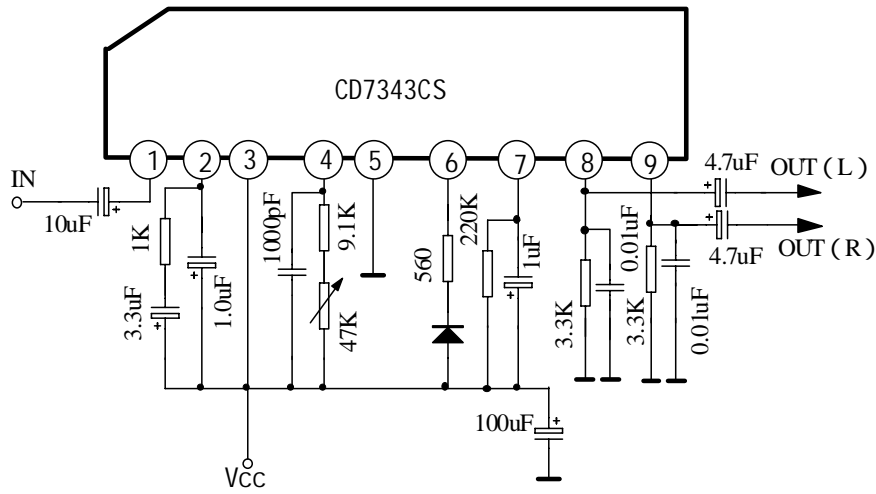
## ELECTRICAL CHARACTERISTICS

(Unless otherwise specified V<sub>CC</sub>=8V, T<sub>amb</sub>=25°C, f=1kHz)

Characteristic	Symbol	Test Condition	Min.	Typ.	Max.	Unit
Quiescent Circuit Current	ICCQ	V <sub>i</sub> =0		11	18	mA
Maximum Input Voltage	V <sub>i(max)</sub>	L+R=90%, P=10%, THD=1%		900		mV
Channel Separation	Sep	L+R=180mV, V <sub>p</sub> =20mV	36	45		dB
Total Harmonic Distortion (mono)	THD1	V <sub>i</sub> =200mV		0.08	0.3	%
Total Harmonic Distortion (stereo)	THD2	L+R=180mV, V <sub>p</sub> =20mV		0.08		%
Voltage Gain	A <sub>v</sub>	V <sub>i</sub> =200mV	-2.0	0	2.0	dB
Channel Balance	CB	V <sub>i</sub> =200mV		0	1.5	dB
Lamp ON level	V <sub>L(ON)</sub>	Pilot only		9	15	mV
Lamp OFF level	V <sub>L(OFF)</sub>	Pilot only	2	6		mV
Lamp Hysteresis	V <sub>HY</sub>			3		mV
Carrier Leakage	CL	L+R=180mV V <sub>p</sub> =20mV	19kHz	34		dB
			38kHz	42		dB



APPLICATION CIRCUIT



CHARACTERISTICS CURVES

