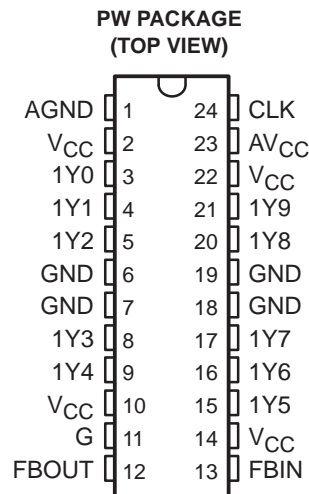


- **Designed to Meet and Exceed PC133 SDRAM Registered DIMM Specification Rev. 1.1**
- **Spread Spectrum Clock Compatible**
- **Operating Frequency 50 MHz to 175 MHz**
- **Static Phase Error Distribution at 66MHz to 166 MHz is ± 125 ps**
- **Jitter (cyc – cyc) at 66 MHz to 166 MHz Is $|70|$ ps**
- **Advanced Deep Sub-Micron Process Results in More Than 40% Lower Power Consumption Versus Current Generation PC133 Devices**
- **Available in Plastic 24-Pin TSSOP**
- **Phase-Lock Loop Clock Distribution for Synchronous DRAM Applications**
- **Distributes One Clock Input to One Bank of Ten Outputs**
- **External Feedback (FBIN) Terminal Is Used to Synchronize the Outputs to the Clock Input**
- **25- Ω On-Chip Series Damping Resistors**
- **No External RC Network Required**
- **Operates at 3.3 V**



description

The CDCVF2510 is a high-performance, low-skew, low-jitter, phase-lock loop (PLL) clock driver. It uses a PLL to precisely align, in both frequency and phase, the feedback (FBOUT) output to the clock (CLK) input signal. It is specifically designed for use with synchronous DRAMs. The CDCVF2510 operates at 3.3 V V_{CC}. It also provides integrated series-damping resistors that make it ideal for driving point-to-point loads.

One bank of ten outputs provides ten low-skew, low-jitter copies of CLK. Output signal duty cycles are adjusted to 50%, independent of the duty cycle at CLK. Outputs are enabled or disabled via the control (G) input. When the G input is high, the outputs switch in phase and frequency with CLK; when the G input is low, the outputs are disabled to the logic-low state.

Unlike many products containing PLLs, the CDCVF2510 does not require external RC networks. The loop filter for the PLL is included on-chip, minimizing component count, board space, and cost.

Because it is based on PLL circuitry, the CDCVF2510 requires a stabilization time to achieve phase lock of the feedback signal to the reference signal. This stabilization time is required, following power up and application of a fixed-frequency, fixed-phase signal at CLK, and following any changes to the PLL reference or feedback signals. The PLL can be bypassed for test purposes by strapping AV_{CC} to ground.

The CDCVF2510 is characterized for operation from 0°C to 85°C.

For application information refer to application reports *High Speed Distribution Design Techniques for CDC509/516/2509/2510/2516* (literature number SLMA003) and *Using CDC2509A/2510A PLL with Spread Spectrum Clocking (SSC)* (literature number SCAA039).



Please be aware that an important notice concerning availability, standard warranty, and use in critical applications of Texas Instruments semiconductor products and disclaimers thereto appears at the end of this data sheet.

CDCVF2510

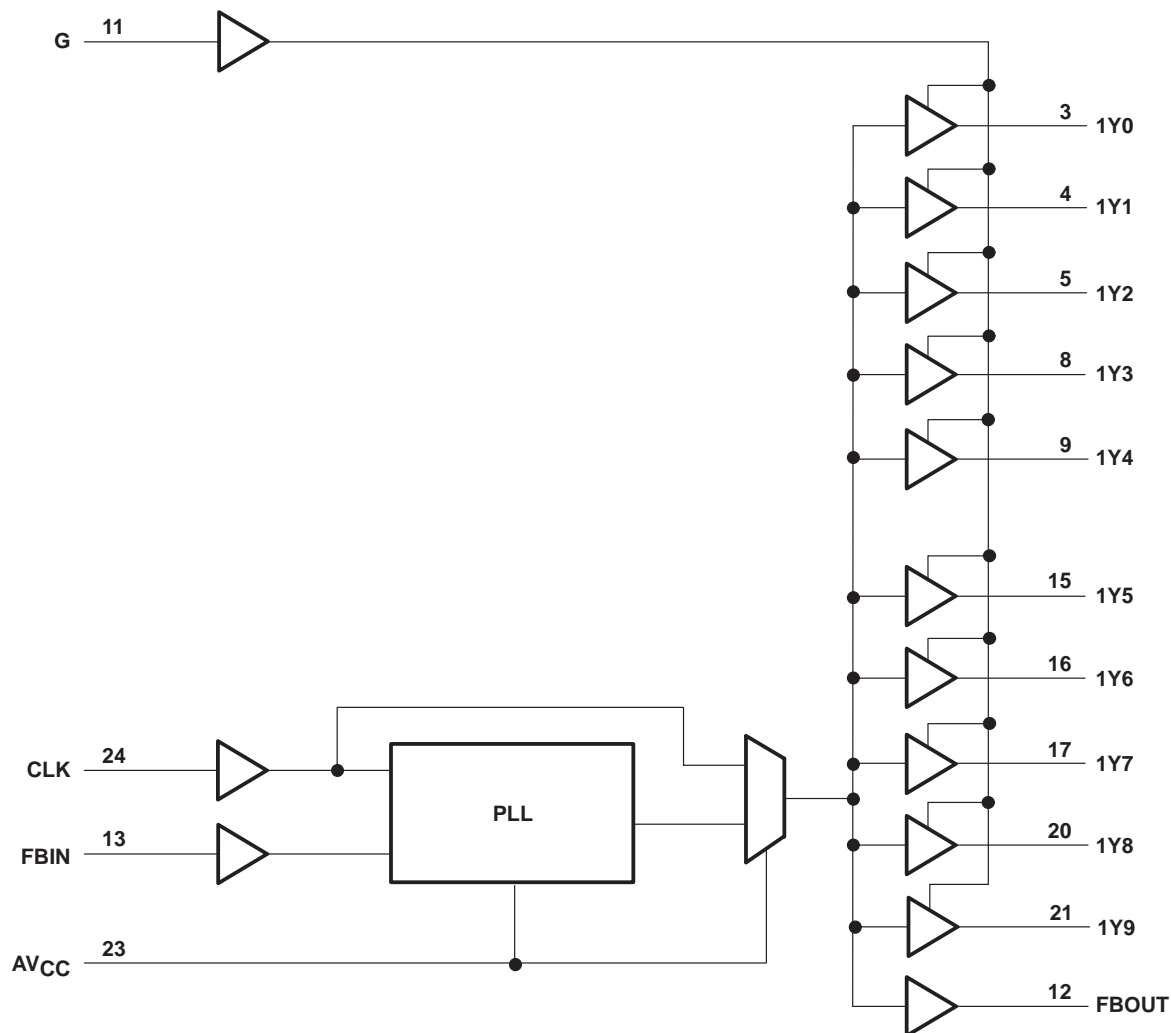
3.3-V PHASE-LOCK LOOP CLOCK DRIVER

SCAS638 – DECEMBER 1999

FUNCTION TABLE

INPUTS		OUTPUTS	
G	CLK	1Y (0:9)	FBOUT
X	L	L	L
L	H	L	H
H	H	H	H

functional block diagram



AVAILABLE OPTIONS

T _A	PACKAGE
	SMALL OUTLINE (PW)
0°C to 85°C	CDCVF2510PWR

Terminal Functions

TERMINAL		TYPE	DESCRIPTION
NAME	NO.		
CLK	24	I	Clock input. CLK provides the clock signal to be distributed by the CDCVF2510 clock driver. CLK is used to provide the reference signal to the integrated PLL that generates the clock output signals. CLK must have a fixed frequency and fixed phase for the PLL to obtain phase lock. Once the circuit is powered up and a valid CLK signal is applied, a stabilization time is required for the PLL to phase lock the feedback signal to its reference signal.
FBIN	13	I	Feedback input. FBIN provides the feedback signal to the internal PLL. FBIN must be hard-wired to FBOUT to complete the PLL. The integrated PLL synchronizes CLK and FBIN so that there is nominally zero phase error between CLK and FBIN.
G	11	I	Output bank enable. G is the output enable for outputs 1Y(0:9). When G is low, outputs 1Y(0:9) are disabled to a logic-low state. When G is high, all outputs 1Y(0:9) are enabled and switch at the same frequency as CLK.
FBOUT	12	O	Feedback output. FBOUT is dedicated for external feedback. It switches at the same frequency as CLK. When externally wired to FBIN, FBOUT completes the feedback loop of the PLL. FBOUT has an integrated 25-Ω series-damping resistor.
1Y (0:9)	3, 4, 5, 8, 9, 15, 16, 17, 20, 21	O	Clock outputs. These outputs provide low-skew copies of CLK. Output bank 1Y(0:9) is enabled via the G input. These outputs can be disabled to a logic-low state by deasserting the G control input. Each output has an integrated 25-Ω series-damping resistor.
AV _{CC}	23	Power	Analog power supply. AV _{CC} provides the power reference for the analog circuitry. In addition, AV _{CC} can be used to bypass the PLL for test purposes. When AV _{CC} is strapped to ground, PLL is bypassed and CLK is buffered directly to the device outputs.
AGND	1	Ground	Analog ground. AGND provides the ground reference for the analog circuitry.
V _{CC}	2, 10, 14, 22	Power	Power supply
GND	6, 7, 18, 19	Ground	Ground

CDCVF2510

3.3-V PHASE-LOCK LOOP CLOCK DRIVER

SCAS638 – DECEMBER 1999

absolute maximum ratings over operating free-air temperature range (unless otherwise noted)†

Supply voltage range, AV_{CC} (see Note 1)	$AV_{CC} < V_{CC} + 0.7$ V
Supply voltage range, V_{CC}	-0.5 V to 4.3 V
Input voltage range, V_I (see Note 2)	-0.5 V to 4.6 V
Voltage range applied to any output in the high or low state, V_O (see Notes 2 and 3)	-0.5 V to $V_{CC} + 0.5$ V
Input clamp current, I_{IK} ($V_I < 0$)	-50 mA
Output clamp current, I_{OK} ($V_O < 0$ or $V_O > V_{CC}$)	± 50 mA
Continuous output current, I_O ($V_O = 0$ to V_{CC})	± 50 mA
Continuous current through each V_{CC} or GND	± 100 mA
Maximum power dissipation at $T_A = 55^\circ\text{C}$ (in still air) (see Note 4)	0.7 W
Storage temperature range, T_{stg}	-65°C to 150°C

† Stresses beyond those listed under “absolute maximum ratings” may cause permanent damage to the device. These are stress ratings only, and functional operation of the device at these or any other conditions beyond those indicated under “recommended operating conditions” is not implied. Exposure to absolute-maximum-rated conditions for extended periods may affect device reliability.

- NOTES:
- AV_{CC} **must not** exceed $V_{CC} + 0.7$ V.
 - The input and output negative-voltage ratings may be exceeded if the input and output clamp-current ratings are observed.
 - This value is limited to 4.6 V maximum.
 - The maximum package power dissipation is calculated using a junction temperature of 150°C and a board trace length of 750 mils. For more information, refer to the *Package Thermal Considerations* application note in the *ABT Advanced BiCMOS Technology Data Book*, literature number SCBD002.

DISSIPATION RATING TABLE

PACKAGE	BOARD TYPE†	$R_{\theta JA}$	$T_A \leq 25^\circ\text{C}$ POWER RATING	DERATING FACTOR‡ ABOVE $T_A = 25^\circ\text{C}$	$T_A = 70^\circ\text{C}$ POWER RATING	$T_A = 85^\circ\text{C}$ POWER RATING
PW	JEDEC low-K	114.5°C/W	920 mW	8.7 mW/°C	520 mW	390 mW
	JEDEC high-K	62.1°C/W	1690 mW	16.1 mW/°C	960 mW	720 mW

† JEDEC high-K board has better thermal performance due to multiple internal copper planes.

‡ This is the inverse of the traditional junction-to-ambient thermal resistance ($R_{\theta JA}$).

recommended operating conditions (see Note 5)

	MIN	MAX	UNIT
V_{CC}, AV_{CC} Supply voltage	3	3.6	V
V_{IH} High-level input voltage	2		V
V_{IL} Low-level input voltage		0.8	V
V_I Input voltage	0	V_{CC}	V
I_{OH} High-level output current		-12	mA
I_{OL} Low-level output current		12	mA
T_A Operating free-air temperature	0	85	°C

NOTE 5: Unused inputs must be held high or low to prevent them from floating.

timing requirements over recommended ranges of supply voltage and operating free-air temperature

	MIN	MAX	UNIT
f_{clk} Clock frequency	50	175	MHz
Input clock duty cycle	40%	60%	
Stabilization time†		1	ms

† Time required for the integrated PLL circuit to obtain phase lock of its feedback signal to its reference signal. For phase lock to be obtained, a fixed-frequency, fixed-phase reference signal must be present at CLK. Until phase lock is obtained, the specifications for propagation delay, skew, and jitter parameters given in the switching characteristics table are not applicable. This parameter does not apply for input modulation under SSC application.



CDCVF2510

3.3-V PHASE-LOCK LOOP CLOCK DRIVER

SCAS638 – DECEMBER 1999

electrical characteristics over recommended operating free-air temperature range (unless otherwise noted)

PARAMETER		TEST CONDITIONS	V _{CC} , AV _{CC}	MIN	TYP [‡]	MAX	UNIT
V _{IK}	Input clamp voltage	I _I = -18 mA	3 V			-1.2	V
V _{OH}	High-level output voltage	I _{OH} = -100 μA	MIN to MAX	V _{CC} -0.2			V
		I _{OH} = -12 mA	3 V		2.1		
		I _{OH} = -6 mA	3 V		2.4		
V _{OL}	Low-level output voltage	I _{OL} = 100 μA	MIN to MAX			0.2	V
		I _{OL} = 12 mA	3 V			0.8	
		I _{OL} = 6 mA	3 V			0.55	
I _{OH}	High-level output current	V _O = 1 V	3 V	-28			mA
		V _O = 1.65 V	3.3 V		-36		
		V _O = 3.135 V	3.6 V			-8	
I _{OL}	Low-level output current	V _O = 1.95 V	3 V	30			mA
		V _O = 1.65 V	3.3 V		40		
		V _O = 0.4 V	3.6 V			10	
I _I	Input current	V _I = V _{CC} or GND	3.6 V			±5	μA
I _{CC} [§]	Supply current (static, output not switching)	V _I = V _{CC} or GND, I _O = 0, Outputs: low or high	0 V, 3.6 V			40	μA
ΔI _{CC}	Change in supply current	One input at V _{CC} - 0.6 V, Other inputs at V _{CC} or GND	3.3 V to 3.6 V			500	μA
C _i	Input capacitance	V _I = V _{CC} or GND	3.3 V			2.5	pF
C _O	Output capacitance	V _O = V _{CC} or GND	3.3 V			2.8	pF

[‡] For conditions shown as MIN or MAX, use the appropriate value specified under recommended operating conditions.

[§] For dynamic I_{CC} vs Frequency, refer to Figures 8 and 9.

CDCVF2510

3.3-V PHASE-LOCK LOOP CLOCK DRIVER

SCAS638 – DECEMBER 1999

switching characteristics over recommended ranges of supply voltage and operating free-air temperature, $C_L = 25$ pF (see Note 6 and Figures 1 and 2)‡

PARAMETER	FROM (INPUT)/CONDITION	TO (OUTPUT)	$V_{CC}, AV_{CC} = 3.3$ V ± 0.3 V			UNIT
			MIN	TYP	MAX	
Phase error time – static (normalized) (see Figures 3 – 6)	CLK↑ = 66 MHz to 166 MHz	FBIN↑	-125		125	ps
$t_{sk(o)}$ Output skew time§	Any Y	Any Y			100	ps
Phase error time – jitter (see Note 7)	CLK = 66 MHz to 166 MHz	Any Y or FBOUT	-50		50	ps
Jitter _(cycle-cycle) (see Figure 7)		Any Y or FBOUT		70		
	CLK = 100 MHz to 166 MHz	Any Y or FBOUT			65	ps
Duty cycle	$f_{(CLK)} > 60$ MHz	Any Y or FBOUT	45%		55%	
t_r Rise time	$V_O = 0.4$ V to 2 V	Any Y or FBOUT	0.5		2.5	ns/V
t_f Fall time	$V_O = 0.4$ V to 2 V	Any Y or FBOUT	0.5		2.5	ns/V
$t_{PLH}(\text{bypass mode})$ Low-to-high propagation delay time, bypass mode	CLK	Any Y or FBOUT	0.4		2.3	ns
$t_{PHL}(\text{bypass mode})$ High-to-low propagation delay time, bypass mode	CLK	Any Y or FBOUT	0.4		2.3	ns

‡ These parameters are not production tested.

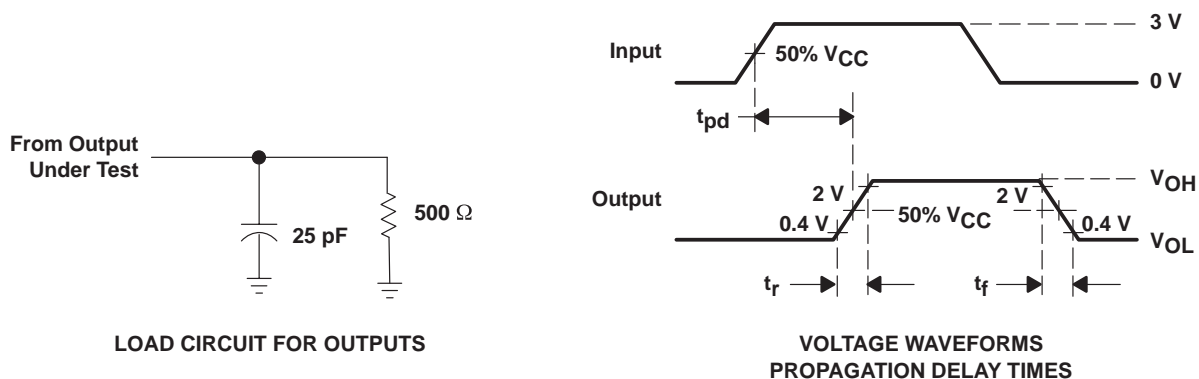
§ The $t_{sk(o)}$ specification is only valid for equal loading of all outputs.

NOTES: 6. The specifications for parameters in this table are applicable only after any appropriate stabilization time has elapsed.

7. Calculated per PC DRAM SPEC ($t_{\text{phase error, static}} - \text{jitter}_{(\text{cycle-to-cycle})}$).



PARAMETER MEASUREMENT INFORMATION



- NOTES: A. C_L includes probe and jig capacitance.
 B. All input pulses are supplied by generators having the following characteristics: $PRR \leq 133$ MHz, $Z_O = 50 \Omega$, $t_r \leq 1.2$ ns, $t_f \leq 1.2$ ns.
 C. The outputs are measured one at a time with one transition per measurement.

Figure 1. Load Circuit and Voltage Waveforms

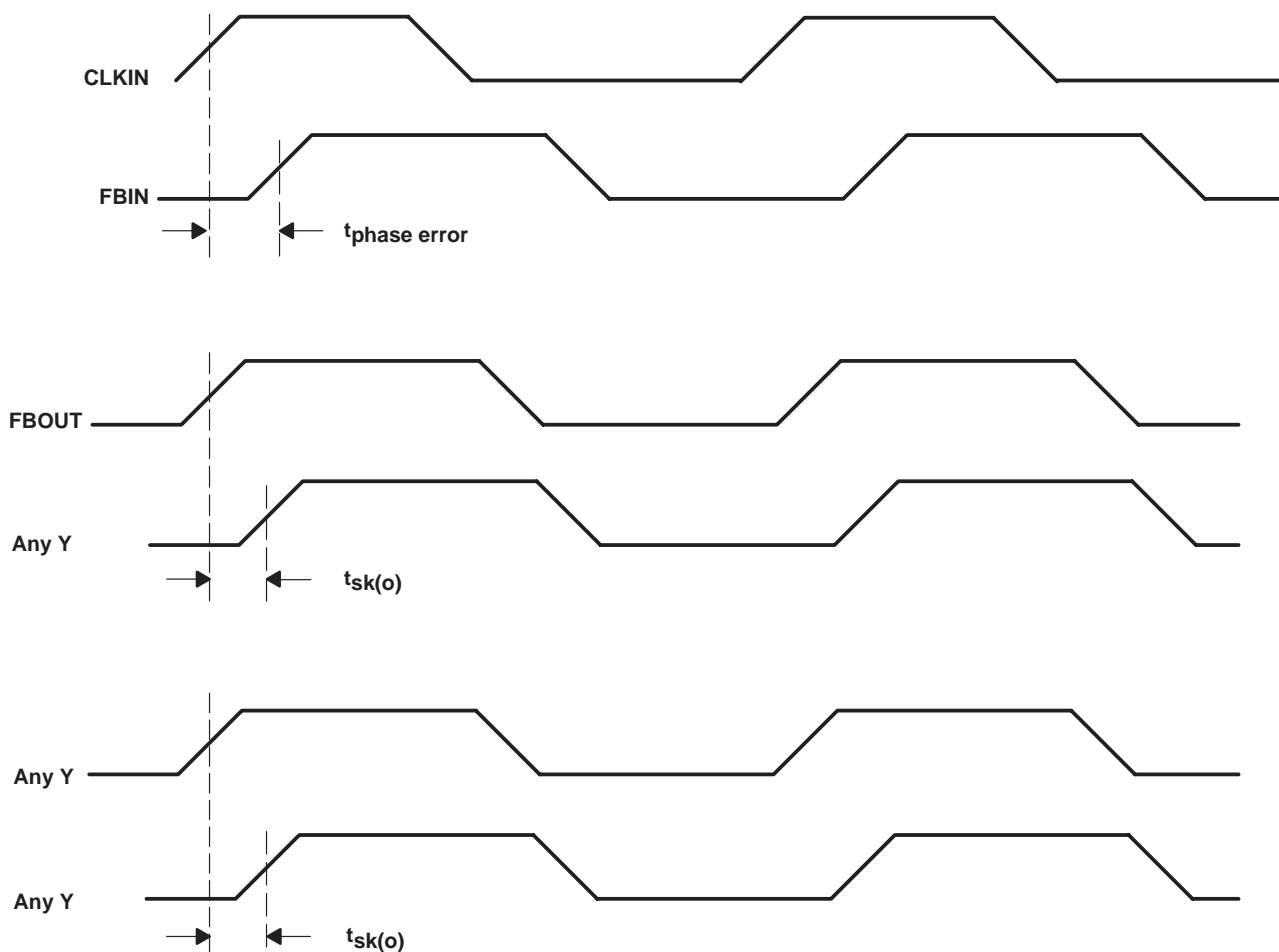


Figure 2. Phase Error and Skew Calculations

TYPICAL CHARACTERISTICS

STATIC PHASE ERROR
vs
LOAD CAPACITANCE

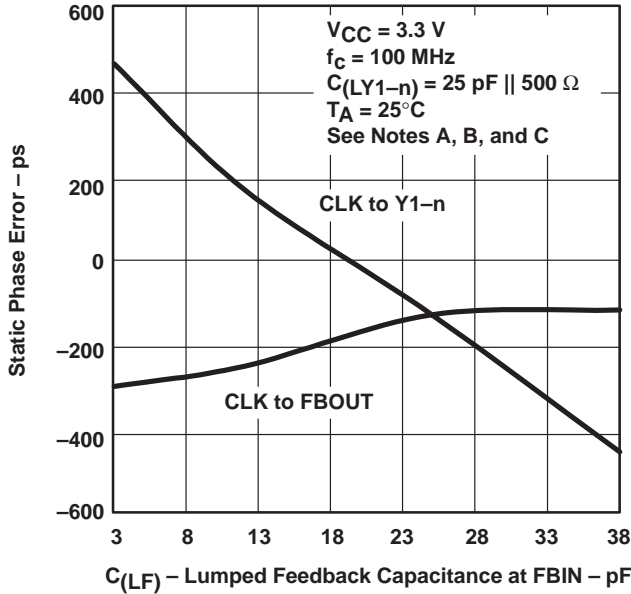


Figure 3

STATIC PHASE ERROR
vs
LOAD CAPACITANCE

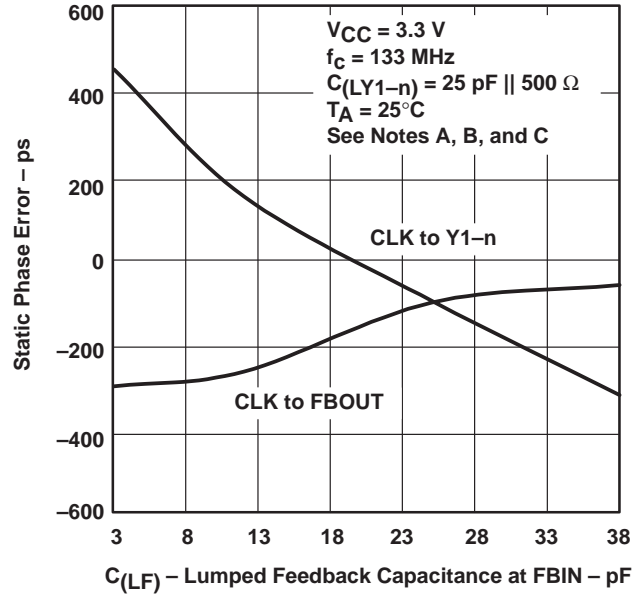


Figure 4

STATIC PHASE ERROR
vs
SUPPLY VOLTAGE AT FBOUT

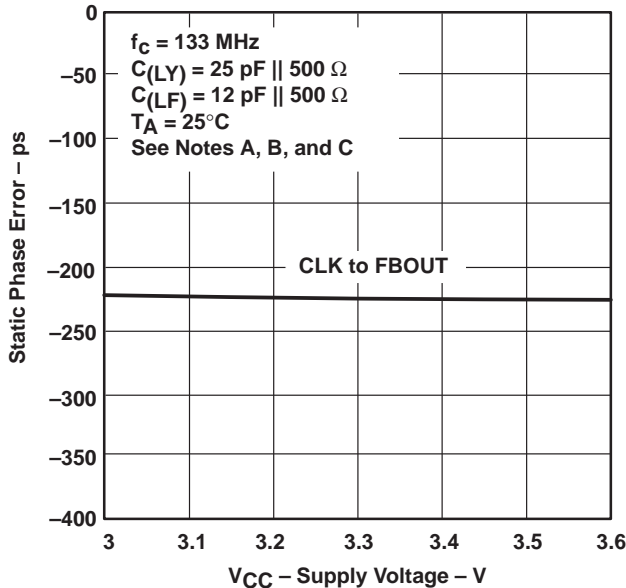


Figure 5

STATIC PHASE ERROR
vs
CLOCK FREQUENCY

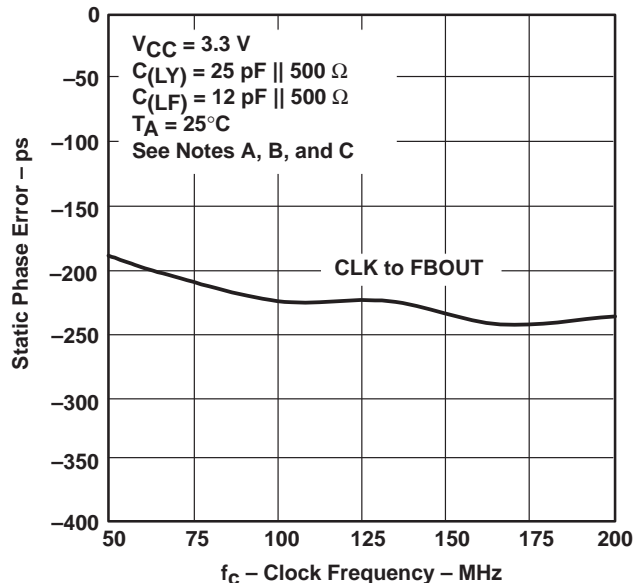
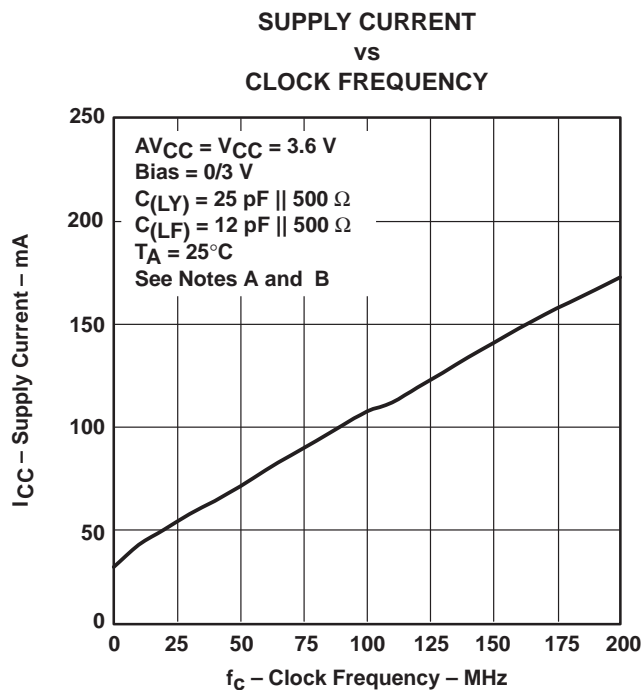
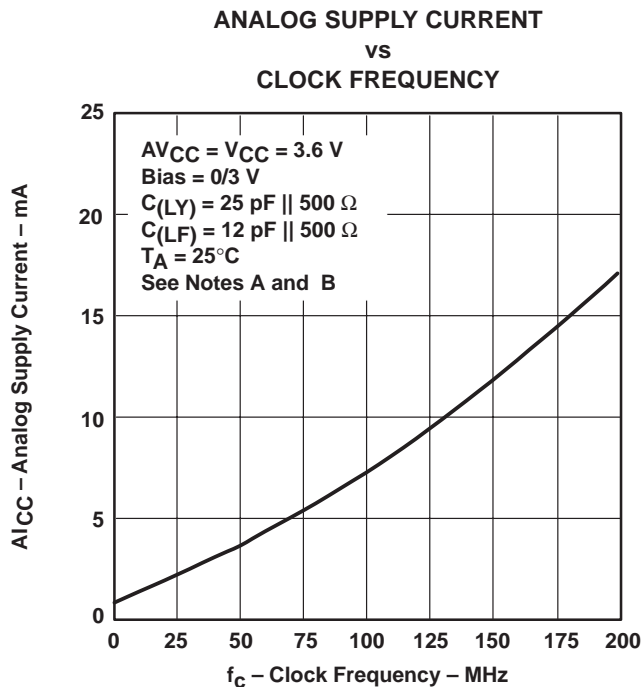
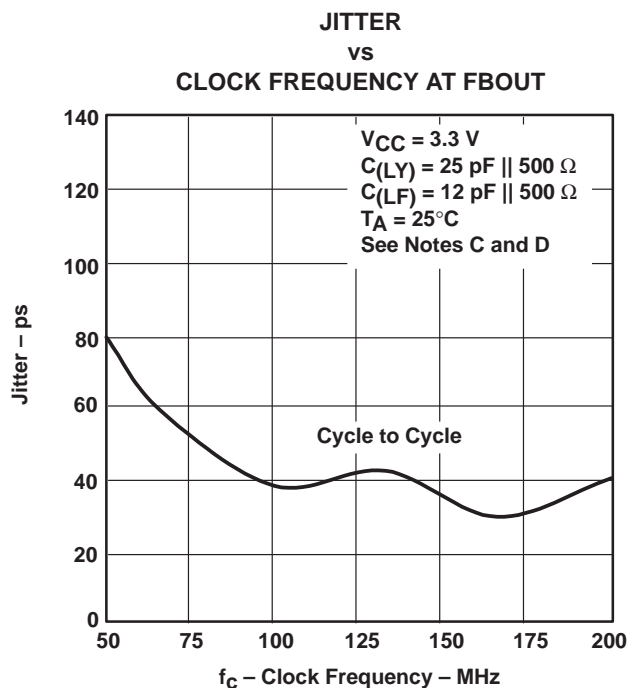


Figure 6

- NOTES: A. Trace length FBOUT to FBIN = 5 mm, $Z_0 = 50\ \Omega$
 B. $C_{(LY)}$ = Lumped capacitive load Y_{1-n}
 C. $C_{(LFx)}$ = Lumped feedback capacitance at FBOUT = FBIN

TYPICAL CHARACTERISTICS



- NOTES: A. Trace length FBOUT to FBIN = 5 mm, $Z_0 = 50 \Omega$
 B. Total current = $I_{CC} + A_{I_{CC}}$
 C. $C(LY)$ = Lumped capacitive load Y_{1-n}
 D. $C(LF_x)$ = Lumped feedback capacitance at FBOUT = FBIN

CDCVF2510 3.3-V PHASE-LOCK LOOP CLOCK DRIVER

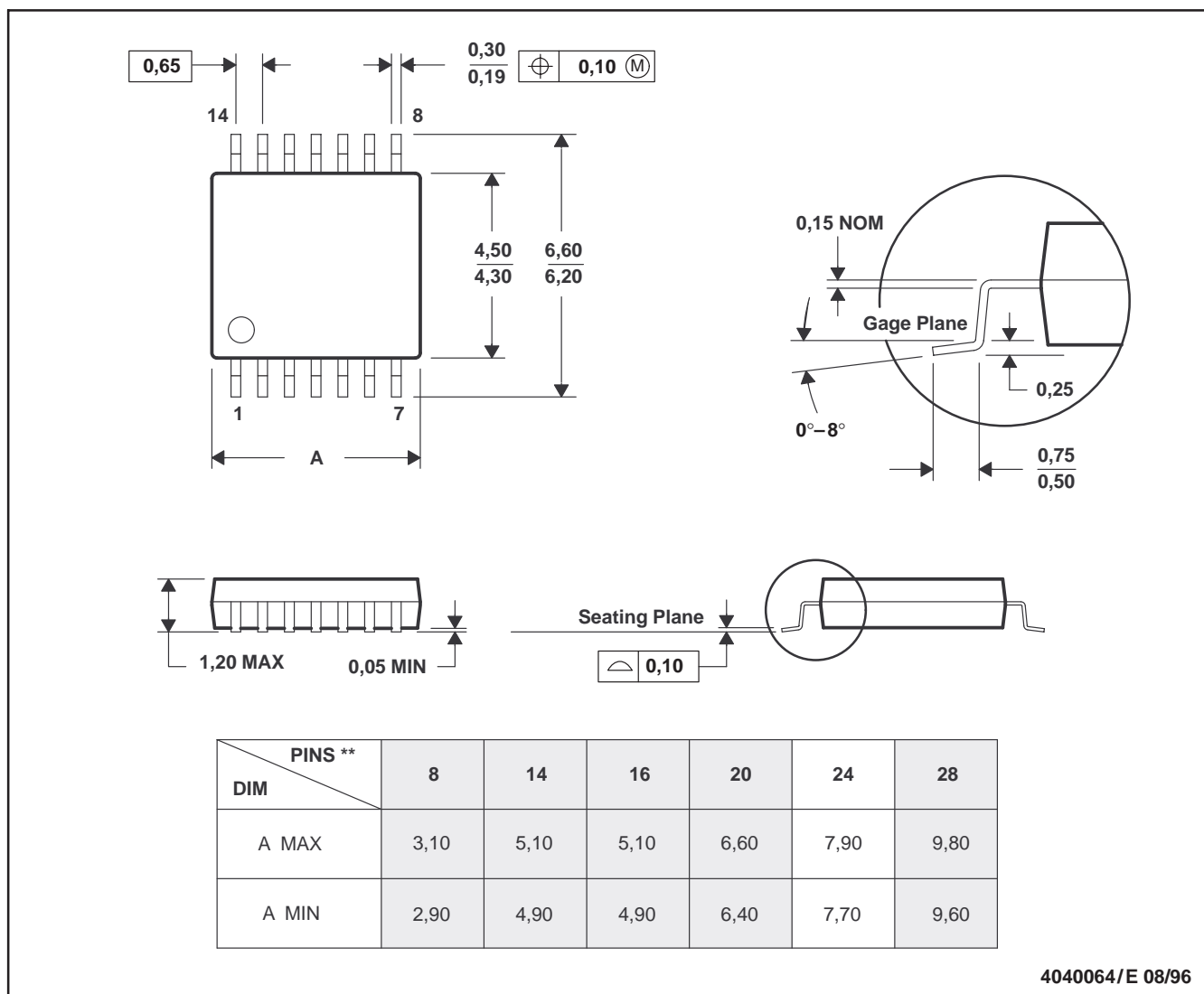
SCAS638 – DECEMBER 1999

MECHANICAL INFORMATION

PW (R-PDSO-G**)

PLASTIC SMALL-OUTLINE PACKAGE

14 PIN SHOWN



- NOTES: A. All linear dimensions are in millimeters.
 B. This drawing is subject to change without notice.
 C. Body dimensions do not include mold flash or protrusion not to exceed 0,15.
 D. Falls within JEDEC MO-153

IMPORTANT NOTICE

Texas Instruments and its subsidiaries (TI) reserve the right to make changes to their products or to discontinue any product or service without notice, and advise customers to obtain the latest version of relevant information to verify, before placing orders, that information being relied on is current and complete. All products are sold subject to the terms and conditions of sale supplied at the time of order acknowledgement, including those pertaining to warranty, patent infringement, and limitation of liability.

TI warrants performance of its semiconductor products to the specifications applicable at the time of sale in accordance with TI's standard warranty. Testing and other quality control techniques are utilized to the extent TI deems necessary to support this warranty. Specific testing of all parameters of each device is not necessarily performed, except those mandated by government requirements.

CERTAIN APPLICATIONS USING SEMICONDUCTOR PRODUCTS MAY INVOLVE POTENTIAL RISKS OF DEATH, PERSONAL INJURY, OR SEVERE PROPERTY OR ENVIRONMENTAL DAMAGE ("CRITICAL APPLICATIONS"). TI SEMICONDUCTOR PRODUCTS ARE NOT DESIGNED, AUTHORIZED, OR WARRANTED TO BE SUITABLE FOR USE IN LIFE-SUPPORT DEVICES OR SYSTEMS OR OTHER CRITICAL APPLICATIONS. INCLUSION OF TI PRODUCTS IN SUCH APPLICATIONS IS UNDERSTOOD TO BE FULLY AT THE CUSTOMER'S RISK.

In order to minimize risks associated with the customer's applications, adequate design and operating safeguards must be provided by the customer to minimize inherent or procedural hazards.

TI assumes no liability for applications assistance or customer product design. TI does not warrant or represent that any license, either express or implied, is granted under any patent right, copyright, mask work right, or other intellectual property right of TI covering or relating to any combination, machine, or process in which such semiconductor products or services might be or are used. TI's publication of information regarding any third party's products or services does not constitute TI's approval, warranty or endorsement thereof.