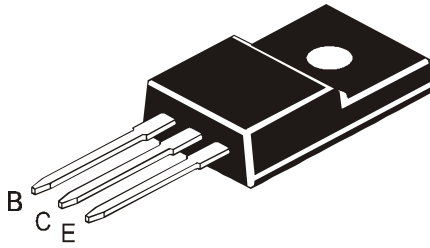


**NPN SILICON PLANAR POWER TRANSISTOR**

**CFC2026**



**TO-220FP Fully Isolated Plastic Package**

**Complementary CFA1046**

**ABSOLUTE MAXIMUM RATINGS**

DESCRIPTION	SYMBOL	VALUE	UNIT
Collector Base Voltage	$V_{CBO}$	60	V
Collector Emitter Voltage	$V_{CEO}$	60	V
Emitter Base Voltage	$V_{EBO}$	7.0	V
RMS Isolation Voltage (for 1sec, R.H. <30%, $T_a = 25^\circ\text{C}$ )	** $V_{ISOL}$ (a)	3500	$V_{RMS}$
	(b)	1500	$V_{RMS}$
Collector Current	$I_C$	3.0	A
Base Current	$I_B$	0.5	A
Collector Power Dissipation @ $T_a=25^\circ\text{C}$ @ $T_c=25^\circ\text{C}$	$P_C$	2.0	W
		25	W
Junction Temperature	$T_j$	150	$^\circ\text{C}$
Storage Temperature Range	$T_{stg}$	- 55 to 150	$^\circ\text{C}$

\*\* RMS Isolation Voltage: (a) 3500  $V_{RMS}$  with Package in Clip Mounting Position (b) 1500  $V_{RMS}$  with Package in Screw Mounting Position (for 1sec, R.H.<30%,  $T_a=25^\circ\text{C}$ ; Pulse Test: Pulse Width  $\leq 300\text{ms}$ , Duty Cycle  $\leq 2\%$ )

**ELECTRICAL CHARACTERISTICS ( $T_a=25^\circ\text{C}$  unless specified otherwise)**

DESCRIPTION	SYMBOL	TEST CONDITION	MIN	TYP	MAX	UNIT
Collector Cut off Current	$I_{CBO}$	$V_{CB} = 60\text{V}, I_E=0$			100	$\mu\text{A}$
Emitter Cut off Current	$I_{EBO}$	$V_{EB} = 7\text{V}, I_C=0$			100	$\mu\text{A}$
Collector Emitter Voltage	$V_{CEO}$	$I_C = 50\text{mA}, I_B=0$	60			V
DC Current Gain	* $h_{FE}$	$V_{CE} = 5\text{V}, I_C = 0.5\text{A}$	100		300	
Collector Emitter Saturation Voltage	$V_{CE(sat)}$	$I_C = 2\text{A}, I_B = 0.2\text{A}$			1	V
Base Emitter On Voltage	$V_{BE(on)}$	$V_{CE} = 5\text{V}, I_C = 0.5\text{A}$			1	V
Transition Frequency	$f_T$	$V_{CE} = 5\text{V}, I_C = 0.5\text{A}$		30		MHz
Collector Output Capacitance	$C_{ob}$	$V_{CB} = 10\text{V}, I_E=0, f=1\text{MHz}$		35		pF

**Switching Time**

Turn On Time	$t_{on}$	$I_{B1} = I_{B2} = 0.2\text{A}$ $V_{CC} = 30\text{V}$ Duty Cycle $\leq 1\%$		0.65		$\mu\text{s}$
Storage Time	$t_{stg}$			1.30		$\mu\text{s}$
Fall Time	$t_f$			0.65		$\mu\text{s}$

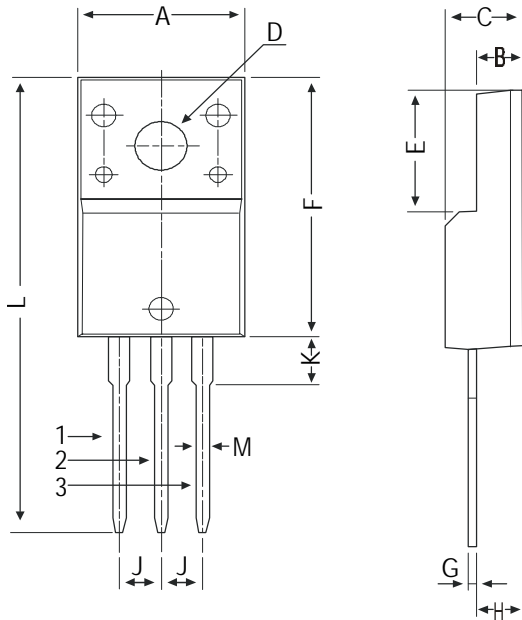
\* $h_{FE}$  Classification

**Y : 100 - 200**

**GR : 150 - 300**

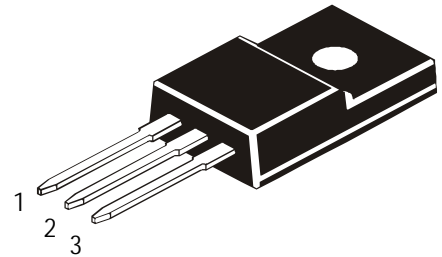
TO-220FP Fully Isolated Plastic Package

TO-220FP Fully Isolated Plastic Package



DIM	MIN	MAX
A	9.96	10.36
B	2.60	3.00
C	4.50	4.90
D	3.10	3.30
E	7.90	8.20
F	16.87	17.27
G	0.45	0.50
H	2.56	2.96
J	2.34	2.74
K	—	3.08
L	—	30.05
M	—	0.80

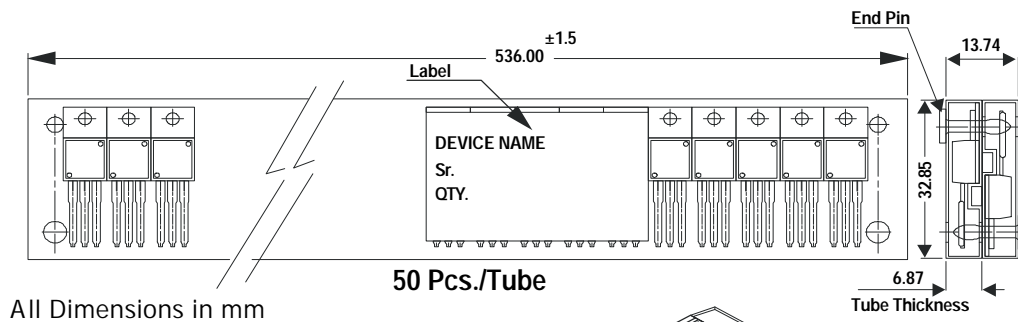
All diminsions in mm.



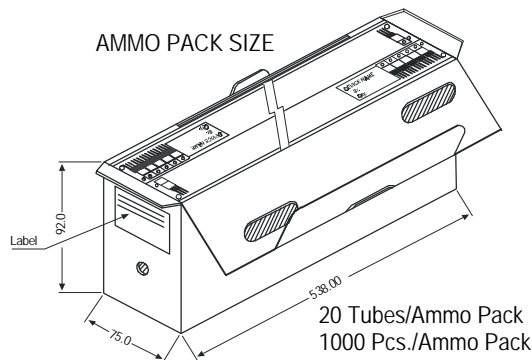
Pin Configuration

- 1. Base
- 2. Collector
- 3. Emitter

TO-220 FP Tube Packing



AMMO PACK SIZE



Packing Detail

PACKAGE	STANDARD PACK		INNER CARTON BOX		OUTER CARTON BOX		
	Details	Net Weight/Qty	Size	Qty	Size	Qty	Gr Wt
TO-220FP	200 pcs/polybag	396 gm/200 pcs	3" x 7.5" x 7.5"	1K	17" x 15" x 13.5"	16K	36 kgs
	50 pcs/tube	135 gm/50 pcs	3.5" x 3.7" x 21.5"	1K	19" x 19" x 19"	10K	28 kgs

### **Disclaimer**

The product information and the selection guides facilitate selection of the CDIL's Discrete Semiconductor Device(s) best suited for application in your product(s) as per your requirement. It is recommended that you completely review our Data Sheet(s) so as to confirm that the Device(s) meet functionality parameters for your application. The information furnished in the Data Sheet and on the CDIL Web Site/CD are believed to be accurate and reliable. CDIL however, does not assume responsibility for inaccuracies or incomplete information. Furthermore, CDIL does not assume liability whatsoever, arising out of the application or use of any CDIL product; neither does it convey any license under its patent rights nor rights of others. These products are not designed for use in life saving/support appliances or systems. CDIL customers selling these products (either as individual Discrete Semiconductor Devices or incorporated in their end products), in any life saving/support appliances or systems or applications do so at their own risk and CDIL will not be responsible for any damages resulting from such sale(s).

CDIL strives for continuous improvement and reserves the right to change the specifications of its products without prior notice.



CDIL is a registered Trademark of  
Continental Device India Limited

C-120 Naraina Industrial Area, New Delhi 110 028, India.  
Telephone + 91-11-579 6150 Fax + 91-11-579 9569, 579 5290  
e-mail sales@cdil.com www.cdil.com