

# DATA SHEET

## **CGY2014ATW** **GSM/DCS/PCS power amplifier**

Preliminary specification  
File under Integrated Circuits, IC17

2000 Nov 28

**GSM/DCS/PCS power amplifier****CGY2014ATW****FEATURES**

- Operates at 3.6 V battery supply voltage
- Power Amplifier (PA) output power:  
35 dBm in GSM band and 32.5 dBm in DCS/PCS band
- Input power: 5 dBm in GSM band and DCS/PCS band
- Wide operating temperature range from  
 $T_{amb} = -20$  to  $+85$  °C
- HTSSOP20 exposed die pad package.

**APPLICATIONS**

- Dual-band systems: Low Band (LB) from 880 to 915 MHz hand-held transceivers for E-GSM and High Band (HB) from 1710 to 1910 MHz for DCS/PCS applications.

**GENERAL DESCRIPTION**

The CGY2014ATW is a dual-band GSM/DCS/PCS GaAs Monolithic Microwave Integrated Circuit (MMIC) power amplifier. The circuit is specifically designed to operate at 3.6 V battery supply voltage.

The power amplifier requires only a 30 dB harmonic low-pass filter to comply with the transmit spurious specification.

The voltages applied on pins  $V_{DD}$  (drain) control the power of the power amplifier and enable it to be switched off.

**QUICK REFERENCE DATA**

SYMBOL	PARAMETER	MIN.	TYP.	MAX.	UNIT
$V_{DD}$	supply voltage	–	3.5	5.2	V
$I_{DD(LB)}$	GSM positive peak supply current	–	2	–	A
$P_{o(LB)(max)}$	maximum output power in GSM band	34.5	35	–	dBm
$I_{DD(HB)}$	DCS/PCS positive peak supply current	–	1.5	–	A
$P_{o(HB)(max)}$	maximum output power in DCS/PCS band	32	32.5	–	dBm
$T_{amb}$	ambient temperature	–20	–	+85	°C

**ORDERING INFORMATION**

TYPE NUMBER	PACKAGE		
	NAME	DESCRIPTION	VERSION
CGY2014ATW	HTSSOP20	plastic, heatsink thin shrink small outline package; 20 leads; body width 4.4 mm	SOT527-1

GSM/DCS/PCS power amplifier

CGY2014ATW

BLOCK DIAGRAM

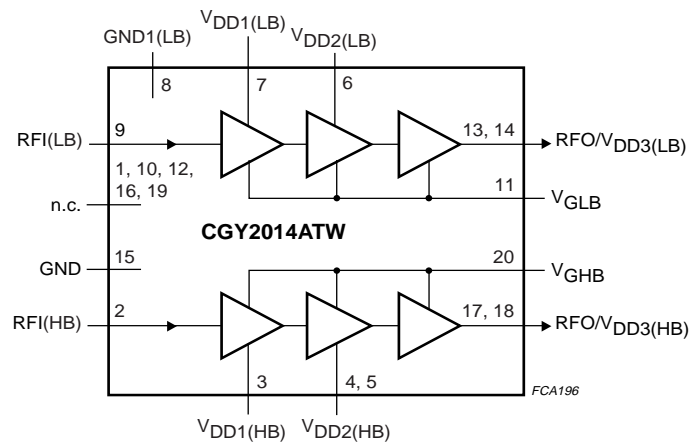


Fig.1 Block diagram.

GSM/DCS/PCS power amplifier

CGY2014ATW

**PINNING**

SYMBOL	PIN	DESCRIPTION
n.c.	1	not connected
RFI(HB)	2	DCS/PCS power amplifier input
V <sub>DD1</sub> (HB)	3	DCS/PCS first stage supply voltage
V <sub>DD2</sub> (HB)	4	DCS/PCS second stage supply voltage
V <sub>DD2</sub> (HB)	5	DCS/PCS second stage supply voltage
V <sub>DD2</sub> (LB)	6	GSM second stage supply voltage
V <sub>DD1</sub> (LB)	7	GSM first stage supply voltage
GND1(LB)	8	GSM first stage ground
RFI(LB)	9	GSM power amplifier input
n.c.	10	not connected
V <sub>GLB</sub>	11	GSM power amplifier gates
n.c.	12	not connected
RFO/V <sub>DD3</sub> (LB)	13	GSM power amplifier output and third stage supply voltage
RFO/V <sub>DD3</sub> (LB)	14	GSM power amplifier output and third stage supply voltage
GND	15	ground
n.c.	16	internal connection to ground; pin should not be connected to the board
RFO/V <sub>DD3</sub> (HB)	17	DCS/PCS power amplifier output and third stage supply voltage
RFO/V <sub>DD3</sub> (HB)	18	DCS/PCS power amplifier output and third stage supply voltage
n.c.	19	not connected
V <sub>GHB</sub>	20	DCS/PCS power amplifier gates
–	exposed die	ground

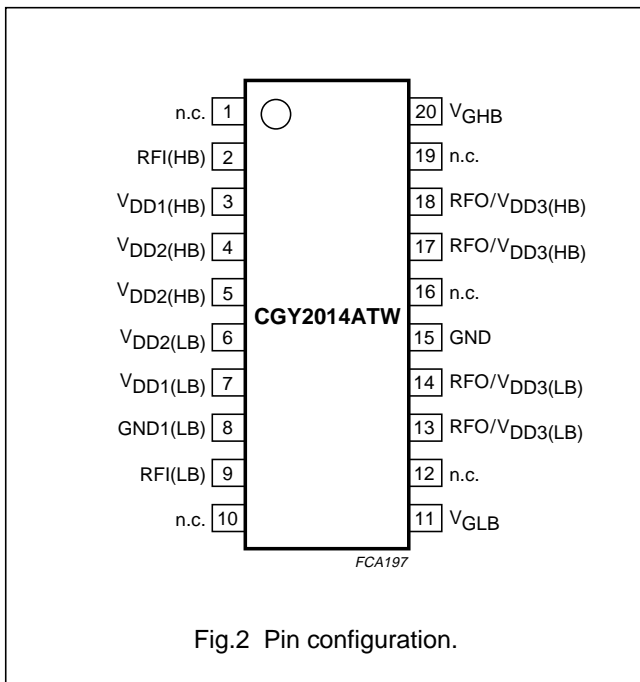


Fig.2 Pin configuration.

**FUNCTIONAL DESCRIPTION**

**Operating conditions**

The CGY2014ATW is designed to meet the European Telecommunications Standards Institute (ETSI) GSM documents, the "ETS 300 577 specification", which are defined as follows:

- $t_{on} = 570 \mu s$
- $T = 4.16 ms$
- Duty cycle  $\delta = 1/8$ .

Multislot operation can be implemented provided that the application circuit does not drive the IC beyond the limiting values.

**Power amplifier**

The GSM and DCS/PCS power amplifiers consist of three cascaded gain stages with an open-drain configuration. Each drain has to be loaded externally by an adequate reactive circuit which also has to be a DC path to the supply.

## GSM/DCS/PCS power amplifier

## CGY2014ATW

**LIMITING VALUES**

In accordance with the Absolute Maximum Rating System (IEC 60134).

SYMBOL	PARAMETER	CONDITIONS	MAX.	UNIT
$V_{DD}$	supply voltage		5.2	V
$T_{j(max)}$	maximum operating junction temperature		150	°C
$T_{stg}$	storage temperature		150	°C
$P_{tot}$	total power dissipation	note 1	2.0	W
$P_{i(LB)}$	GSM input power		10	dBm
$P_{i(HB)}$	DCS/PCS input power		10	dBm

**Note**

1. The total power dissipation is measured under GSM pulse conditions in a good thermal environment; see *Application Note* (tbf).

**THERMAL CHARACTERISTICS**

SYMBOL	PARAMETER	CONDITIONS	VALUE	UNIT
$R_{th(j-c)}$	thermal resistance from junction to case	note 1	30	K/W

**Note**

1. This thermal resistance is measured under GSM pulse conditions in a good thermal environment; see *Application Note* (tbf).

**DC CHARACTERISTICS**

$V_{DD} = 3.5$  V;  $T_{amb} = 25$  °C; measured on the Philips application diagram (see Fig.3); general operating conditions applied; peak current values measured during burst; unless otherwise specified.

SYMBOL	PARAMETER	CONDITIONS	MIN.	TYP.	MAX.	UNIT
<b>Supplies: pins <math>V_{DD1(LB)}</math>, <math>V_{DD2(LB)}</math>, <math>RFO/V_{DD3(LB)}</math>, <math>V_{DD1(HB)}</math>, <math>V_{DD2(HB)}</math> and <math>RFO/V_{DD3(HB)}</math></b>						
$V_{DD}$	supply voltage	note 1	0	3.5	5.2	V
$I_{DD(LB)}$	GSM positive peak supply current	$P_{i(LB)} = 5$ dBm	–	2	–	A
$I_{DD(HB)}$	DCS/PCS positive peak supply current	$P_{i(HB)} = 5$ dBm	–	1.5	–	A
$I_{DD(ip)(LB)}$	GSM positive supply current	note 2	–	200	300	mA
$I_{DD(ip)(HB)}$	DCS/PCS positive supply current	note 3	–	200	300	mA

**Notes**

1. The supply circuit includes a (drain) MOS switch with  $R_{DSon} = 40$  mΩ. The battery voltage is 3.6 V (typical).
2.  $V_{DD1(LB)} = 2.8$  V;  $V_{DD1(LB)}$  adjusted for  $P_{o(LB)} = 15$  dBm, this adjustment is typically 0.5V.
3.  $V_{DD1(HB)} = 2.8$  V;  $V_{DD1(HB)}$  adjusted for  $P_{o(HB)} = 15$  dBm, this adjustment is typically 0.6V.

## GSM/DCS/PCS power amplifier

## CGY2014ATW

## AC CHARACTERISTICS

$V_{DD1} = 2.8\text{ V}$ ;  $V_{DD2} = V_{DD3} = 3.5\text{ V}$ ;  $T_{amb} = 25\text{ }^{\circ}\text{C}$ ; measured on the Philips application diagram (see Fig.3).

SYMBOL	PARAMETER	CONDITIONS	MIN.	TYP.	MAX.	UNIT
<b>Low band: GSM power amplifier</b>						
$P_{i(LB)}$	input power		3	5	7	dBm
$f_{RF(LB)}$	RF frequency range		880	–	915	MHz
$P_{o(LB)(max)}$	maximum output power		34.5	35	–	dBm
$\eta_{LB}$	efficiency		50	55	–	%
$P_{o(LB)(min)}$	minimum output power	$V_{DD} = 0\text{ V}$ ; $P_{i(LB)} = 5\text{ dBm}$	–	–30	–	dBm
$N_{RX(LB)}$	output noise in RX band	$P_{i(LB)} = 5\text{ dBm}$ $f_{RF} = 925\text{ to }935\text{ MHz}$	–	–	–117	dBm/Hz
		$f_{RF} = 935\text{ to }960\text{ MHz}$	–	–	–129	dBm/Hz
$H2_{LB}$	2nd harmonic level	$P_{i(LB)} = 5\text{ dBm}$	–	–	–35	dBc
$H3_{LB}$	3rd harmonic level	$P_{i(LB)} = 5\text{ dBm}$	–	–	–35	dBc
$Stab_{LB}$	stability	$P_{i(LB)} = 5\text{ dBm}$ ; note 1	–	–	–60	dBc
<b>High band: DCS/PCS power amplifier; note 2</b>						
$P_{i(HB)}$	input power		3	5	7	dBm
$f_{RF(HB)}$	RF frequency range	for DCS operation	1710	–	1785	MHz
$P_{o(HB)(max)}$	maximum output power		32	32.5	–	dBm
$\eta_{HB}$	efficiency		38	40	–	%
$P_{o(HB)(min)}$	minimum output power	$V_{DD} = 0\text{ V}$ ; $P_{i(HB)} = 5\text{ dBm}$	–	–30	–	dBm
$\alpha_{HB}$	high band isolation when low band is operating	$V_{DD(LB)} = 3.5\text{ V}$ ; $P_{i(LB)} = 5\text{ dBm}$ ; $V_{DD(HB)} = 0\text{ V}$ ; $P_{i(HB)} = 5\text{ dBm}$ ; note 3	–	0	–	dBm
$N_{RX(HB)}$	output noise in RX band	$P_{i(HB)} = 5\text{ dBm}$	–	–	–121	dBm/Hz
$H2_{HB}$	2nd harmonic level	$P_{i(HB)} = 5\text{ dBm}$	–	–	–35	dBc
$H3_{HB}$	3rd harmonic level	$P_{i(HB)} = 5\text{ dBm}$	–	–	–35	dBc
$Stab_{HB}$	stability	$P_{i(HB)} = 5\text{ dBm}$ ; note 1	–	–	–60	dBc

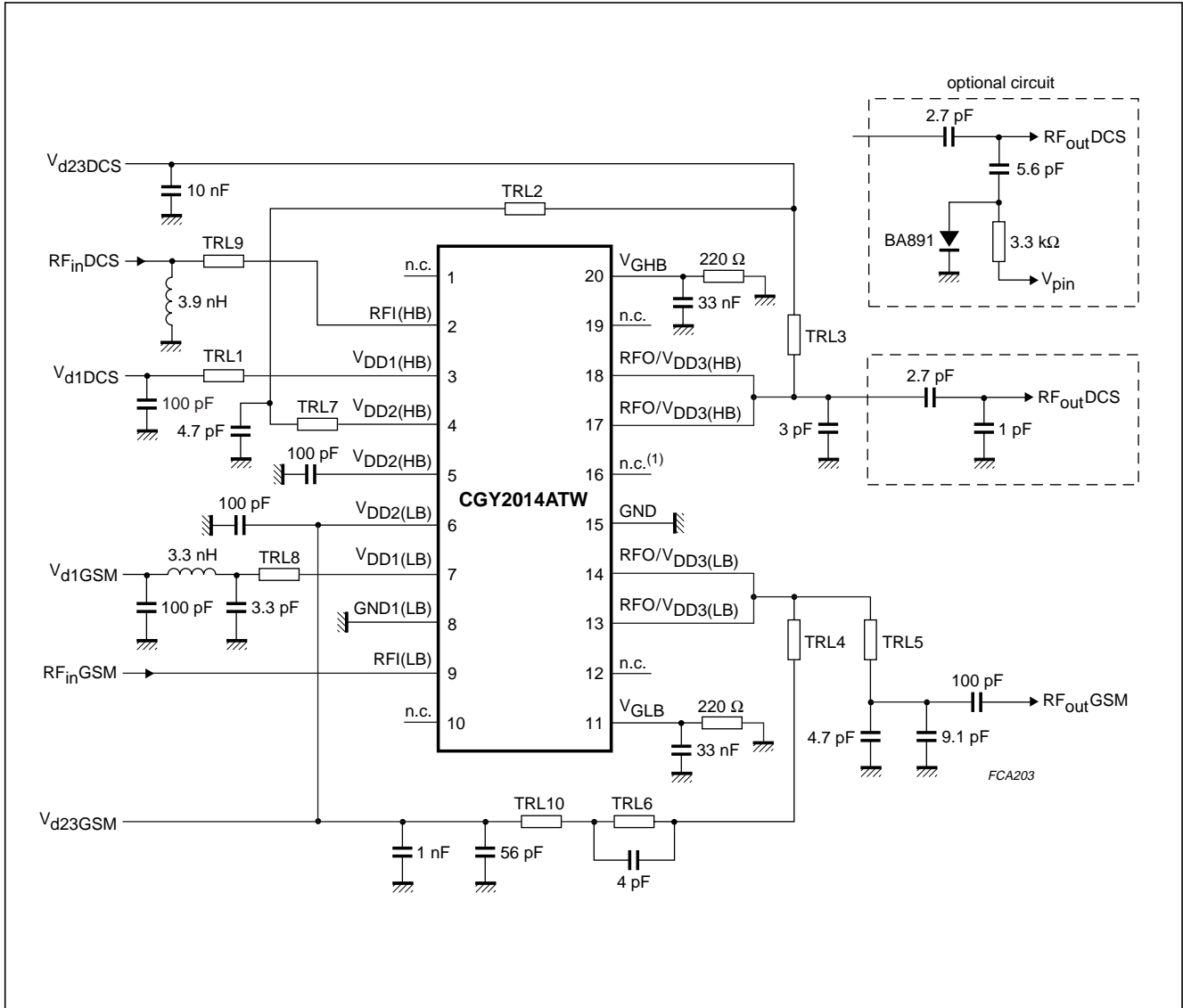
## Notes

1. The device is adjusted to provide nominal load power into a  $50\ \Omega$  load. The device is switched off and a 6 : 1 load replaces the  $50\ \Omega$  load. The device is switched on and the phase of the 6 : 1 load is varied 360 electrical degrees during a 60 seconds test period.
2. The power amplifier can be matched to PCS and/or DCS/PCS operation through optimization of the matching circuit; see *Application Note* (tbf).
3. Isolation can be improved to  $-20\text{ dBm}$  (typical) with a pin diode switched in the DCS output matching circuit.

GSM/DCS/PCS power amplifier

CGY2014ATW

APPLICATION INFORMATION



(1) Pin 16 is internally connected to ground and should not be connected to the board.

(2) Transmission lines:

Thickness 0.4 mm, substrate FR4 and  $\epsilon_r = 4.7$ .

TRL1: width = 500  $\mu\text{m}$ , length = 4.5 mm.

TRL2: width = 500  $\mu\text{m}$ , length = 15 mm, thickness = 1.6 mm.

TRL3: width = 300  $\mu\text{m}$ , length = 32 mm.

TRL4: width = 350  $\mu\text{m}$ , length = 4 mm.

TRL5: width = 800  $\mu\text{m}$ , length = 1.5 mm.

TRL6: width = 450  $\mu\text{m}$ , length = 13 mm.

TRL7: width = 500  $\mu\text{m}$ , length = 2.5 mm.

TRL8: width = 300  $\mu\text{m}$ , length = 2.5 mm.

TRL9: width = 800  $\mu\text{m}$ , length = 5 mm.

TRL10: width = 450  $\mu\text{m}$ , length = 2 mm.

Fig.3 Application diagram.

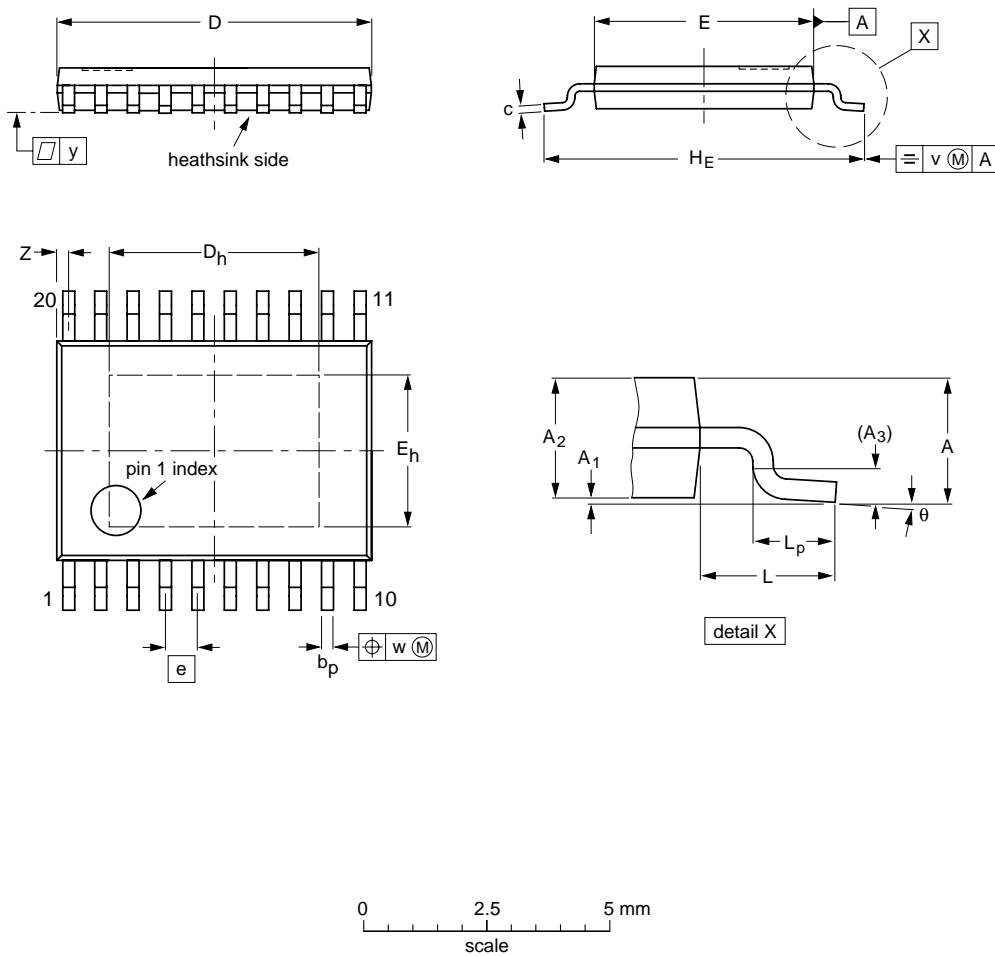
GSM/DCS/PCS power amplifier

CGY2014ATW

PACKAGE OUTLINE

HTSSOP20: plastic, heatsink thin shrink small outline package; 20 leads; body width 4.4 mm

SOT527-1



DIMENSIONS (mm are the original dimensions)

UNIT	A max.	A <sub>1</sub>	A <sub>2</sub>	A <sub>3</sub>	b <sub>p</sub>	c	D <sup>(1)</sup>	D <sub>h</sub>	E <sup>(2)</sup>	E <sub>h</sub>	e	H <sub>E</sub>	L	L <sub>p</sub>	v	w	y	z <sup>(1)</sup>	θ
mm	1.10	0.15 0.05	0.95 0.80	0.25	0.30 0.19	0.20 0.09	6.6 6.4	4.3 4.1	4.5 4.3	3.1 2.9	0.65	6.6 6.2	1.0	0.75 0.50	0.2	0.13	0.1	0.5 0.2	8° 0°

Notes

1. Plastic or metal protrusions of 0.15 mm maximum per side are not included.
2. Plastic interlead protrusions of 0.25 mm maximum per side are not included.

OUTLINE VERSION	REFERENCES				EUROPEAN PROJECTION	ISSUE DATE
	IEC	JEDEC	EIAJ			
SOT527-1						99-11-12- 00-07-12



## GSM/DCS/PCS power amplifier

## CGY2014ATW

**SOLDERING****Introduction to soldering surface mount packages**

This text gives a very brief insight to a complex technology. A more in-depth account of soldering ICs can be found in our *"Data Handbook IC26; Integrated Circuit Packages"* (document order number 9398 652 90011).

There is no soldering method that is ideal for all surface mount IC packages. Wave soldering can still be used for certain surface mount ICs, but it is not suitable for fine pitch SMDs. In these situations reflow soldering is recommended.

**Reflow soldering**

Reflow soldering requires solder paste (a suspension of fine solder particles, flux and binding agent) to be applied to the printed-circuit board by screen printing, stencilling or pressure-syringe dispensing before package placement.

Several methods exist for reflowing; for example, convection or convection/infrared heating in a conveyor type oven. Throughput times (preheating, soldering and cooling) vary between 100 and 200 seconds depending on heating method.

Typical reflow peak temperatures range from 215 to 250 °C. The top-surface temperature of the packages should preferably be kept below 220 °C for thick/large packages, and below 235 °C for small/thin packages.

**Wave soldering**

Conventional single wave soldering is not recommended for surface mount devices (SMDs) or printed-circuit boards with a high component density, as solder bridging and non-wetting can present major problems.

To overcome these problems the double-wave soldering method was specifically developed.

If wave soldering is used the following conditions must be observed for optimal results:

- Use a double-wave soldering method comprising a turbulent wave with high upward pressure followed by a smooth laminar wave.
- For packages with leads on two sides and a pitch (e):
  - larger than or equal to 1.27 mm, the footprint longitudinal axis is **preferred** to be parallel to the transport direction of the printed-circuit board;
  - smaller than 1.27 mm, the footprint longitudinal axis **must** be parallel to the transport direction of the printed-circuit board.

The footprint must incorporate solder thieves at the downstream end.

- For packages with leads on four sides, the footprint must be placed at a 45° angle to the transport direction of the printed-circuit board. The footprint must incorporate solder thieves downstream and at the side corners.

During placement and before soldering, the package must be fixed with a droplet of adhesive. The adhesive can be applied by screen printing, pin transfer or syringe dispensing. The package can be soldered after the adhesive is cured.

Typical dwell time is 4 seconds at 250 °C.

A mildly-activated flux will eliminate the need for removal of corrosive residues in most applications.

**Manual soldering**

Fix the component by first soldering two diagonally-opposite end leads. Use a low voltage (24 V or less) soldering iron applied to the flat part of the lead. Contact time must be limited to 10 seconds at up to 300 °C.

When using a dedicated tool, all other leads can be soldered in one operation within 2 to 5 seconds between 270 and 320 °C.

GSM/DCS/PCS power amplifier

CGY2014ATW

Suitability of surface mount IC packages for wave and reflow soldering methods

PACKAGE	SOLDERING METHOD	
	WAVE	REFLOW <sup>(1)</sup>
BGA, LFBGA, SQFP, TFBGA	not suitable	suitable
HBCC, HLQFP, HSQFP, HSOP, HTQFP, HTSSOP, SMS	not suitable <sup>(2)</sup>	suitable
PLCC <sup>(3)</sup> , SO, SOJ	suitable	suitable
LQFP, QFP, TQFP	not recommended <sup>(3)(4)</sup>	suitable
SSOP, TSSOP, VSO	not recommended <sup>(5)</sup>	suitable

Notes

1. All surface mount (SMD) packages are moisture sensitive. Depending upon the moisture content, the maximum temperature (with respect to time) and body size of the package, there is a risk that internal or external package cracks may occur due to vaporization of the moisture in them (the so called popcorn effect). For details, refer to the Drypack information in the *"Data Handbook IC26; Integrated Circuit Packages; Section: Packing Methods"*.
2. These packages are not suitable for wave soldering as a solder joint between the printed-circuit board and heatsink (at bottom version) can not be achieved, and as solder may stick to the heatsink (on top version).
3. If wave soldering is considered, then the package must be placed at a 45° angle to the solder wave direction. The package footprint must incorporate solder thieves downstream and at the side corners.
4. Wave soldering is only suitable for LQFP, TQFP and QFP packages with a pitch (e) equal to or larger than 0.8 mm; it is definitely not suitable for packages with a pitch (e) equal to or smaller than 0.65 mm.
5. Wave soldering is only suitable for SSOP and TSSOP packages with a pitch (e) equal to or larger than 0.65 mm; it is definitely not suitable for packages with a pitch (e) equal to or smaller than 0.5 mm.

## GSM/DCS/PCS power amplifier

CGY2014ATW

## DATA SHEET STATUS

DATA SHEET STATUS	PRODUCT STATUS	DEFINITIONS <sup>(1)</sup>
Objective specification	Development	This data sheet contains the design target or goal specifications for product development. Specification may change in any manner without notice.
Preliminary specification	Qualification	This data sheet contains preliminary data, and supplementary data will be published at a later date. Philips Semiconductors reserves the right to make changes at any time without notice in order to improve design and supply the best possible product.
Product specification	Production	This data sheet contains final specifications. Philips Semiconductors reserves the right to make changes at any time without notice in order to improve design and supply the best possible product.

## Note

1. Please consult the most recently issued data sheet before initiating or completing a design.

## DEFINITIONS

**Short-form specification** — The data in a short-form specification is extracted from a full data sheet with the same type number and title. For detailed information see the relevant data sheet or data handbook.

**Limiting values definition** — Limiting values given are in accordance with the Absolute Maximum Rating System (IEC 60134). Stress above one or more of the limiting values may cause permanent damage to the device. These are stress ratings only and operation of the device at these or at any other conditions above those given in the Characteristics sections of the specification is not implied. Exposure to limiting values for extended periods may affect device reliability.

**Application information** — Applications that are described herein for any of these products are for illustrative purposes only. Philips Semiconductors make no representation or warranty that such applications will be suitable for the specified use without further testing or modification.

## DISCLAIMERS

**Life support applications** — These products are not designed for use in life support appliances, devices, or systems where malfunction of these products can reasonably be expected to result in personal injury. Philips Semiconductors customers using or selling these products for use in such applications do so at their own risk and agree to fully indemnify Philips Semiconductors for any damages resulting from such application.

**Right to make changes** — Philips Semiconductors reserves the right to make changes, without notice, in the products, including circuits, standard cells, and/or software, described or contained herein in order to improve design and/or performance. Philips Semiconductors assumes no responsibility or liability for the use of any of these products, conveys no licence or title under any patent, copyright, or mask work right to these products, and makes no representations or warranties that these products are free from patent, copyright, or mask work right infringement, unless otherwise specified.

# Philips Semiconductors – a worldwide company

**Argentina:** see South America

**Australia:** 3 Figtree Drive, HOMEBUSH, NSW 2140,  
Tel. +61 2 9704 8141, Fax. +61 2 9704 8139

**Austria:** Computerstr. 6, A-1101 WIEN, P.O. Box 213,  
Tel. +43 1 60 101 1248, Fax. +43 1 60 101 1210

**Belarus:** Hotel Minsk Business Center, Bld. 3, r. 1211, Volodarski Str. 6,  
220050 MINSK, Tel. +375 172 20 0733, Fax. +375 172 20 0773

**Belgium:** see The Netherlands

**Brazil:** see South America

**Bulgaria:** Philips Bulgaria Ltd., Energoproject, 15th floor,  
51 James Bourchier Blvd., 1407 SOFIA,  
Tel. +359 2 68 9211, Fax. +359 2 68 9102

**Canada:** PHILIPS SEMICONDUCTORS/COMPONENTS,  
Tel. +1 800 234 7381, Fax. +1 800 943 0087

**China/Hong Kong:** 501 Hong Kong Industrial Technology Centre,  
72 Tat Chee Avenue, Kowloon Tong, HONG KONG,  
Tel. +852 2319 7888, Fax. +852 2319 7700

**Colombia:** see South America

**Czech Republic:** see Austria

**Denmark:** Sydhavnsgade 23, 1780 COPENHAGEN V,  
Tel. +45 33 29 3333, Fax. +45 33 29 3905

**Finland:** Sinikalliontie 3, FIN-02630 ESPOO,  
Tel. +358 9 615 800, Fax. +358 9 6158 0920

**France:** 51 Rue Carnot, BP317, 92156 SURESNES Cedex,  
Tel. +33 1 4099 6161, Fax. +33 1 4099 6427

**Germany:** Hammerbrookstraße 69, D-20097 HAMBURG,  
Tel. +49 40 2353 60, Fax. +49 40 2353 6300

**Hungary:** see Austria

**India:** Philips INDIA Ltd, Band Box Building, 2nd floor,  
254-D, Dr. Annie Besant Road, Worli, MUMBAI 400 025,  
Tel. +91 22 493 8541, Fax. +91 22 493 0966

**Indonesia:** PT Philips Development Corporation, Semiconductors Division,  
Gedung Philips, Jl. Buncit Raya Kav.99-100, JAKARTA 12510,  
Tel. +62 21 794 0040 ext. 2501, Fax. +62 21 794 0080

**Ireland:** Newstead, Clonskeagh, DUBLIN 14,  
Tel. +353 1 7640 000, Fax. +353 1 7640 200

**Israel:** RAPAC Electronics, 7 Kehilat Saloniki St, PO Box 18053,  
TEL AVIV 61180, Tel. +972 3 645 0444, Fax. +972 3 649 1007

**Italy:** PHILIPS SEMICONDUCTORS, Via Casati, 23 - 20052 MONZA (MI),  
Tel. +39 039 203 6838, Fax +39 039 203 6800

**Japan:** Philips Bldg 13-37, Kohnan 2-chome, Minato-ku,  
TOKYO 108-8507, Tel. +81 3 3740 5130, Fax. +81 3 3740 5057

**Korea:** Philips House, 260-199 Itaewon-dong, Yongsan-ku, SEOUL,  
Tel. +82 2 709 1412, Fax. +82 2 709 1415

**Malaysia:** No. 76 Jalan Universiti, 46200 PETALING JAYA, SELANGOR,  
Tel. +60 3 750 5214, Fax. +60 3 757 4880

**Mexico:** 5900 Gateway East, Suite 200, EL PASO, TEXAS 79905,  
Tel. +9-5 800 234 7381, Fax +9-5 800 943 0087

**Middle East:** see Italy

**Netherlands:** Postbus 90050, 5600 PB EINDHOVEN, Bldg. VB,  
Tel. +31 40 27 82785, Fax. +31 40 27 88399

**New Zealand:** 2 Wagener Place, C.P.O. Box 1041, AUCKLAND,  
Tel. +64 9 849 4160, Fax. +64 9 849 7811

**Norway:** Box 1, Manglerud 0612, OSLO,  
Tel. +47 22 74 8000, Fax. +47 22 74 8341

**Pakistan:** see Singapore

**Philippines:** Philips Semiconductors Philippines Inc.,  
106 Valero St. Salcedo Village, P.O. Box 2108 MCC, MAKATI,  
Metro MANILA, Tel. +63 2 816 6380, Fax. +63 2 817 3474

**Poland:** Al.Jerozolimskie 195 B, 02-222 WARSAW,  
Tel. +48 22 5710 000, Fax. +48 22 5710 001

**Portugal:** see Spain

**Romania:** see Italy

**Russia:** Philips Russia, Ul. Usatcheva 35A, 119048 MOSCOW,  
Tel. +7 095 755 6918, Fax. +7 095 755 6919

**Singapore:** Lorong 1, Toa Payoh, SINGAPORE 319762,  
Tel. +65 350 2538, Fax. +65 251 6500

**Slovakia:** see Austria

**Slovenia:** see Italy

**South Africa:** S.A. PHILIPS Pty Ltd., 195-215 Main Road Martindale,  
2092 JOHANNESBURG, P.O. Box 58088 Newville 2114,  
Tel. +27 11 471 5401, Fax. +27 11 471 5398

**South America:** Al. Vicente Pinzon, 173, 6th floor,  
04547-130 SÃO PAULO, SP, Brazil,  
Tel. +55 11 821 2333, Fax. +55 11 821 2382

**Spain:** Balmes 22, 08007 BARCELONA,  
Tel. +34 93 301 6312, Fax. +34 93 301 4107

**Sweden:** Kottbygatan 7, Akalla, S-16485 STOCKHOLM,  
Tel. +46 8 5985 2000, Fax. +46 8 5985 2745

**Switzerland:** Allmendstrasse 140, CH-8027 ZÜRICH,  
Tel. +41 1 488 2741 Fax. +41 1 488 3263

**Taiwan:** Philips Semiconductors, 5F, No. 96, Chien Kuo N. Rd., Sec. 1,  
TAIPEI, Taiwan Tel. +886 2 2134 2451, Fax. +886 2 2134 2874

**Thailand:** PHILIPS ELECTRONICS (THAILAND) Ltd.,  
60/14 MOO 11, Bangna Trad Road KM. 3, Bagna, BANGKOK 10260,  
Tel. +66 2 361 7910, Fax. +66 2 398 3447

**Turkey:** Yukari Dudullu, Org. San. Blg., 2.Cad. Nr. 28 81260 Umraniye,  
ISTANBUL, Tel. +90 216 522 1500, Fax. +90 216 522 1813

**Ukraine:** PHILIPS UKRAINE, 4 Patrice Lumumba str., Building B, Floor 7,  
252042 KIEV, Tel. +380 44 264 2776, Fax. +380 44 268 0461

**United Kingdom:** Philips Semiconductors Ltd., 276 Bath Road, Hayes,  
MIDDLESEX UB3 5BX, Tel. +44 208 730 5000, Fax. +44 208 754 8421

**United States:** 811 East Arques Avenue, SUNNYVALE, CA 94088-3409,  
Tel. +1 800 234 7381, Fax. +1 800 943 0087

**Uruguay:** see South America

**Vietnam:** see Singapore

**Yugoslavia:** PHILIPS, Trg N. Pasica 5/v, 11000 BEOGRAD,  
Tel. +381 11 3341 299, Fax.+381 11 3342 553

**For all other countries apply to:** Philips Semiconductors,  
Marketing Communications, Building BE-p, P.O. Box 218, 5600 MD EINDHOVEN,  
The Netherlands, Fax. +31 40 27 24825

**Internet:** <http://www.semiconductors.philips.com>

© Philips Electronics N.V. 2000

SCA 70

All rights are reserved. Reproduction in whole or in part is prohibited without the prior written consent of the copyright owner.

The information presented in this document does not form part of any quotation or contract, is believed to be accurate and reliable and may be changed without notice. No liability will be accepted by the publisher for any consequence of its use. Publication thereof does not convey nor imply any license under patent- or other industrial or intellectual property rights.

Printed in The Netherlands

403506/01/pp12

Date of release: 2000 Nov 28

Document order number: 9397 750 07456

*Let's make things better.*

**Philips  
Semiconductors**



**PHILIPS**