

Features

- DC to 2 GHz
- Terminals for PCB placement
- Low VSWR
- Aluminum Nitride ceramic

Applications

- RF amplifiers
- Attenuators
- Antenna feeds

CHF2010CNP Series 10 W Power RF Chip Termination

General Specifications

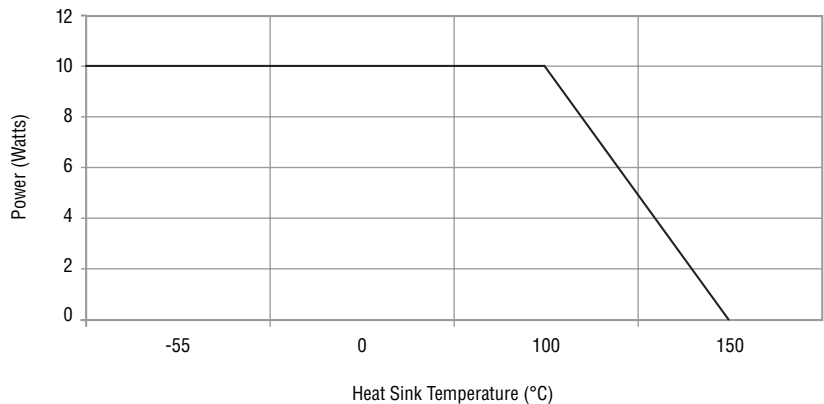
Substrate.....ALN
 Resistive Film.....Thick-Film
 Terminals.....PtAg*
 Resistance.....50 Ω
 Tolerance.....±5 %
 Packaging
 Tape & Reel.....2000 pcs./7 " reel
 Bulk100 pcs./bag

Absolute Ratings

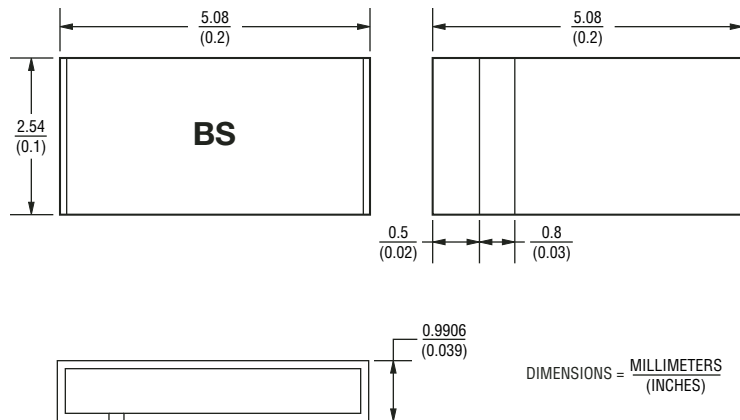
Power.....10 W
 Frequency2 GHz
 VSWR.....1.2 Maximum

*Default, other finish options available (see How to Order section).

Characteristic Curve



Product Dimensions



Reliable Electronic Solutions

Asia-Pacific:
 Tel: +886-2 2562-4117
 Fax: +886-2 2562-4116

Europe:
 Tel: +41-41 768 5555
 Fax: +41-41 768 5510

The Americas:
 Tel: +1-951 781-5500
 Fax: +1-951 781-5700

www.bourns.com

How To Order

CHF 2010 C N P 500 L Y E

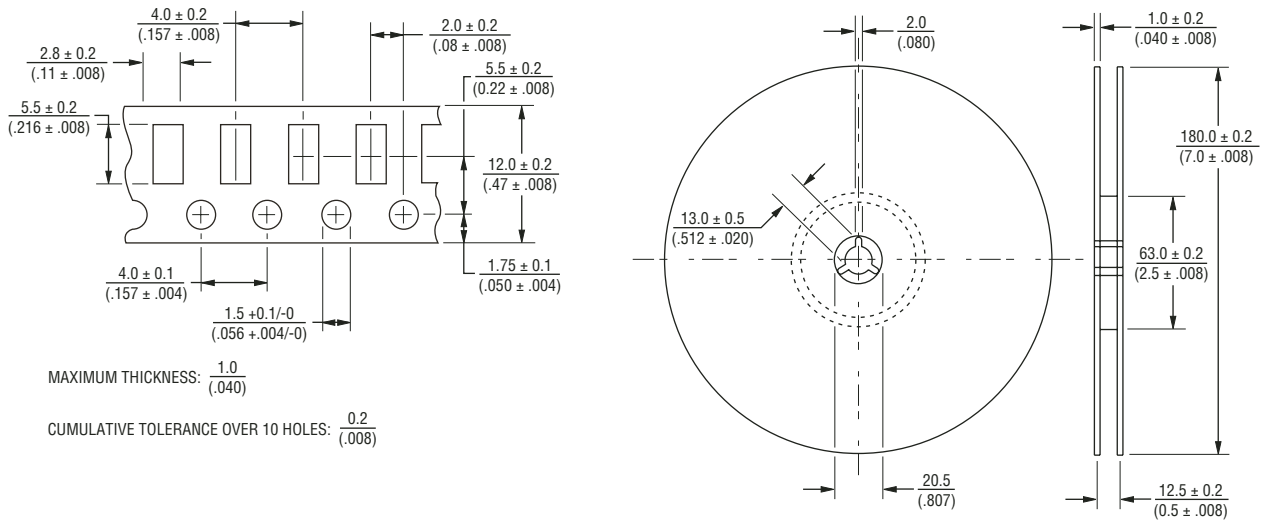
Model _____
 Size _____
 Version _____
 Substrate _____
 Mount _____
 P = Printed Circuit Board
 Value _____
 500 = 50 Ohm
 Function _____
 L = Termination
 Finish _____
 Y = Pt Ag (Default)
 Z = Sn Pb
 X = Ni Au
 Packaging _____
 E = Tape & Reel (2,000 pcs./7 " reel)
 _ = Bulk (100 pcs./bag)

*RoHS Directive 2002/95/EC Jan 27 2003, including Annex
 Specifications are subject to change without notice.
 Customers should verify actual device performance in their specific applications.

CHF2010CNP Series 10 W Power RF Chip Termination

BOURNS®

Packaging Dimensions



MAXIMUM THICKNESS: $\frac{1.0}{(.040)}$

CUMULATIVE TOLERANCE OVER 10 HOLES: $\frac{0.2}{(.008)}$

DIMENSIONS: $\frac{\text{MM}}{(\text{INCHES})}$