

## DC-20GHz Reflective SPDT Switch

### GaAs Monolithic Microwave IC

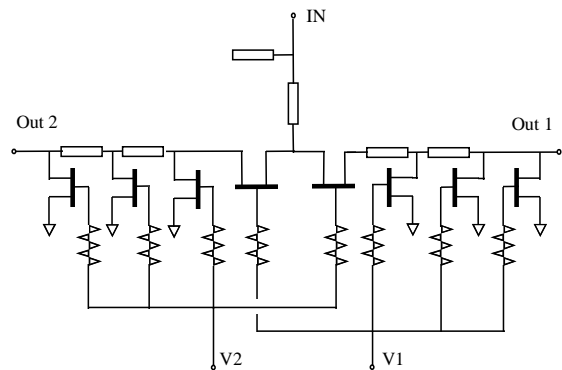
*new*

### Description

The CHS5100 is a wideband monolithic FET based reflective switch manufactured on a standard power process using  $0.7\mu\text{m}$  implanted active layer MESFET, via holes, air bridges and electron beam gate lithography.

This wideband switch is suitable for ultra broadband ECM and EW systems. It can also be used in instrumentation and wideband signal processing applications.

Available in chip form



### Main Features

- Broadband performance : DC-20GHz
- Low insertion loss : 2.1dB@20GHz
- High isolation : 53dB@1GHz  
30dB@20GHz
- Excellent input and output matching:  
VSWR < 1.5:1
- Chip size : 1,92 x 1,22 x 0.1mm

### Main Characteristics

Tamb = +25°C

Symbol	Parameter	Min	Typ	Max	Unit
II	On state insertion loss			2.5	dB

Ref. : DSCHS51006354

1/9Er  
reur!  
Docu  
ment  
princ  
ipal  
seule  
ment

Specifications subject to change without notice

Is	Off state isolation	25			dB
VSWR	Input and output matching			1.5:1	

ESD Protections : Electrostatic sensitive discharge device observe handling precautions !

**Electrical Characteristics**

Tamb = +25°C, specifications are given for typical control voltages and for 50ohm source and load impedance.

Symbol	Parameter	Test Conditions	Min	Typ	Max	Unit
Fop	Operating frequency range		0.5		20	GHz
Il	On state insertion loss	1GHz 5GHz 10GHz 15GHz 20GHz		1.15 1.20 1.40 1.60 2.10	2.50	dB
Is	Off state reverse isolation	1GHz 5GHz 10GHz 15GHz 20GHz	25	53 42 37 34 30		dB
VSWR	Input VSWR				1.5:1	
VSWR	Ouput VSWR				1.5:1	
P <sub>1dB</sub>	Input compressed power	20GHz		20		dBm
Ic	Control current				100	μA
VH	High level control voltage		-2	0		Volt
VL	Low level control voltage			-6	-4.75	Volt

**Absolute Maximum Ratings (1)**

Tamb = +25°C

Symbol	Parameter	Value	Unit
VH,VL	Control voltages	-8 to 0	Volt
Pin	Maximum peak input power overdrive (2)	30	dBm
Top	Operating temperature range	-40 to +85	°C
Tstg	Storage temperature range	-55 to +125	°C

(1) Operation of this device above anyone of these parameters may cause permanent damage

(2) Duration < 1s

## Typical Scattering Parameters

Tamb = +25°C, Bias Conditions : VL = -6V, VH = 0V, on-state IN-Out1 path

Freq. GHz	S11 dB	S11 /°	S12 dB	S12 /°	S21 dB	S21 /°	S22 dB	S22 /°
0.50	-19.93	-4.0	-1.10	-5.6	-1.11	-5.6	-19.98	-5.8
1.00	-19.85	-11.9	-1.12	-10.3	-1.13	-10.3	-19.88	-15.7
1.50	-19.73	-19.5	-1.14	-15.2	-1.14	-15.2	-19.75	-25.1
2.00	-19.63	-26.6	-1.15	-20.1	-1.15	-20.1	-19.60	-33.4
2.50	-19.59	-33.4	-1.17	-25.0	-1.17	-25.0	-19.41	-42.0
3.00	-19.46	-39.7	-1.18	-29.9	-1.19	-29.9	-19.27	-50.1
3.50	-19.38	-46.0	-1.19	-34.8	-1.20	-34.8	-19.08	-58.0
4.00	-19.27	-52.0	-1.21	-39.8	-1.21	-39.7	-18.91	-65.0
4.50	-19.21	-57.8	-1.23	-44.7	-1.23	-44.7	-18.74	-72.6
5.00	-19.22	-62.4	-1.25	-49.6	-1.25	-49.6	-18.62	-78.5
5.50	-19.05	-67.7	-1.26	-54.5	-1.26	-54.6	-18.45	-85.2
6.00	-19.02	-72.0	-1.28	-59.5	-1.28	-59.5	-18.45	-90.5
6.50	-18.96	-75.5	-1.30	-64.4	-1.30	-64.4	-18.35	-95.8
7.00	-18.59	-88.0	-1.31	-69.6	-1.31	-69.6	-18.01	-109.3
7.50	-18.61	-92.8	-1.33	-74.5	-1.33	-74.6	-17.84	-115.5
8.00	-18.52	-96.7	-1.34	-79.5	-1.35	-79.6	-17.92	-121.1
8.50	-18.56	-101.6	-1.36	-84.6	-1.36	-84.6	-17.76	-127.2
9.00	-18.50	-104.7	-1.38	-89.6	-1.38	-89.6	-17.83	-132.3
9.50	-18.51	-109.3	-1.40	-94.7	-1.40	-94.7	-17.82	-138.3
10.00	-18.56	-112.4	-1.42	-99.8	-1.42	-99.8	-18.04	-143.2
10.50	-18.59	-115.7	-1.45	-104.9	-1.44	-104.9	-18.05	-149.0
11.00	-18.69	-119.2	-1.46	-110.1	-1.46	-110.1	-18.22	-153.3
11.50	-18.67	-122.1	-1.48	-115.2	-1.48	-115.3	-18.29	-158.7
12.00	-18.83	-124.5	-1.50	-120.5	-1.50	-120.5	-18.52	-162.7
12.50	-18.95	-127.1	-1.52	-125.7	-1.52	-125.7	-18.68	-167.4
13.00	-18.97	-130.0	-1.54	-131.0	-1.55	-131.1	-19.01	-171.5
13.50	-19.12	-132.8	-1.57	-136.4	-1.57	-136.4	-19.21	-175.7
14.00	-19.19	-134.6	-1.58	-141.8	-1.59	-141.8	-19.63	-179.8
14.50	-19.33	-136.9	-1.60	-147.2	-1.60	-147.3	-20.01	-175.2
15.00	-19.54	-139.0	-1.63	-152.7	-1.63	-152.7	-20.18	-172.7
15.50	-19.67	-141.7	-1.66	-158.2	-1.66	-158.2	-20.59	-166.4
16.00	-19.73	-143.1	-1.68	-163.8	-1.68	-163.8	-20.97	-163.5
16.50	-20.17	-145.3	-1.71	-169.5	-1.71	-169.5	21.10	-160.4
17.00	-20.44	-148.3	-1.75	-175.3	-1.75	-175.3	-21.89	-154.9
17.50	-20.80	-149.5	-1.78	-179.0	-1.78	-178.9	-21.89	-151.5
18.00	-21.11	-154.0	-1.82	-173.0	-1.82	-173.0	-22.51	-147.0
18.50	-21.78	-156.3	-1.86	-167.1	-1.86	-167.1	-23.39	-140.1
19.00	-22.61	-159.3	-1.91	-161.1	-1.91	-161.0	-22.64	-126.9
19.50	-24.05	-164.4	-1.95	-155.1	-1.95	-155.0	-22.32	-125.9
20.00	-25.54	-162.9	-1.98	-148.8	-1.98	-148.7	-23.99	-122.6
20.50	-29.33	-165.4	-2.02	-142.3	-2.03	-142.3	-23.53	-99.0
21.00	-33.39	-164.3	-2.07	-135.7	-2.08	-135.7	-22.77	-89.5
21.50	-46.45	-92.3	-2.13	-129.1	-2.13	-129.0	-23.50	-92.1
22.00	-32.38	-30.2	-2.21	-122.3	-2.21	-122.2	-22.97	-61.6
22.50	-26.53	-20.4	-2.30	-115.0	-2.31	-115.0	-20.57	-52.6
23.00	-22.06	-23.9	-2.44	-107.6	-2.44	-107.6	-19.13	-47.1
23.50	-19.35	-29.7	-2.62	-100.5	-2.63	-100.4	-18.64	-27.7
24.00	-16.65	-34.4	-2.78	-93.1	-2.79	-93.1	-17.00	-15.9
24.50	-14.54	-39.5	-2.98	-85.5	-2.97	-85.6	-15.65	-6.2
25.00	-12.84	-45.9	-3.21	-78.0	-3.21	-77.9	-14.67	-6.7
25.50	-11.32	-51.7	-3.45	-70.2	-3.45	-70.2	-13.41	-16.0

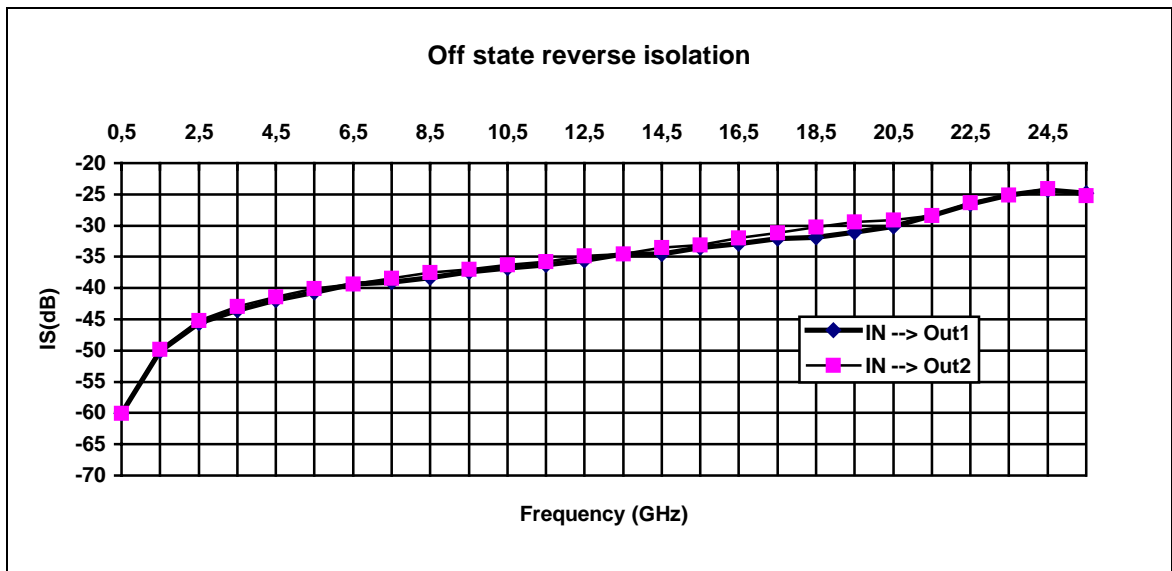
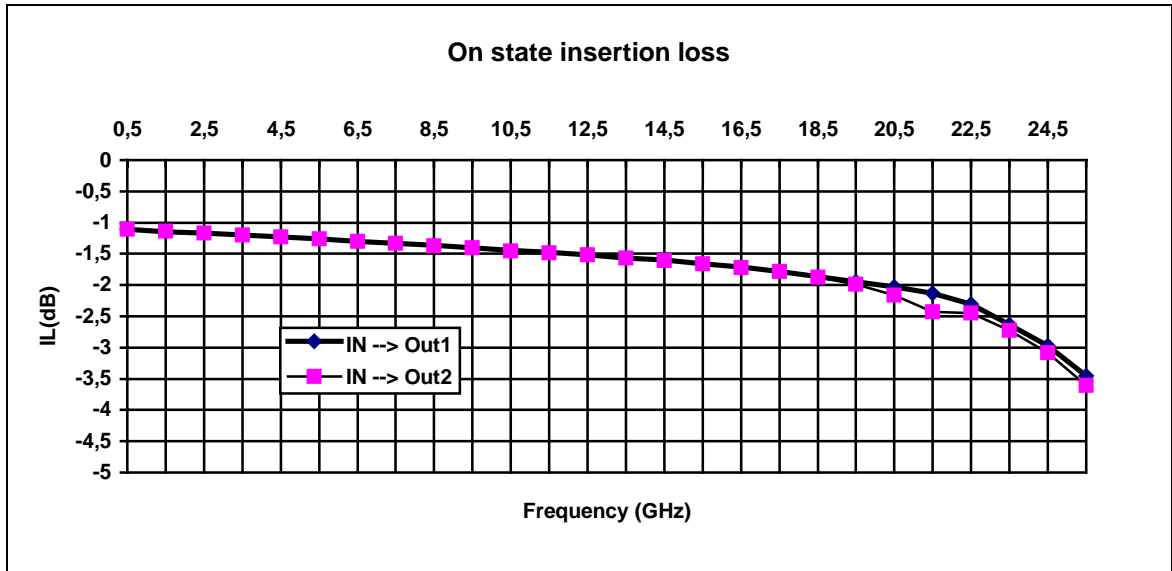
## Typical Scattering Parameters

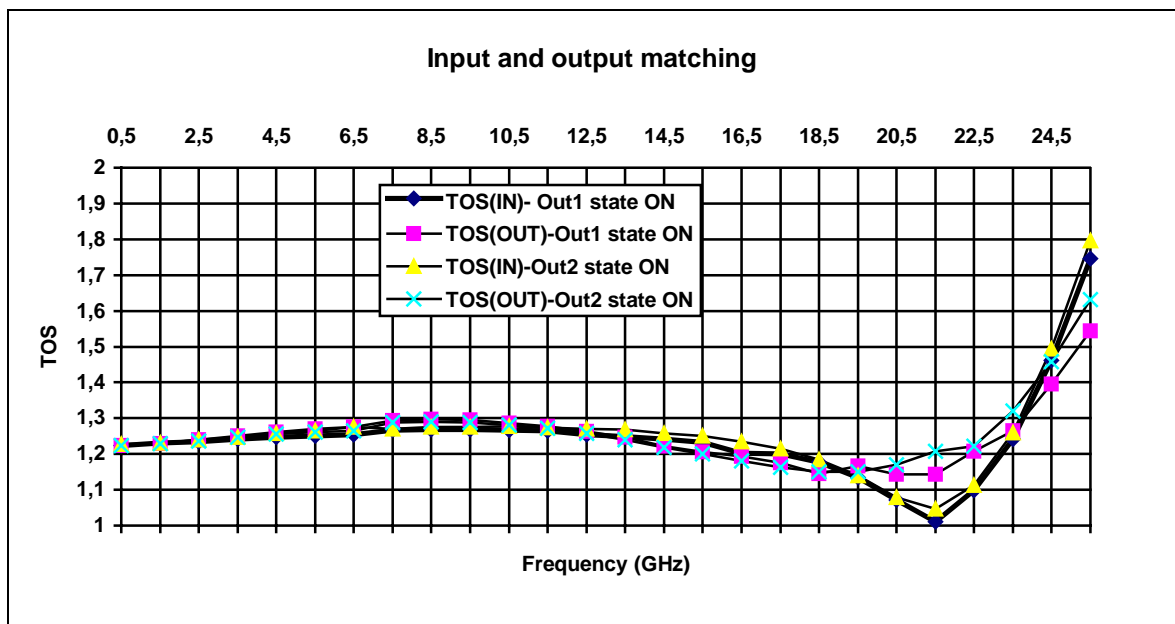
Tamb = +25°C, Bias Conditions : VL = -6V, VH = 0V, off-state IN-Out1 path

Freq. GHz	S11 dB	S11 /°	S12 dB	S12 /°	S21 dB	S21 /°	S22 dB	S22 /°
0.50	-18.28	2.8	-60.07	100.4	-62.13	82.9	-1.64	177.1
1.00	-17.46	-6.1	-52.95	85.5	-54.18	79.4	-1.66	175.3
1.50	-18.42	-30.5	-50.17	78.2	-49.95	76.6	-1.70	173.4
2.00	-17.00	-33.7	-47.30	71.7	-47.23	71.4	-1.74	171.4
2.50	-18.65	-43.5	-45.64	71.5	-45.87	67.7	-1.80	169.6
3.00	-19.40	-39.9	-44.56	63.7	-44.59	65.9	-1.85	167.7
3.50	-16.10	-53.3	-43.57	59.8	-43.48	61.0	-1.90	166.0
4.00	-17.52	-65.5	-42.76	54.3	-42.72	56.3	-1.95	164.1
4.50	-20.00	-85.2	-41.88	53.2	-41.87	51.5	-1.99	162.6
5.00	-18.14	-70.0	-40.89	50.3	-41.19	50.4	-2.05	160.8
5.50	-19.42	-83.4	-40.66	47.2	-40.67	47.4	-2.10	159.3
6.00	-18.43	-86.0	-40.18	44.0	-40.16	44.2	-2.14	157.5
6.50	-17.59	-76.1	-39.40	41.9	-39.44	42.2	-2.18	156.1
7.00	-18.33	-108.9	-39.34	39.4	-39.53	39.6	-2.17	153.9
7.50	-17.68	-115.8	-39.09	37.6	-38.91	36.0	-2.20	152.4
8.00	-22.95	-97.1	-38.53	38.5	-38.79	37.6	-2.23	150.6
8.50	-20.38	-105.2	-38.31	35.6	-38.16	34.2	-2.26	149.2
9.00	-17.48	-107.6	-37.71	32.3	-37.69	31.3	-2.29	147.5
9.50	-18.61	-116.2	-37.41	31.1	-37.43	30.3	-2.30	145.9
10.00	-20.56	-116.4	-37.08	29.7	-37.13	28.4	-2.34	144.1
10.50	-18.57	-111.6	-36.76	27.3	-36.83	27.3	-2.35	142.6
11.00	-16.32	-119.9	-36.27	25.9	-36.23	25.1	-2.38	141.0
11.50	-18.80	-130.9	-36.24	23.4	-36.26	22.2	-2.37	139.4
12.00	-16.65	-135.8	-35.73	21.5	-35.69	20.4	-2.40	137.8
12.50	-18.34	-147.2	-35.60	18.8	-35.68	19.7	-2.42	136.2
13.00	-23.83	-126.4	-35.47	19.6	-35.38	19.6	-2.44	134.6
13.50	-14.94	-132.1	-34.53	16.4	-34.62	16.6	-2.46	133.0
14.00	-17.12	-166.8	-34.51	14.1	-34.74	12.5	-2.49	131.4
14.50	-17.13	176.4	-34.60	13.8	-34.74	15.3	-2.48	129.5
15.00	-16.70	-131.4	-33.60	12.2	-33.74	12.0	-2.52	128.1
15.50	-17.75	-157.7	-33.51	8.6	-33.71	10.0	-2.51	126.3
16.00	-18.49	177.3	-33.18	4.5	-33.24	6.1	-2.54	124.8
16.50	-19.10	-177.5	-32.91	5.2	-32.66	3.7	-2.52	123.3
17.00	-37.58	165.7	-33.06	4.1	-32.88	4.4	-2.58	121.3
17.50	-21.78	-133.6	-32.09	3.4	-32.26	3.6	-2.59	119.9
18.00	-15.61	-168.0	-31.17	-2.6	-31.45	-2.6	-2.63	118.0
18.50	-21.68	113.7	-31.92	-6.6	-32.08	-7.0	-2.69	116.3
19.00	-42.95	175.9	-31.66	-4.9	-31.49	-4.6	-2.61	114.5
19.50	-27.64	-149.1	-31.10	-6.7	-31.03	-6.1	-2.61	113.6
20.00	-26.13	-24.4	-31.31	-7.2	-31.09	-7.5	-2.72	112.4
20.50	-21.30	-124.6	-30.11	-6.6	-30.11	-6.8	-2.68	109.3
21.00	-23.02	-162.6	-29.61	-8.0	-29.61	-7.6	-2.59	107.8
21.50	-26.02	54.4	-28.43	-7.5	-28.39	-7.6	-2.61	107.3
22.00	-30.85	-11.7	-26.93	-15.9	-26.97	-16.0	-2.82	104.3
22.50	-23.81	-46.8	-26.54	-23.0	-26.51	-22.8	-2.71	102.0
23.00	-20.26	-8.9	-26.28	-30.3	-26.28	-31.0	-2.65	100.2
23.50	-19.14	-64.5	-25.11	-31.2	-25.03	-31.1	-3.00	99.2
24.00	-21.68	-36.9	-24.32	-45.3	-24.34	-45.2	-2.96	97.8
24.50	-14.51	-18.5	-24.33	-58.0	-24.31	-57.9	-2.93	96.1
25.00	-14.74	-45.9	-24.38	-63.4	-24.39	-63.2	-3.02	95.2
25.50	-11.78	-45.7	-24.82	-74.5	-24.87	-74.1	-3.05	93.6

## Typical on Wafer [S] Parameters

Tamb = +25°C, Bias Conditions : VL= -6V, VH = 0V

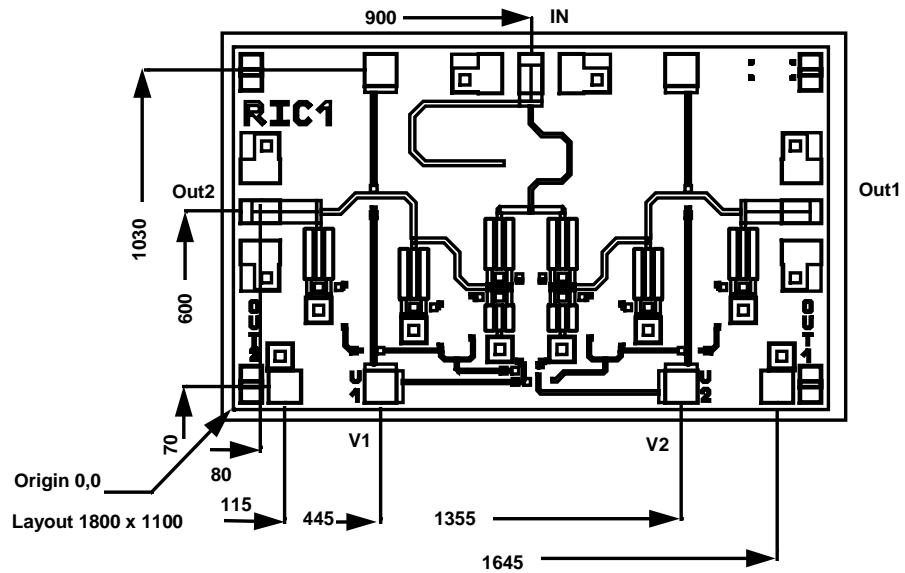




**Switch truth table (complementary logic)**

V1	V2	IN to Out1	IN to Out2
Low	High	On	Off
High	Low	Off	On

## Chip Mechanical Data



Dimensions ( $\mu\text{m}$ )		
+10		+10
1920	-100	x 1220 -100
	+10	
Thickness :	100	-10
HF pads :	120	x 80
DC pads :	100	x 100



## Ordering Information

Chip form: CHS5100-99F/00

Information furnished is believed to be accurate and reliable. However **United Monolithic Semiconductors S.A.S.** assumes no responsibility for the consequences of use of such information nor for any infringement of patents or other rights of third parties which may result from its use. No license is granted by implication or otherwise under any patent or patent rights of **United Monolithic Semiconductors S.A.S.** Specifications mentioned in this publication are subject to change without notice. This publication supersedes and replaces all information previously supplied. **United Monolithic Semiconductors S.A.S.** products are not authorised for use as critical components in life support devices or systems without express written approval from **United Monolithic Semiconductors S.A.S.**