



**SOT-23-3L Encapsulate Three Terminal Voltage Regulator**

**CJ79L09** Three-terminal negative voltage regulator

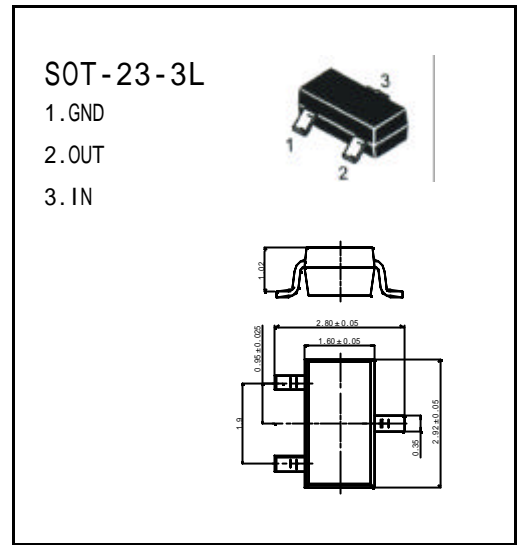
**FEATURES**

Maximum Output current

$I_{om}$ : 0.1 A

Output voltage

$V_o$ : -9V



**ABSOLUTE MAXIMUM RATINGS ( Operating temperature range applies unless otherwise specified )**

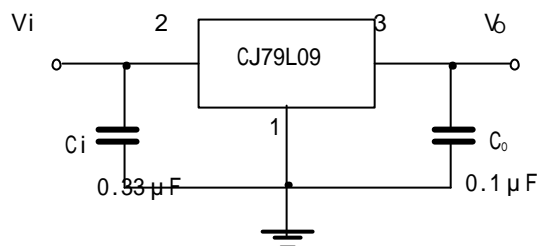
Parameter	Symbol	Value	Units
Input Voltage	$V_i$	-30	V
Operating Junction Temperature Range	$T_{OPR}$	0—+125	
Storage Temperature Range	$T_{STG}$	-55—+150	

**ELECTRICAL CHARACTERISTICS**

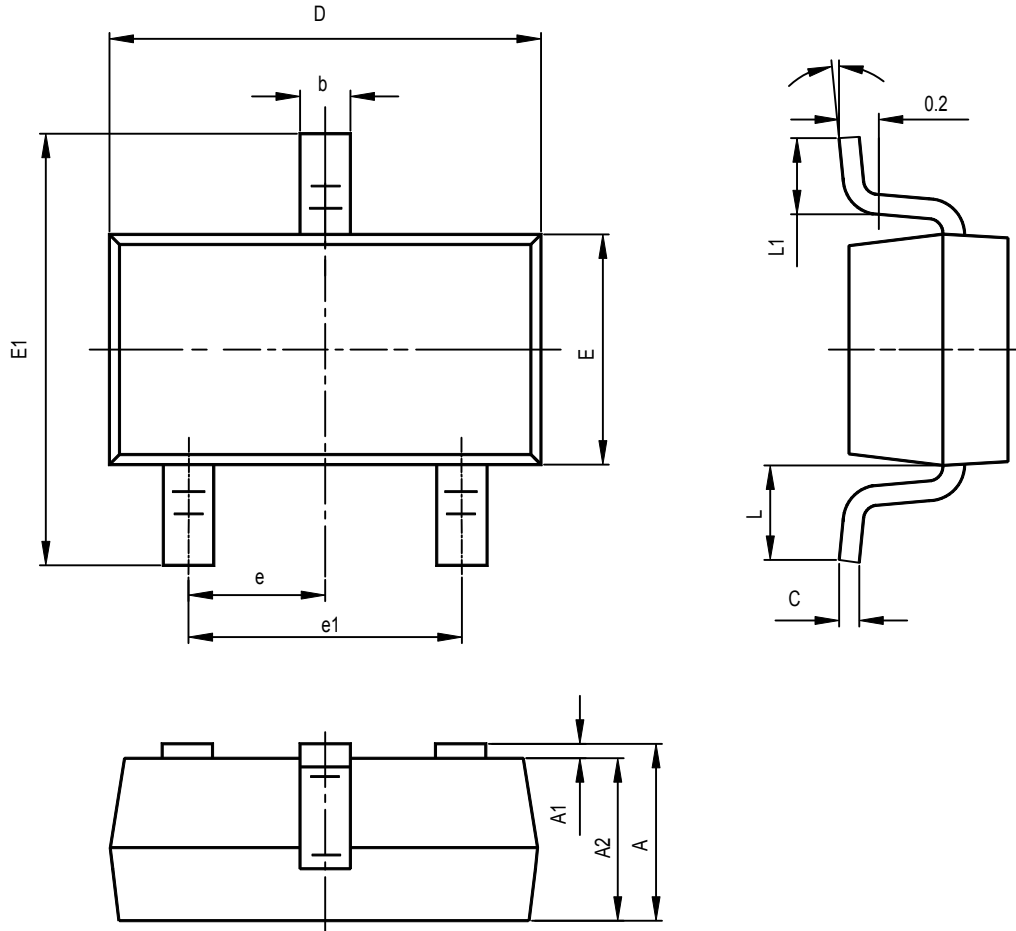
( $V_i=15V, I_o=40mA, 0 < T_j < 125$  ,  $C_1=0.33 \mu F, C_o=0.1 \mu F$  , unless otherwise specified )

Parameter	Symbol	Test conditions	MIN	TYP	MAX	UNIT
Output voltage	$V_o$	$V_i=-15V, I_o=40mA$	-8.64	-9	-9.36	V
Load Regulation	$V_o - I_o$	$V_i=-15V, I_o=1mA \sim 100mA$		12	90	mV
Line regulation	$V_o - V_i$	$V_i=-12.5V \sim -24V, I_o=40mA$		27	200	mV
Quiescent Current	$I_q$	$V_i=-15V, I_o=40mA$		3.5	6	mA
Output Noise Voltage	$V_N$	$B_w=10Hz \sim 100kHz, V_i=-15V, I_o=40mA$		210		$\mu V$
Ripple Rejection	RR	$V_i=-12V \sim -22V, I_o=40mA, e_i=1V_{P-P}, f=150Hz$	37	64		dB

**TYPICAL APPLICATION**



# SOT-23-3L PACKAGE OUTLINE DIMENSIONS



Symbol	Dimensions In Millimeters		Dimensions In Inches	
	Min	Max	Min	Max
A	1.050	1.250	0.041	0.049
A1	0.000	0.100	0.000	0.004
A2	1.050	1.150	0.041	0.045
b	0.300	0.400	0.012	0.016
c	0.100	0.200	0.004	0.008
D	2.820	3.020	0.111	0.119
E	1.500	1.700	0.059	0.067
E1	2.650	2.950	0.104	0.116
e	0.950TPY		0.037TPY	
e1	1.800	2.000	0.071	0.079
L	0.700REF		0.028REF	
L1	0.300	0.600	0.012	0.024
θ	0°	8°	0°	8°