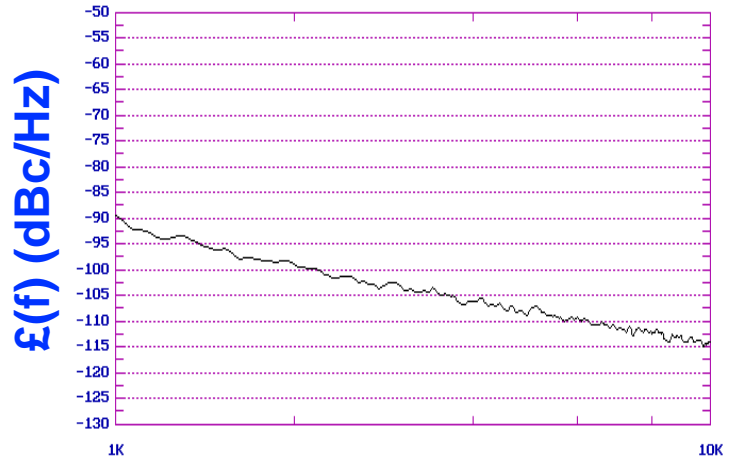




PHASE NOISE (1 Hz BW, typical)



FEATURES	
• Frequency Range:	936 - 953 MHz
• Tuning Voltage:	0.5-4.5 Vdc
• MINI-14S - Style Package	
APPLICATIONS	
• Digital Radios	
• Satellite Communications	
• Pager Basestations	

OFFSET (Hz)

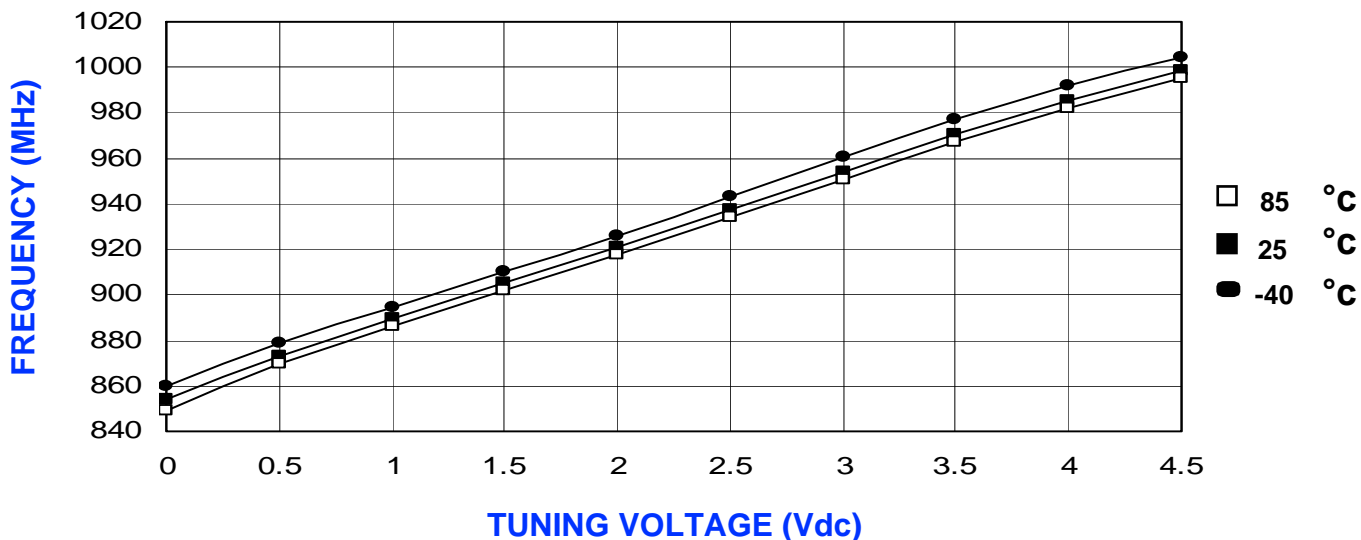
PERFORMANCE SPECIFICATIONS	VALUE	UNITS
Oscillation Frequency Range	936 - 953	MHz
Phase Noise @ 10 kHz offset (1 Hz BW, typ.)	-114	dBc/Hz
Harmonic Suppression (2nd, typ.)	-15	dBc
Tuning Voltage	0.5-4.5	Vdc
Tuning Sensitivity (avg.)	33	MHz/V
Power Output	3±2	dBm
Load Impedance	50	Ω
Input Capacitance (max.)	100	pF
Pushing	<5	MHz/V
Pulling (14 dB Return Loss, Any Phase)	<5	MHz
Operating Temperature Range	-40 to 85	°C
Package Style	MINI-14S	

POWER SUPPLY REQUIREMENTS		
Supply Voltage (Vcc, nom.)	4	Vdc
Supply Current (Icc, typ.)	7	mA

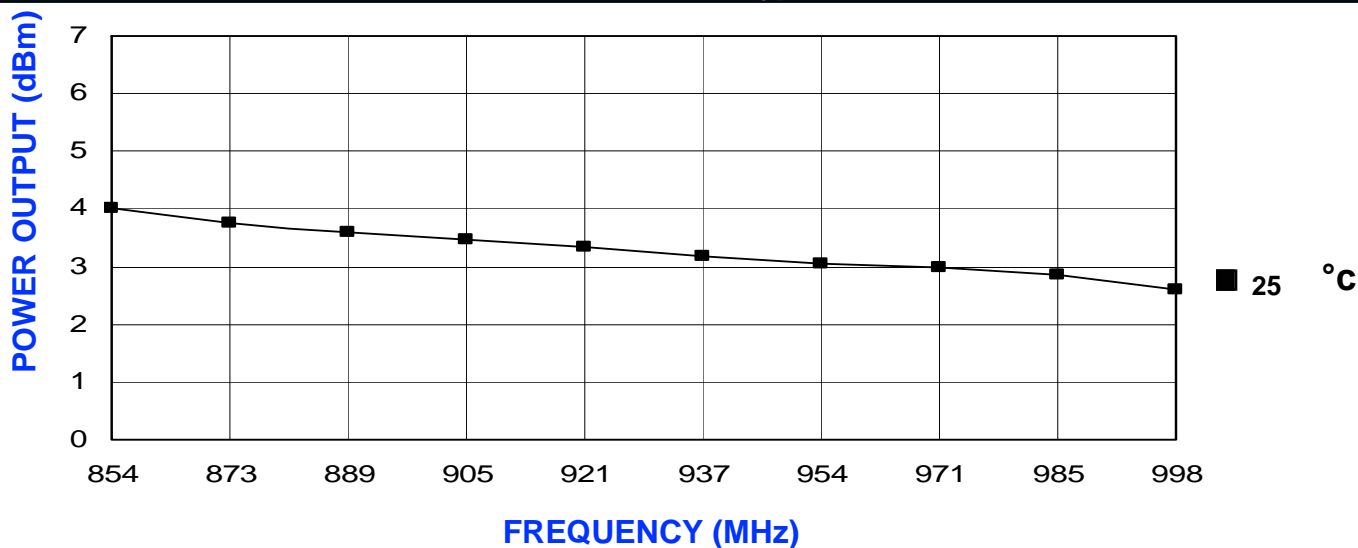
All specifications are typical unless otherwise noted and subject to change without notice.

APPLICATION NOTES	
• AN-100/1 : Mounting and Grounding of VCOs	
• AN-102 : Proper Output Loading of VCOs	
• AN-107 : How to Solder Z-COMM VCOs	
NOTES:	

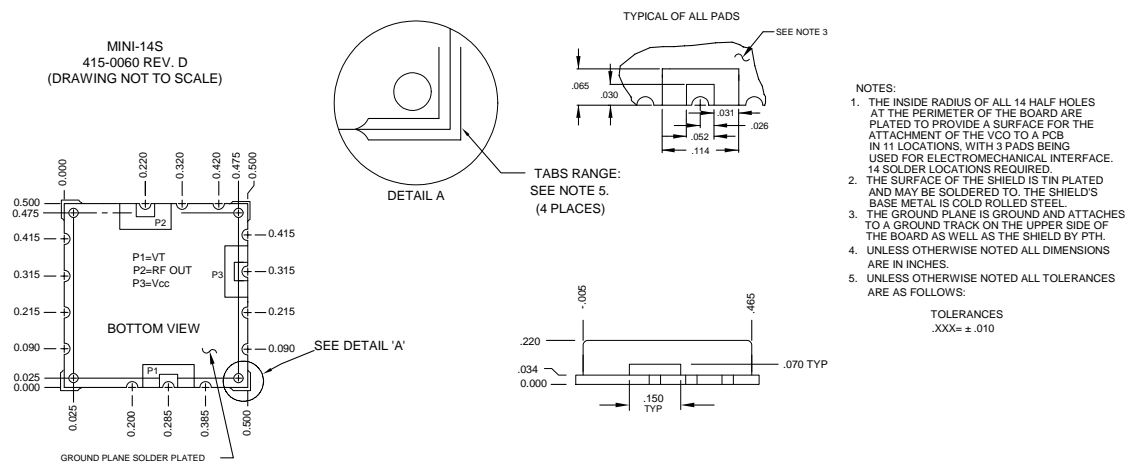
TUNING CURVE, typ.



POWER CURVE, typ.



PHYSICAL DIMENSIONS



- NOTES:**
1. THE INSIDE RADIUS OF ALL 14 HALF HOLES AT THE PERIMETER OF THE BOARD ARE PLATED TO PROVIDE A SURFACE FOR THE ATTACHMENT OF THE VCO TO A PCB IN 11 LOCATIONS, WITH 3 PADS BEING USED FOR ELECTROMECHANICAL INTERFACE. 14 SOLDER LOCATIONS REQUIRED.
 2. THE SURFACE OF THE SHIELD IS TIN PLATED AND MAY BE SOLDERED TO THE SHIELD'S BASE METAL IS COLD ROLLED STEEL.
 3. THE GROUND PLANE IS GROUND AND ATTACHES TO A GROUND TRACK ON THE UPPER SIDE OF THE BOARD AS WELL AS THE SHIELD BY PTH.
 4. UNLESS OTHERWISE NOTED ALL DIMENSIONS ARE IN INCHES.
 5. UNLESS OTHERWISE NOTED ALL TOLERANCES ARE AS FOLLOWS:

TOLERANCES
.XXX= ± .010