

## 1.0 Amp Dual Mode Low-Dropout CMOS Regulator

### Features

- Internally fixed or adjustable output modes
- 250mV dropout at 1.0A load current
- Operates from 1.7V to 5.5V input supply
- Low Ground current (330µA at 1.0A Load)
- Minimal output capacitance required
- Stable with low ESR ceramic output capacitors
- Current limit protection
- Thermal overload protection
- Reverse current protection in shutdown
- Thermally enhanced 8-lead SOIC package
- Lead-free version available

### Applications

- Low-voltage "Core" processors
- Set top boxes
- DVD players
- Personal video recorders
- Graphics Cards
- Gigabit NIC Cards
- PC Motherboards
- Notebooks

### Product Description

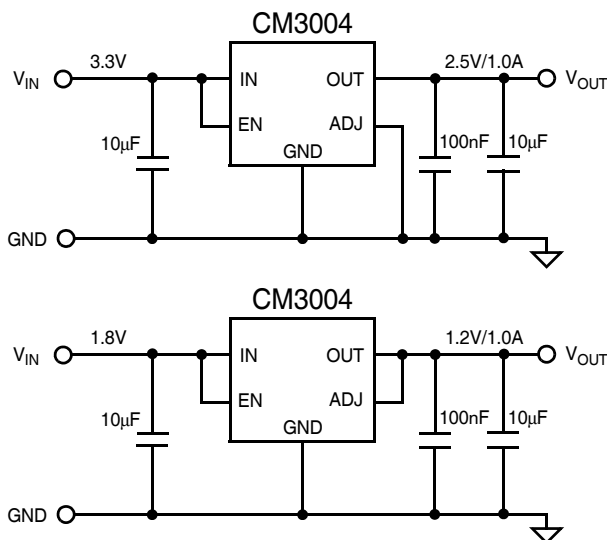
The CM3004 is a very-low-dropout regulator that offers both fixed output and fixed/adjustable operating modes. When the Adjust control pin (ADJ) is grounded, this device automatically enters a fixed voltage mode delivering 2.5V out at 1.0A. When the Adjust pin is connected to an external resistor network the device automatically operates as an adjustable regulator. The Adjust pin can also be tied directly to the OUT pin which configures the CM3004 as a 1.2V regulator.

An Enable control pin (EN) allows the device to be placed in a low-current mode.

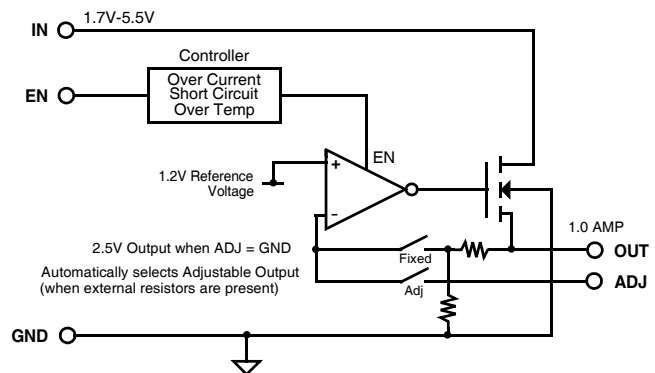
The CM3004 is fully protected, offering both overload current limiting, short-circuit protection and high-temperature thermal shutdown. The CM3004 also includes protection against output to input current flow while in shutdown.

The CM3004 is supplied in a space-saving, 8-lead power SOIC package which has been thermally enhanced via an integral leadframe to ensure maximum junction-to-ambient power dissipation. The CM3004 is also available with optional lead-free finishing.

### Typical Application Circuits

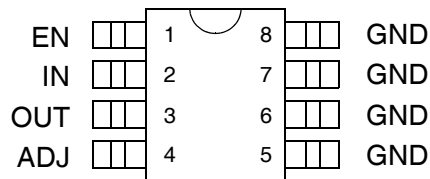


### Simplified Electrical Schematic



**PACKAGE / PINOUT DIAGRAM**

## TOP VIEW


**8-Lead Power SOIC**

Note: This drawing is not to scale.

**PIN DESCRIPTIONS**

LEAD(S)	NAME	DESCRIPTION
1	EN	Enable/shutdown input. When EN is asserted high ( $V_{EN} \geq 1.2V$ ), the regulator is enabled. When EN is asserted low ( $V_{EN} \leq 0.4V$ ), the regulator is shut down.
2	IN	Positive input voltage for the regulator. If this input pin is greater than 2 inches from the main input filter, a $10\mu F$ ceramic capacitor is recommended for adequate filtering.
3	OUT	The regulated voltage output. An output capacitor of $10\mu F$ is recommended to minimize any transient load disturbances under normal operating conditions. Additional output capacitance can be used to further improve transient load response.
4	ADJ	Feedback input. When ADJ is grounded, the device enters fixed voltage mode. When ADJ is connected to an external resistor network, the device operates as an adjustable regulator. The Adjust pin can also be tied directly to the OUT pin which configures the CM3004 as a 1.2V regulator.
5-8	GND	The negative reference for all voltages. Also functions as a thermal path for heat dissipation.

**Ordering Information**
**PART NUMBERING INFORMATION**

Leads	Package	Standard Finish		Lead-free Finish	
		Ordering Part Number <sup>1</sup>	Part Marking	Ordering Part Number <sup>1</sup>	Part Marking
8	SOIC-8	CM3004-25SA	CM3004 25SA	CM3004-25SF	CM3004 25SF

Note 1: Parts are shipped in Tape &amp; Reel form unless otherwise specified.

## Specifications

ABSOLUTE MAXIMUM RATINGS		
PARAMETER	RATING	UNITS
ESD Protection (HBM)	$\pm 2000$	V
Pin Voltages IN, OUT, ADJ, EN	[GND - 0.4] to +6.0	V
Storage Temperature Range	-40 to +150	°C
Operating Temperature Range Junction	-40 to +150	°C
Power Dissipation (See note 1)	Internally Limited	W

Note 1: The SOIC package used is thermally enhanced through the use of a fused integral leadframe. The power rating is based on a printed circuit board heat spreading capability equivalent to 2 square inches of copper connected to the GND pins. Typical multi-layer boards using power plane construction will provide this heat spreading ability without the need for additional dedicated copper area. (Please consult with factory for thermal evaluation assistance)

STANDARD OPERATING CONDITIONS		
PARAMETER	VALUE	UNITS
$V_{IN}$	1.7 to 5.5	V
Ambient Operating Temperature Range	-40 to +85	°C
Load Current	0 to 1000	mA
$C_{EXT}$	$10 \pm 20\%$	$\mu F$

**Specifications (cont'd)**

<b>ELECTRICAL OPERATING CHARACTERISTICS (SEE NOTE 1)</b>						
<b>SYMBOL</b>	<b>PARAMETER</b>	<b>CONDITIONS</b>	<b>MIN</b>	<b>TYP</b>	<b>MAX</b>	<b>UNITS</b>
$V_{OUT}$	Regulator Output Voltage	$0mA < I_{LOAD} < 1.0A, V_{IN}=3.3V, V_{ADJ}=0V$	2.40	2.50	2.60	V
		$0mA < I_{LOAD} < 1.0A, V_{IN}=1.8V, V_{ADJ}=V_{OUT}$	1.15	1.20	1.25	V
$I_{LIM}$	Overload Current Limit	$V_{IN}=3.3V, V_{OUT} = 2.5V$	2.2	3.0	3.8	A
$I_{SC}$	Short Circuit Current Limit	$V_{OUT} < 0.2V$	0.5	1.2	1.8	A
$V_{R\ LOAD}$	Load Regulation	$V_{IN}=3.3V, V_{OUT} = 2.5V, 100mA \leq I_{LOAD} \leq 1.0A$		5	20	mV
		$V_{IN}=1.8V, V_{OUT} = 1.2V, 100mA \leq I_{LOAD} \leq 1.0A$		5	20	mV
$V_{R\ LINE}$	Line Regulation	$3.0V \leq V_{IN} \leq 5.0V, V_{OUT} = 2.5V, I_{LOAD} = 5mA$		5	20	mV
		$1.7V \leq V_{IN} \leq 3.5V, V_{OUT} = 1.2V, I_{LOAD} = 5mA$		5	20	mV
$V_{DROPOUT}$	Dropout Voltage	$I_{LOAD} = 100mA$		25	45	mV
		$I_{LOAD} = 1.0A$		250	450	mV
$I_{GND}$	Ground Current	EN tied to GND, $V_{IN}=3.3V$		5	30	$\mu A$
		EN= $V_{IN}=3.3V, V_{OUT} = 2.5V, I_{LOAD}= 0mA$		325	500	$\mu A$
		EN= $V_{IN}=3.3V, V_{OUT} = 2.5V, I_{LOAD}= 1.0A$		330	550	$\mu A$
$I_{ROUT}$	Output Reverse Leakage	$V_{OUT}=3.3V; V_{IN} = 0V$		30	100	$\mu A$
$T_{DISABLE}$	Shutdown Temperature			160		$^{\circ}C$
$T_{HYST}$	Thermal Hysteresis			25		$^{\circ}C$

**Enable Pin Input**

$V_{EN\_TH}$	EN Input Threshold Voltage	Regulator Enabled	0.4	0.8	1.2	V
$I_{EN}$	Enable Input Leakage Current	$0V < V_{EN} < 5.5V$		0.1	5	$\mu A$

**Adjust Pin Input (output set by external resistors)**

$V_{ADJ\_TH}$	ADJ Input Threshold Voltage		0.1	0.2	0.3	V
$I_{ADJ}$	ADJ Input Leakage Current	$V_{ADJ} > 1.1V$		0.1	1	$\mu A$

Note 1: Operating Characteristics are over Standard Operating Conditions unless otherwise specified.

**Performance Information**

Typical DC Characteristics nominal conditions unless specified otherwise)

Nominal Conditions:  $C_{IN} = 10\mu F$ ,  $C_{OUT} = 10\mu F$

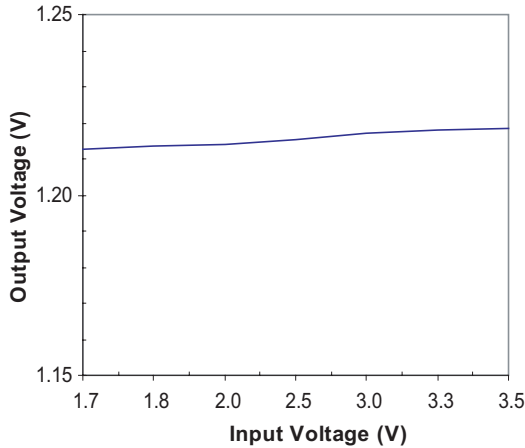


Figure 1. Line Regulation, ( $I_{LOAD} = 5mA$ )

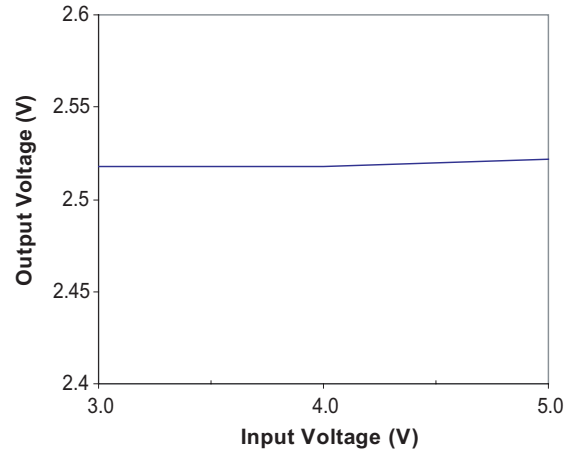


Figure 4. Line Regulation, ( $I_{LOAD} = 5mA$ )

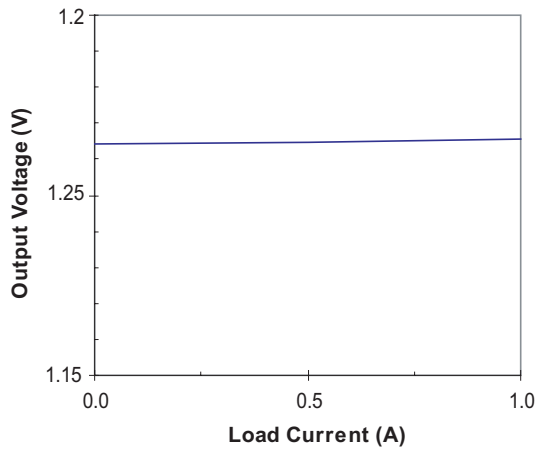


Figure 2. Load Regulation ( $V_{IN} = 1.8V$ )

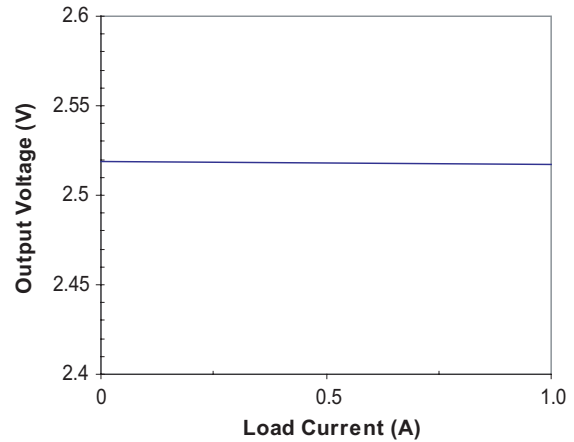


Figure 5. Load Regulation ( $V_{IN} = 3.3V$ )

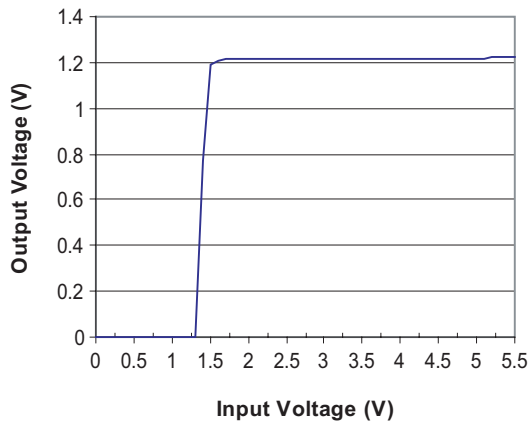


Figure 3. Operating Voltage Range ( $V_{OUT} = 1.2V$ )

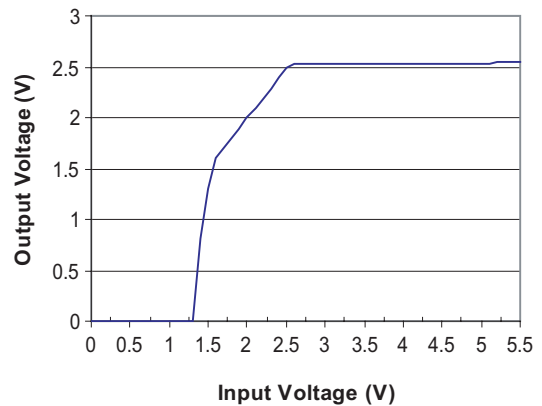
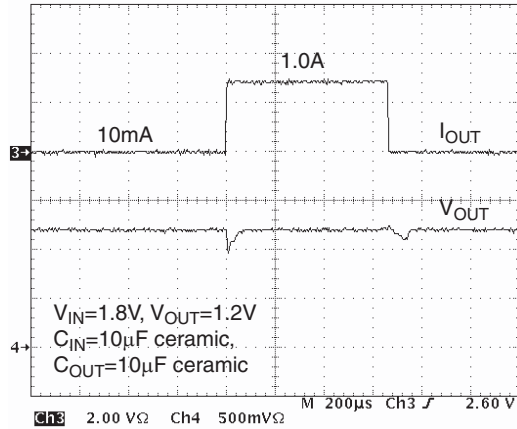


Figure 6. Operating Voltage Range ( $V_{OUT} = 2.5V$ )

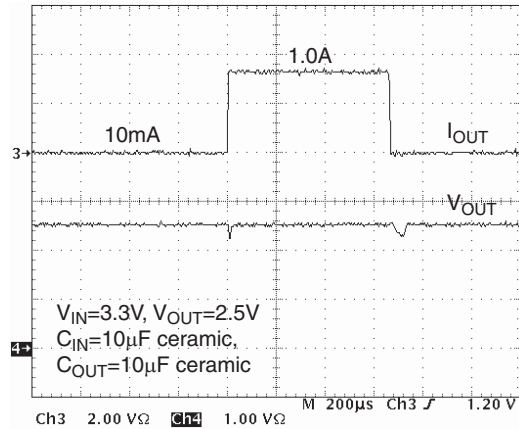
**Performance Information (cont'd)**

**Typical Transient Characteristics (nominal conditions unless specified otherwise)**

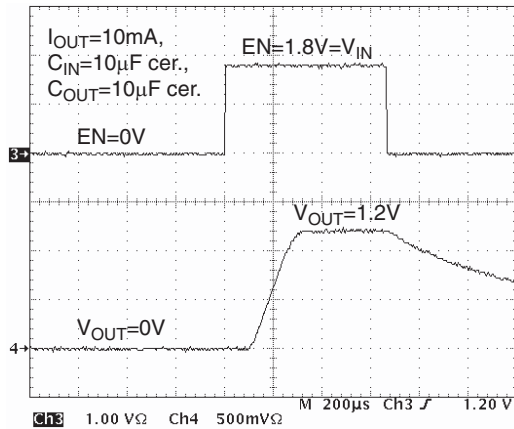
Nominal Conditions:  $C_{IN} = 10\mu\text{F}$ ,  $C_{OUT} = 10\mu\text{F}$



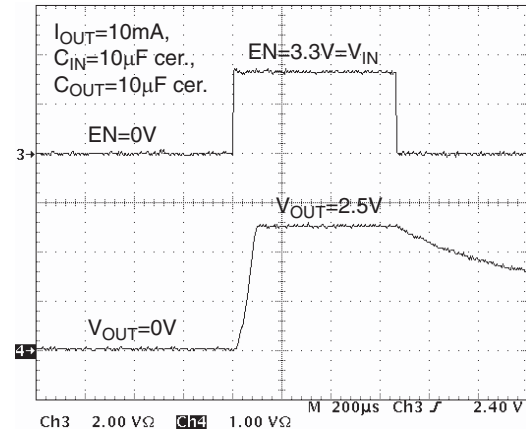
**Figure 7. Load Transient Step Response**



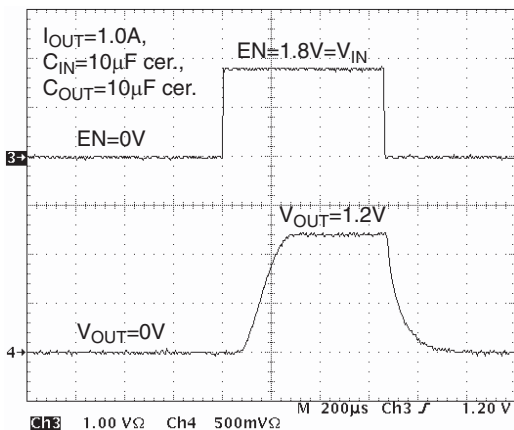
**Figure 10. Load Transient Step Response**



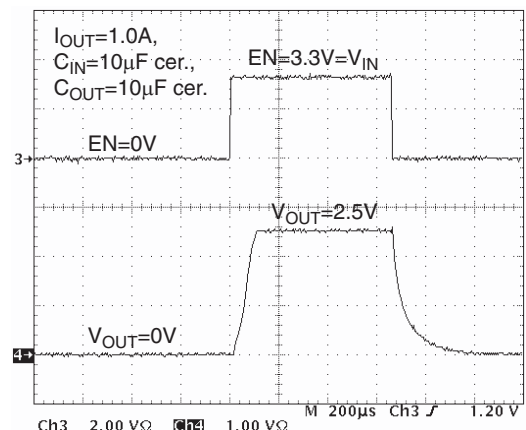
**Figure 8. Enable/Disable Response**



**Figure 11. Enable/Disable Response**



**Figure 9. Enable/Disable Response**



**Figure 12. Enable/Disable Response**

**Performance Information (cont'd)**

**CM3004 Typical Thermal Characteristics**

The overall junction to ambient thermal resistance ( $\theta_{JA}$ ) for device power dissipation (PD) consists primarily of two paths in series. The first path is the junction to the case ( $\theta_{JC}$ ) which is defined by the package style, and the second path is case to ambient ( $\theta_{CA}$ ) thermal resistance which is dependent on board layout. The final operating junction temperature for any set of conditions can be estimated by the following thermal equation:

$$T_{JUNC} = T_{AMB} + P_D (\theta_{JC}) + P_D (\theta_{CA})$$

$$= T_{AMB} + P_D (\theta_{JA})$$

The CM3004 uses a thermally enhanced package where all the GND pins (5 through 8) are integral to the leadframe. When this package is mounted on a double sided printed circuit board with two square inches of copper allocated for "heat spreading", the resulting  $\theta_{JA}$  is about 50°C/W.

Based on a typical operating power dissipation of 1.0W with an ambient of 85°C, the resulting junction temperature will be:

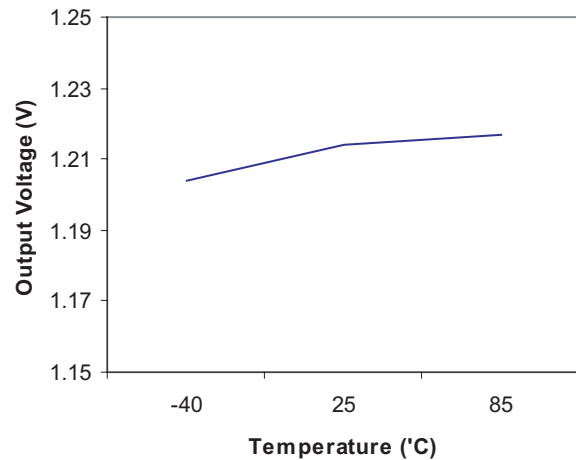
$$T_{JUNC} = T_{AMB} + P_D (\theta_{JA})$$

$$= 85^\circ\text{C} + 1.0\text{W} (50^\circ\text{C/W})$$

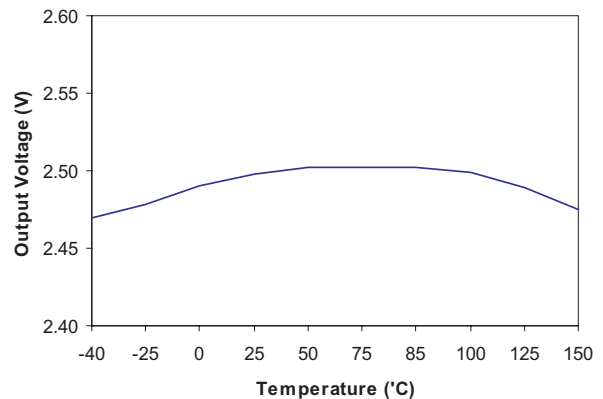
$$= 85^\circ\text{C} + 50^\circ\text{C} = 135^\circ\text{C}$$

Thermal characteristics were measured using a double sided board with two square inches of copper area connected to the GND pins for "heat spreading". Measurement was performed under light load conditions (5mA).

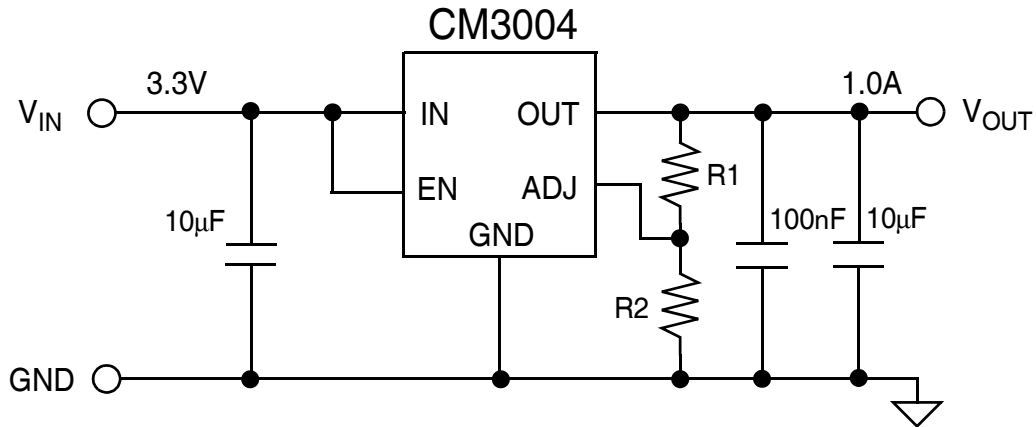
Temperature vs. Output Voltage (1.2V)



Temperature vs. Output Voltage (2.5V)



**Application Information**



**Figure 13. Application Circuit for Adjustable Output Operation.**

$$\text{Output Voltage} = 1.20 (R1+R2) / R2 \text{ [VOLTS]}$$



**Mechanical Details**

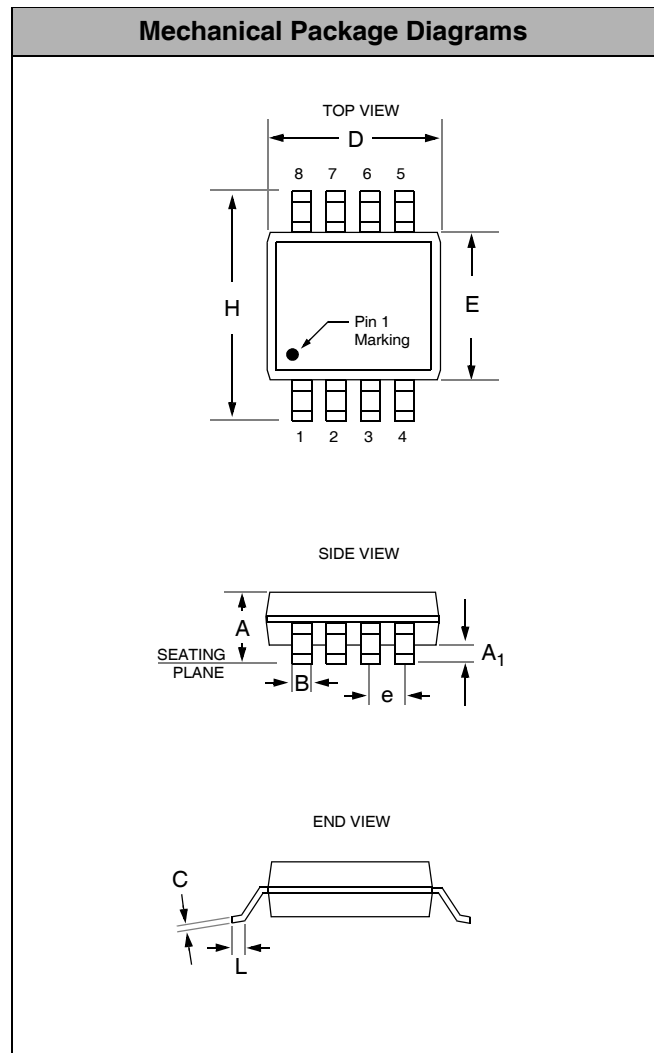
**SOIC-8 Mechanical Specifications**

Dimensions for the CM3004 supplied in an 8-lead SOIC package are presented below.

For complete information on the SOIC-8 package, see the California Micro Devices SOIC Package Information document.

PACKAGE DIMENSIONS				
Package	SOIC			
Lead	8			
Dimensions	Millimeters		Inches	
	Min	Max	Min	Max
A	1.35	1.75	0.053	0.069
A <sub>1</sub>	0.10	0.25	0.004	0.010
B	0.33	0.51	0.013	0.020
C	0.19	0.25	0.007	0.010
D	4.80	5.00	0.189	0.197
E	3.80	4.19	0.150	0.165
e	1.27 BSC		0.050 BSC	
H	5.80	6.20	0.228	0.244
L	0.40	1.27	0.016	0.050
# per tube	100 pieces*			
# per tape and reel	2500 pieces			
Controlling dimension: inches				

\* This is an approximate number which may vary.



**Package Dimensions for SOIC-8**