

# CM600DY-34H

HIGH POWER SWITCHING USE  
INSULATED TYPE

HVIGBT (High Voltage Insulated Gate Bipolar Transistor) Modules

## CM600DY-34H



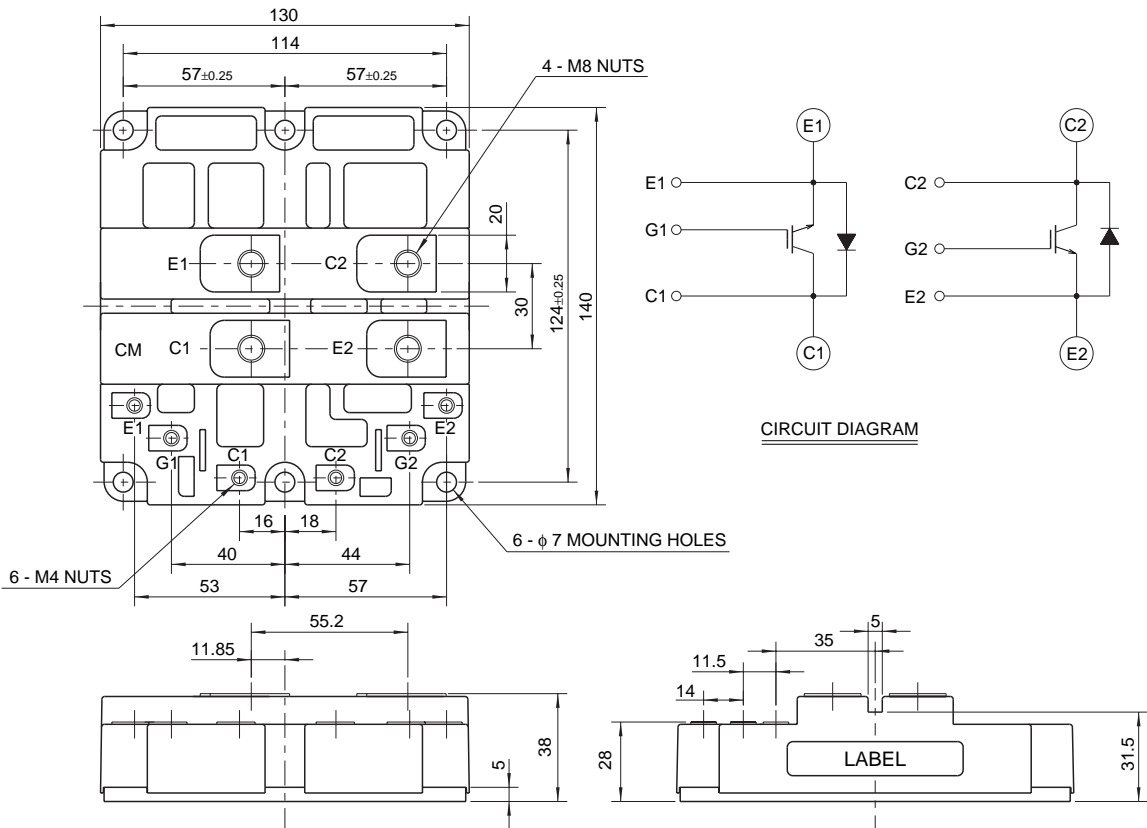
- IC ..... 600A
- VCES ..... 1700V
- Insulated Type
- 2-elements in a pack

## APPLICATION

Inverters, Converters, DC choppers, Induction heating, DC to DC converters.

## OUTLINE DRAWING & CIRCUIT DIAGRAM

Dimensions in mm



HVIGBT MODULES (High Voltage Insulated Gate Bipolar Transistor Modules)

**CM600DY-34H**

**HIGH POWER SWITCHING USE  
INSULATED TYPE**

HVIGBT (High Voltage Insulated Gate Bipolar Transistor) Modules

**MAXIMUM RATINGS (T<sub>j</sub> = 25°C)**

Symbol	Item	Conditions	Ratings	Unit
V <sub>CES</sub>	Collector-emitter voltage	V <sub>GE</sub> = 0V	1700	V
V <sub>GES</sub>	Gate-emitter voltage	V <sub>CE</sub> = 0V	±20	V
I <sub>C</sub>	Collector current	T <sub>C</sub> = 25°C	600	A
I <sub>CM</sub>		Pulse (Note 1)	1200	A
I <sub>E</sub> (Note 2)	Emitter current	T <sub>C</sub> = 25°C	600	A
I <sub>EM</sub> (Note 2)		Pulse (Note 1)	1200	A
P <sub>C</sub> (Note 3)	Maximum collector dissipation	T <sub>C</sub> = 25°C, IGBT part	6200	W
T <sub>j</sub>	Junction temperature	—	-40 ~ +150	°C
T <sub>stg</sub>	Storage temperature	—	-40 ~ +125	°C
V <sub>iso</sub>	Isolation voltage	Charged part to base plate, rms, sinusoidal, AC 60Hz 1min.	4000	V
—	Mounting torque	Main terminals screw M8	6.67 ~ 13.00	N·m
		Mounting screw M6	2.84 ~ 6.00	N·m
		Auxiliary terminals screw M4	0.88 ~ 2.00	N·m
—	Mass	Typical value	1.5	kg

**ELECTRICAL CHARACTERISTICS (T<sub>j</sub> = 25°C)**

Symbol	Item	Conditions	Limits			Unit
			Min	Typ	Max	
I <sub>CES</sub>	Collector cutoff current	V <sub>CE</sub> = V <sub>CES</sub> , V <sub>GE</sub> = 0V	—	—	12	mA
V <sub>GE(th)</sub>	Gate-emitter threshold voltage	I <sub>C</sub> = 60mA, V <sub>CE</sub> = 10V	4.5	5.5	6.5	V
I <sub>GES</sub>	Gate-leakage current	V <sub>GE</sub> = V <sub>GES</sub> , V <sub>CE</sub> = 0V	—	—	0.5	μA
V <sub>CE(sat)</sub>	Collector-emitter saturation voltage	T <sub>j</sub> = 25°C	—	2.75	3.58	V
		T <sub>j</sub> = 125°C	—	3.30	—	
C <sub>ies</sub>	Input capacitance	V <sub>CE</sub> = 10V V <sub>GE</sub> = 0V	—	70	—	nF
C <sub>oes</sub>	Output capacitance		—	10.0	—	nF
C <sub>res</sub>	Reverse transfer capacitance		—	3.8	—	nF
Q <sub>G</sub>	Total gate charge	V <sub>CC</sub> = 850V, I <sub>C</sub> = 600A, V <sub>GE</sub> = 15V	—	3.3	—	μC
t <sub>d (on)</sub>	Turn-on delay time	V <sub>CC</sub> = 850V, I <sub>C</sub> = 600A	—	—	1.20	μs
t <sub>r</sub>	Turn-on rise time	V <sub>GE1</sub> = V <sub>GE2</sub> = 15V	—	—	1.50	μs
t <sub>d (off)</sub>	Turn-off delay time	R <sub>G</sub> = 3.3Ω	—	—	2.00	μs
t <sub>f</sub>	Turn-off fall time	Resistive load switching operation	—	—	0.60	μs
V <sub>EC</sub> (Note 2)	Emitter-collector voltage	I <sub>E</sub> = 600A, V <sub>GE</sub> = 0V	—	2.40	3.12	V
t <sub>rr</sub> (Note 2)	Reverse recovery time	I <sub>E</sub> = 600A	—	—	2.00	μs
Q <sub>rr</sub> (Note 2)	Reverse recovery charge	die / dt = -1200A / μs	—	100	—	μC
R <sub>th(j-c)Q</sub>	Thermal resistance	Junction to case, IGBT part (Per 1/2 module)	—	—	0.020	K/W
R <sub>th(j-c)R</sub>		Junction to case, FWDi part (Per 1/2 module)	—	—	0.064	K/W
R <sub>th(c-f)</sub>	Contact thermal resistance	Case to fin, conductive grease applied (Per 1/2 module)	—	0.016	—	K/W

- Note 1. Pulse width and repetition rate should be such that the device junction temp. (T<sub>j</sub>) does not exceed T<sub>jmax</sub> rating.  
 2. I<sub>E</sub>, V<sub>EC</sub>, t<sub>rr</sub>, Q<sub>rr</sub> & die/dt represent characteristics of the anti-parallel, emitter to collector free-wheel diode.  
 3. Junction temperature (T<sub>j</sub>) should not increase beyond 150°C.  
 4. Pulse width and repetition rate should be such as to cause negligible temperature rise.

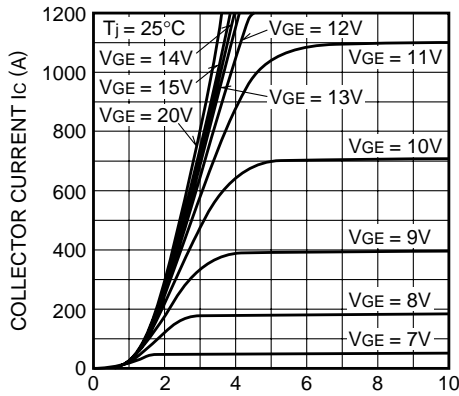
# CM600DY-34H

HIGH POWER SWITCHING USE  
INSULATED TYPE

HVIGBT (High Voltage Insulated Gate Bipolar Transistor) Modules

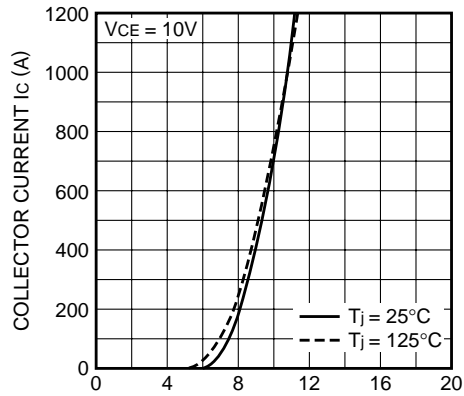
## PERFORMANCE CURVES

**OUTPUT CHARACTERISTICS (TYPICAL)**



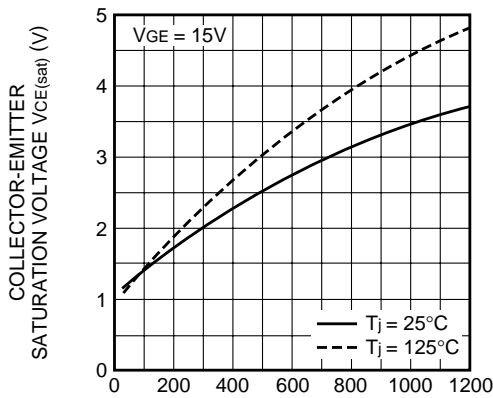
COLLECTOR-EMITTER SATURATION VOLTAGE  $V_{ce(sat)}$  (V)

**TRANSFER CHARACTERISTICS (TYPICAL)**



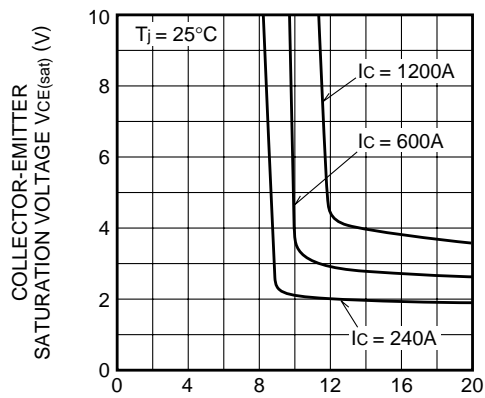
GATE-EMITTER VOLTAGE  $V_{GE}$  (V)

**COLLECTOR-EMITTER SATURATION VOLTAGE CHARACTERISTICS (TYPICAL)**



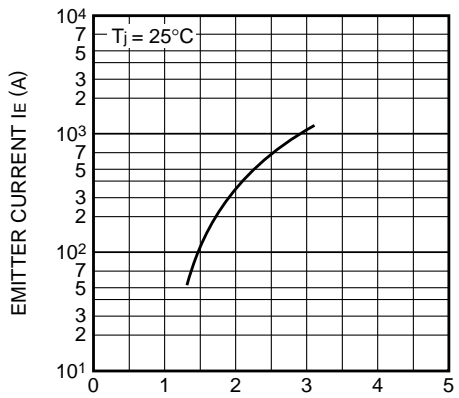
COLLECTOR CURRENT  $I_c$  (A)

**COLLECTOR-EMITTER SATURATION VOLTAGE CHARACTERISTICS (TYPICAL)**



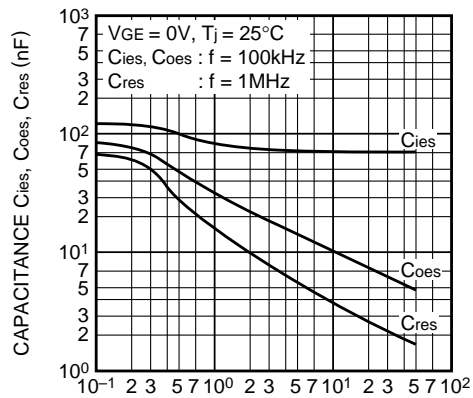
GATE-EMITTER VOLTAGE  $V_{GE}$  (V)

**FREE-WHEEL DIODE FORWARD CHARACTERISTICS (TYPICAL)**



EMITTER-COLLECTOR VOLTAGE  $V_{EC}$  (V)

**CAPACITANCE VS.  $V_{CE}$  (TYPICAL)**



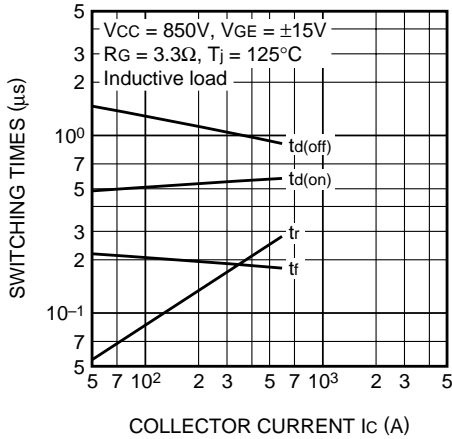
COLLECTOR-EMITTER VOLTAGE  $V_{CE}$  (V)

# CM600DY-34H

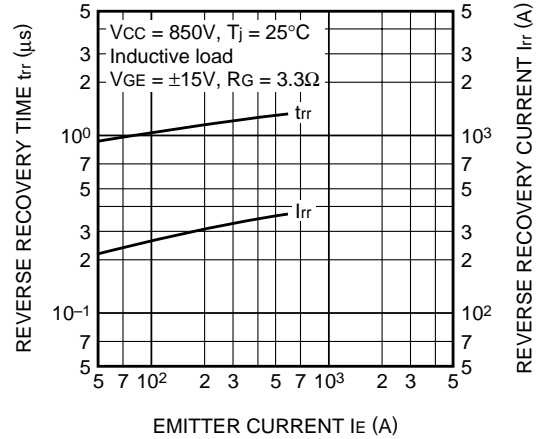
HIGH POWER SWITCHING USE  
INSULATED TYPE

HVIGBT (High Voltage Insulated Gate Bipolar Transistor) Modules

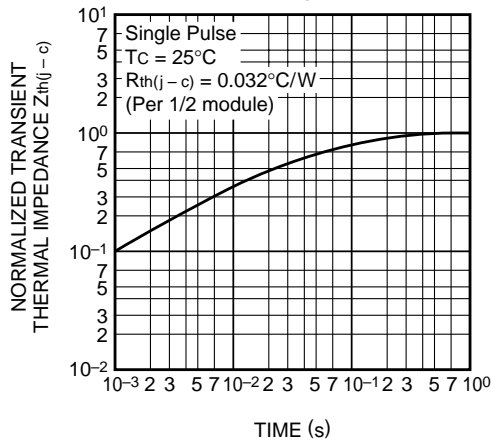
**HALF-BRIDGE  
SWITCHING CHARACTERISTICS  
(TYPICAL)**



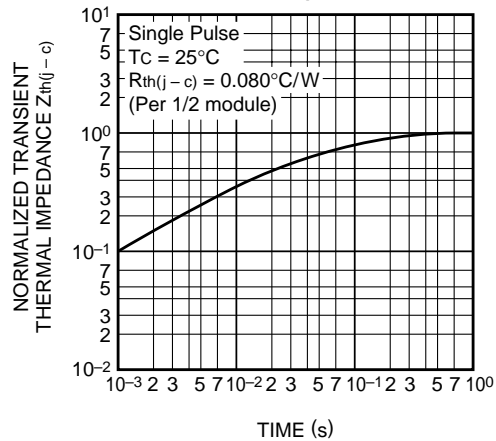
**REVERSE RECOVERY CHARACTERISTICS  
OF FREE-WHEEL DIODE  
(TYPICAL)**



**TRANSIENT THERMAL  
IMPEDANCE CHARACTERISTICS  
(IGBT part)**



**TRANSIENT THERMAL  
IMPEDANCE CHARACTERISTICS  
(FWDi part)**



**$V_{GE}$  - GATE CHARGE  
(TYPICAL)**

