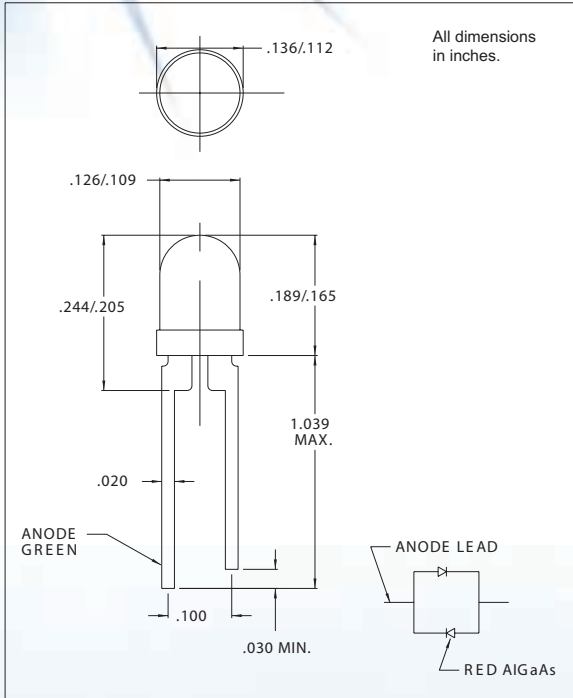


T-100 (T-1) Bi-Color/Bi-Polar LED Lamps
DESCRIPTION AND FEATURES



The CMD6461 is a white diffused wide view angle dual chip, four-state lamp utilizing deep red AlGaAs and High Efficiency Green GaP. When AC driven, the lamp appears orange. The CMD6661 is a red diffused wide view angle bi-polar lamp featuring red AlGaAs and GaAsP/GaP technology. These lamps provide excellent uniformity and visual appeal. Additionally, these lamps incorporate radically improved die off-center characteristics and improved durability to soldering heat.

ELECTRO-OPTICAL CHARACTERISTICS AND RATINGS

| PART NUMBER | CMD6461 | | CMD6661 | |
|--|-------------|-------------|-------------|-------------|
| | Red | H.E.Green | Red | H.E.Red |
| Output Color | Red | H.E.Green | Red | H.E.Red |
| Diffusion | Diffused | Diffused | Diffused | Diffused |
| Package Color | White | White | Red | Red |
| Test Current (mA) | 20 | 20 | 20 | 20 |
| Forward Voltage Typ. (V) | 2.1 | 2.1 | 2.1 | 2.1 |
| Forward Voltage Max. (V) | 3.0 | 3.0 | 3.0 | 3.0 |
| Luminous Intensity Min. (mcd) | 2.5 | 2.5 | 2.5 | 2.5 |
| Luminous Intensity Typ. (mcd) | 10 | 10 | 10 | 10 |
| Luminous Intensity Max. (mcd) | - | - | - | - |
| Peak Wavelength (nm) | 650 | 567 | 650 | 630 |
| Viewing Angle (degrees) | 100 | 100 | 100 | 100 |
| Power Dissipation (mW) | 135 | 135 | 135 | 135 |
| Operating Temperature (°C) | -55 to +100 | -55 to +100 | -55 to +100 | -55 to +100 |
| Storage Temperature (°C) | -55 to +100 | -55 to +100 | -55 to +100 | -55 to +100 |
| Peak Forward Current Max. (1µs @ 0.3% duty cycle) (mA) | 90 | 90 | 90 | 90 |
| Reverse Voltage (IR=100µA) (V) | 5 | 5 | 5 | 5 |
| Lead Solder Time @ 260°C | 5 | 5 | 5 | 5 |