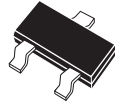


**CMPZDC2V4
THRU
CMPZDC47V**

**DUAL ZENER DIODE
2.4 VOLTS THRU 47 VOLTS
350mW**



SOT-23 CASE

Central™

Semiconductor Corp.

DESCRIPTION:

The CENTRAL SEMICONDUCTOR CMPZDC2V4 Series silicon dual zener diode is a highly quality voltage regulator, connected in a common cathode configuration, for use in industrial, commercial, entertainment and computer applications.

MARKING CODE: See Marking Codes on Electrical Characteristics table.

MAXIMUM RATINGS: ($T_A=25^\circ\text{C}$)

Power Dissipation
Operating and Storage Temperature
Thermal Resistance

SYMBOL		UNITS
P_D	350	mW
T_J, T_{stg}	-65 TO +150	$^\circ\text{C}$
Θ_{JA}	357	$^\circ\text{C/W}$

ELECTRICAL CHARACTERISTICS: ($T_A=25^\circ\text{C}$) $V_F=0.9\text{V MAX @ } I_F=10\text{mA}$ FOR ALL TYPES.

TYPE NO.	ZENER VOLTAGE $V_Z @ I_{ZT}$		TEST CURRENT	MAXIMUM ZENER IMPEDANCE			MAXIMUM REVERSE CURRENT		MAXIMUM ZENER CURRENT	MAXIMUM ZENER VOLTAGE TEMP. COEFF.	MARKING CODE
	MIN	MAX		I_{ZT}	$Z_{ZT} @ I_{ZT}$		$I_R @ V_R$				
	VOLTS	VOLTS	Ω		Ω	mA	μA	VOLTS	mA	% / $^\circ\text{C}$	
CMPZDC2V4*	2.2	2.6	5.0	100	600	1.0	50	1.0	63	-0.06	CCW3
CMPZDC2V7*	2.5	2.9	5.0	100	600	1.0	20	1.0	57	-0.06	CCW4
CMPZDC3V0*	2.8	3.2	5.0	95	600	1.0	10	1.0	54	-0.06	CCW5
CMPZDC3V3*	3.1	3.5	5.0	95	600	1.0	5.0	1.0	47	-0.06	CCW6
CMPZDC3V6*	3.4	3.8	5.0	95	600	1.0	2.0	1.0	45	-0.06	CCW7
CMPZDC3V9*	3.7	4.1	5.0	90	600	1.0	2.0	1.0	43	-0.06	CCW8
CMPZDC4V3*	4.0	4.6	5.0	90	600	1.0	1.0	1.0	40	-0.05	CCW9
CMPZDC4V7*	4.4	5.0	5.0	80	500	1.0	3.0	2.0	38	-0.03	CCZ1
CMPZDC5V1*	4.8	5.4	5.0	60	480	1.0	2.0	2.0	35	0.02	CCZ2
CMPZDC5V6*	5.2	6.0	5.0	40	400	1.0	1.0	2.0	32	0.03	CCZ3
CMPZDC6V2*	5.8	6.6	5.0	10	150	1.0	3.0	4.0	28	0.04	CCZ4
CMPZDC6V8*	6.5	7.2	5.0	15	80	1.0	2.0	4.0	25	0.05	CCZ5
CMPZDC7V5*	7.0	7.9	5.0	15	80	1.0	1.0	5.0	23	0.05	CCZ6
CMPZDC8V2*	7.7	8.7	5.0	15	80	1.0	0.7	5.0	21	0.06	CCZ7
CMPZDC9V1*	8.5	9.6	5.0	15	100	1.0	0.5	6.0	18	0.06	CCZ8
CMPZDC10V*	9.4	10.6	5.0	20	150	1.0	0.2	7.0	16	0.07	CCZ9
CMPZDC11V*	10.4	11.6	5.0	20	150	1.0	0.1	8.0	15	0.07	CCY1
CMPZDC12V*	11.4	12.7	5.0	25	150	1.0	0.1	8.0	13	0.07	CCY2
CMPZDC13V*	12.4	14.1	5.0	30	170	1.0	0.1	8.0	12	0.08	CCY3
CMPZDC15V*	13.8	15.6	5.0	30	200	1.0	0.05	10.5	11	0.08	CCY4
CMPZDC16V*	15.3	17.1	5.0	40	200	1.0	0.05	11.2	10	0.08	CCY5
CMPZDC18V*	16.8	19.1	5.0	45	225	1.0	0.05	12.6	9.2	0.08	CCY6
CMPZDC20V*	18.8	21.2	5.0	55	225	1.0	0.05	14.0	8.3	0.08	CCY7
CMPZDC22V*	20.8	23.3	5.0	55	250	1.0	0.05	15.4	7.6	0.09	CCY8

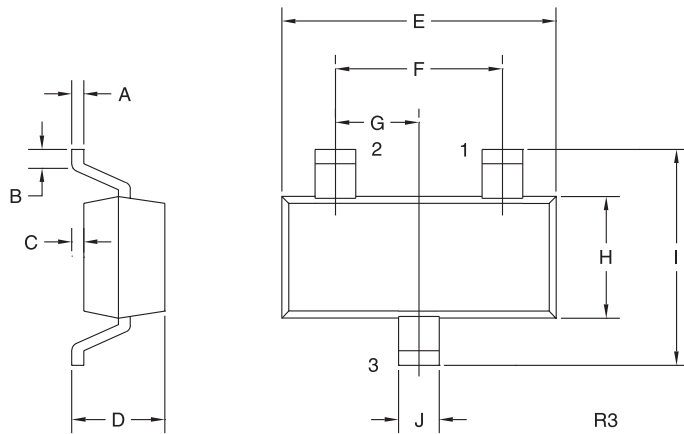
* Available on special order only, consult factory

ELECTRICAL CHARACTERISTICS (Continued)

TYPE NO.	ZENER VOLTAGE		TEST CURRENT	MAXIMUM ZENER IMPEDANCE			MAXIMUM REVERSE CURRENT		MAXIMUM ZENER CURRENT	MAXIMUM ZENER VOLTAGE TEMP. COEFF.	MARKING CODE
	$V_Z @ I_{ZT}$			$Z_{ZT} @ I_{ZT}$	$Z_{ZK} @ I_{ZK}$		$I_R @ V_R$				
	MIN VOLTS	MAX VOLTS	I_{ZT} mA		Ω	Ω	mA	μA	VOLTS	I_{ZM} mA	
CMPZDC24V*	22.8	25.6	5.0	70	250	1.0	0.05	16.8	7.0	0.09	CCY9
CMPZDC27V	25.1	28.9	2.0	80	300	0.5	0.05	18.9	6.2	0.09	CC10
CMPZDC30V*	28.0	32.0	2.0	80	300	0.5	0.05	21.0	5.6	0.09	CC11
CMPZDC33V*	31.0	35.0	2.0	80	325	0.5	0.05	23.1	5.0	0.09	CC12
CMPZDC36V*	34.0	38.0	2.0	90	350	0.5	0.05	25.2	4.6	0.09	CC13
CMPZDC39V*	37.0	41.0	2.0	130	350	0.5	0.05	27.3	4.3	0.09	CC14
CMPZDC43V*	40.0	46.0	2.0	150	375	0.5	0.05	30.1	3.9	0.10	CC15
CMPZDC47V*	44.0	50.0	2.0	170	375	0.5	0.05	32.9	3.5	0.10	CC16

* Available on special order only, consult factory

SOT-23 CASE - MECHANICAL OUTLINE

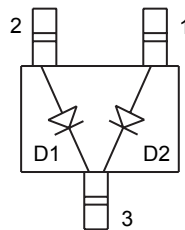


SYMBOL	DIMENSIONS			
	INCHES		MILLIMETERS	
A	0.003	0.007	0.08	0.18
B	0.006	-	0.15	-
C	-	0.005	-	0.13
D	0.035	0.043	0.89	1.09
E	0.110	0.120	2.80	3.05
F	0.075		1.90	
G	0.037		0.95	
H	0.047	0.055	1.19	1.40
I	0.083	0.098	2.10	2.49
J	0.014	0.020	0.35	0.50

SOT-23 (REV: R3)

LEAD CODE:

- 1) Anode D2
- 2) Anode D1
- 3) Cathode D1, D2



MARKING CODE: See Marking Codes on Electrical Characteristics table.