

NEW CSMH3-20L
CSMH3-40L

**LOW FORWARD VOLTAGE
SCHOTTKY BARRIER RECTIFIER
3.0 AMP, 20 AND 40 VOLTS**

**LOW
V_F**



SMC CASE

FEATURES:

- LOW FORWARD VOLTAGE DROP
- FLAMMABILITY CLASSIFICATION UL94V-0
- HIGH CURRENT CAPABILITY
- SUPERIOR LOT TO LOT CONSISTENCY
- LOW COST
- "C" BEND CONSTRUCTION PROVIDES STRAIN RELIEF WHEN MOUNTED ON PC BOARD
- HIGH RELIABILITY

DESCRIPTION:

The CENTRAL SEMICONDUCTOR 3.0 Amp Surface Mount Low V_F Schottky Rectifier is a high quality, well constructed, highly reliable component designed for use in all types of commercial, industrial, entertainment, computer, and automotive applications where high efficiency is required. To order devices on 12mm Tape and Reel (3000/13" Reel), add TR13 suffix to part number.

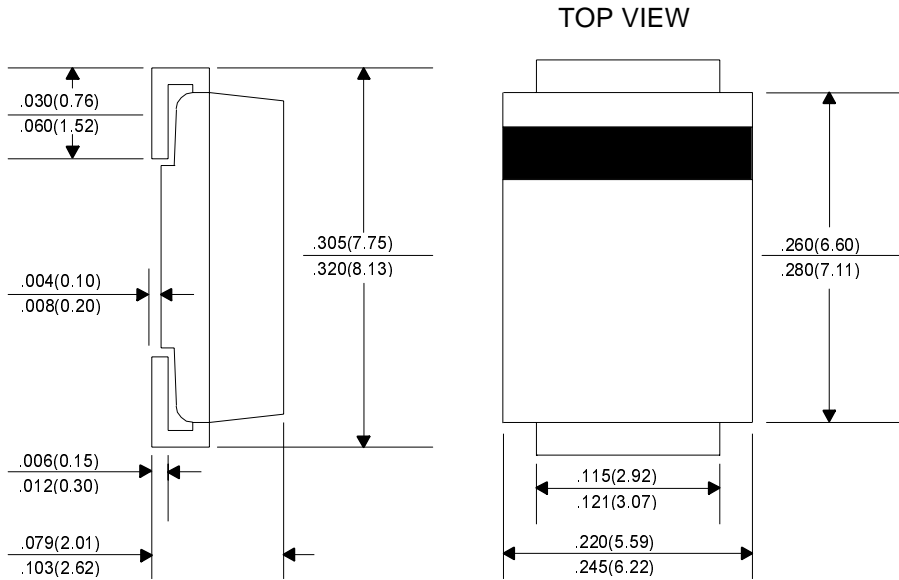
MAXIMUM RATINGS: (T_A=25°C unless otherwise noted)

	SYMBOL	CSMH3-20L	CSMH3-40L	UNITS
Peak Repetitive Reverse Voltage	V _{RRM}	20	40	V
DC Blocking Voltage	V _R	20	40	V
RMS Reverse Voltage	V _R (RMS)	14	28	V
Average Forward Current (T _L =75°C)	I _O		3.0	A
Peak Forward Surge Current (8.3ms)	I _{FSM}		100	A
Operating and Storage				
Junction Temperature	T _J , T _{stg}		-65 to +150	°C
Thermal Resistance	θ _{JL}		10	°C/W

ELECTRICAL CHARACTERISTICS: (T_A=25°C unless otherwise noted)

SYMBOL	TEST CONDITIONS	MIN	TYP	MAX	UNITS
I _R	V _R =Rated V _{RRM}			0.50	mA
I _R	V _R =Rated V _{RRM} , T _A =100°C			20	mA
V _F	I _F =3.0A (CSMH3-20L)			0.38	V
V _F	I _F =3.0A (CSMH3-40L)			0.40	V
C _J	V _R =4.0V, f=1.0MHz		260		pF

All Dimensions in Inches (mm)



Marking Codes:

DEVICE	MARKING CODE
CMSH3-20L	CS320L
CMSH3-40L	CS340L