

COP840CJ/COP842CJ/COP940CJ/COP942CJ

8-Bit Microcontrollers with Multi-Input Wake-Up and Brown Out Detector

General Description

The COP840CJ is a member of the COP8™ feature family 8-bit microcontroller. It is a fully static Microcontroller, fabricated using double-metal silicon gate microCMOS technology. This low cost microcontroller is a complete microcomputer containing all system timing, interrupt logic, ROM, RAM, and I/O necessary to implement dedicated control functions in a variety of applications. Features include an 8-bit memory mapped architecture, MICROWIRE™ serial I/O, a 16-bit timer/counter with capture register, a multi-sourced interrupt, Comparator, WATCHDOG™ Timer, Modulator/Timer, Brown out detection and Multi Input Wake-up. Each I/O pin has software selectable options to adapt the device to the specific application. The device operates over a voltage range of 2.5V–6.0V. High throughput is achieved with an efficient, regular instruction set operating at a 1 ms per instruction rate. Low radiated emissions are achieved by gradual turn on output drivers and internal I_{CC} filters on the chip logic and crystal oscillator.

Features

- Multi-Input wake-up (on the 8-bit Port L)
- Brown out detection
- Analog comparator
- Modulator/Timer (high speed PWM timer for IR transmission)
- 16-bit multi-function timer supporting
 - PWM mode
 - External event counter mode
 - Input capture mode
- Quiet design (low radiated emissions)

- Integrated capacitor for the R/C oscillator
- 2048 bytes of ROM
- 128 bytes of RAM
- Memory mapped I/O
- Software selectable I/O options (TRI-STATE®, push-pull, weak pull-up input, high impedance input)
- High current outputs (8 pins)
- Schmitt trigger inputs on Port G
- MICROWIRE/PLUS™ serial I/O
- Packages: 20 DIP/SO with 16 I/O pins
28 DIP/SO with 24 I/O pins
- 1 μs instruction cycle time
- Three multi-source interrupts servicing
 - External interrupt with selectable edge
 - Timer interrupt
 - Software interrupt
- Versatile and easy to use instruction set
- 8-bit Stack Pointer (SP) — stack in RAM
- Two 8-bit register indirect data memory pointers (B and X)

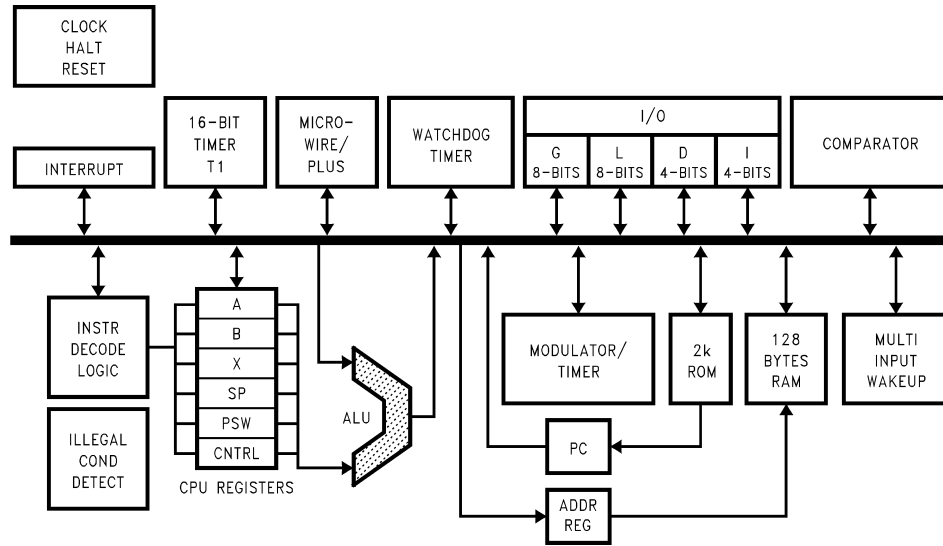
Fully Static CMOS

- Low current drain (typically < 1 μA)
- Single supply operation: 2.5V to 6.0V
- Temperature ranges: 0°C to +70°C, –40°C to +85°C
–55°C to +125°C

Development Support

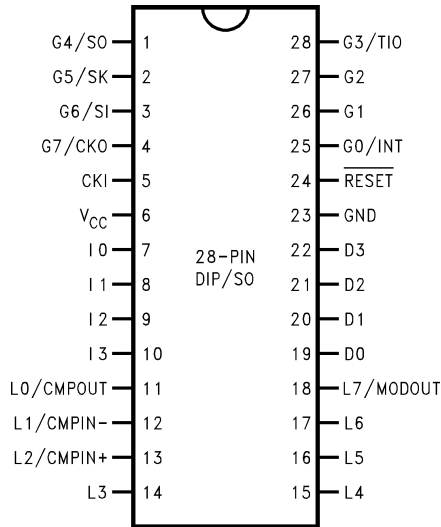
- Emulation and OTP devices
- Real time emulation and full program debug offered by MetaLink's development system

Block Diagram



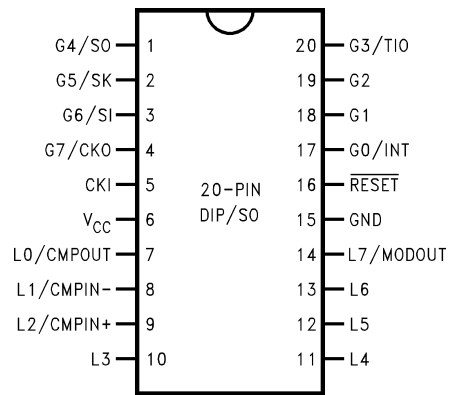
DS012851-1

Connection Diagrams



DS012851-2

Top View
Order Number COP840CJ-XXX/N
or COP840CJ-XXX/M,
COP940CJ-XXX/N or COP940CJ-XXX/M
See NS Package Number N28B or M28B



DS012851-3

Top View
Order Number COP842CJ-XXX/N
or COP842CJ-XXX/M
COP942CJ-XXX/N or COP942CJ-XXX/M
See NS Package Number N20A or M20B

FIGURE 1. Connection Diagrams

Pin Assignment

Port PIN	Type	ALT Funct.	20-Pin	28-Pin
L0	I/O	MIWU/ CMPOUT	7	11
L1	I/O	MIWU/ CMPIN-	8	12
L2	I/O	MIWU/ CMPIN+	9	13
L3	I/O	MIWU	10	14
L4	I/O	MIWU	11	15
L5	I/O	MIWU	12	16
L6	I/O	MIWU	13	17
L7	I/O	MIWU/ MODOUT	14	18
G0	I/O	INTR	17	25
G1	I/O		18	26
G2	I/O		19	27
G3	I/O	TIO	20	28
G4	I/O	SO	1	1
G5	I/O	SK	2	2
G6	I	SI	3	3
G7	I	CKO	4	4
I0	I			7
I1	I			8
I2	I			9
I3	I			10
D0	O			19
D1	O			20
D2	O			21
D3	O			22
V _{CC}			6	6
GND			15	23
CKI			5	5
RESET			16	24

Absolute Maximum Ratings (Note 1)

If Military/Aerospace specified devices are required, please contact the National Semiconductor Sales Office/Distributors for availability and specifications.

Supply Voltage (V_{CC}) 7.0V
Voltage at Any Pin $-0.3V$ to $V_{CC} + 0.3V$

Total Current into V_{CC} Pin (source) 80 mA

Total Current out of GND Pin (sink) 80 mA

Storage Temperature Range $-65^{\circ}C$ to $+150^{\circ}C$

Note 1: Absolute maximum ratings indicate limits beyond which damage to the device may occur. DC and AC electrical specifications are not ensured when operating the device at absolute maximum ratings.

DC Electrical Characteristics COP94x

$0^{\circ}C \leq T_A \leq +70^{\circ}C$ unless otherwise specified

Parameter	Condition	Min	Typ	Max	Units
Operating Voltage COP94xCJ COP94xCJH	Brown Out Disabled	2.5 4.5		4.5 6.0	V V
Power Supply Ripple (Note 2)	Peak-to-Peak			$0.1 V_{CC}$	V
Supply Current (Notes 3, 6) CKI = 10 MHz, R = 2.2k CKI = 4 MHz, R = 4.7k CKI = 4 MHz, R = 4.7k CKI = 1 MHz, R = 20k	$V_{CC} = 6V, t_C = 1 \mu s$ $V_{CC} = 6V, t_C = 2.5 \mu s$ $V_{CC} = 4.5V, t_C = 2.5 \mu s$ $V_{CC} = 4.5V, t_C = 10 \mu s$			8.0 6.0 2.5 1.5	mA mA mA mA
HALT Current with Brown Out Disabled (Note 4)	$V_{CC} = 6V, CKI = 0$ MHz		< 2.2	8	μA
HALT Current with Brown Out Enabled	$V_{CC} = 6V, CKI = 0$ MHz		< 50	100	μA
Brown Out Trip Level (Brown Out Enabled)		1.9	3.1	3.9	V
INPUT LEVELS (V_{IH}, V_{IL}) Reset, CKI: Logic High Logic Low All Other Inputs Logic High Logic Low		0.8 V_{CC} 0.7 V_{CC}		0.2 V_{CC} 0.2 V_{CC}	V V V V
Hi-Z Input Leakage	$V_{CC} = 6.0V$	-2		+2	μA
Input Pullup Current	$V_{CC} = 6.0V$	-40		-250	μA
L- and G-Port Hysteresis			0.05 V_{CC}	0.35 V_{CC}	V
Output Current Levels D Outputs: Source Sink L4-L7 Output Sink All others Source (Weak Pull-up Mode) Sink (Push-Pull Mode) TRI-STATE Leakage	$V_{CC} = 4.5V, V_{OH} = 3.8V$ $V_{CC} = 2.5V, V_{OH} = 1.8V$ $V_{CC} = 4.5V, V_{OL} = 1.0V$ $V_{CC} = 2.5V, V_{OH} = 0.4V$ $V_{CC} = 4.5V, V_{OL} = 2.5V$ $V_{CC} = 4.5V, V_{OH} = 3.2V$ $V_{CC} = 2.5V, V_{OH} = 1.8V$ $V_{CC} = 4.5V, V_{OL} = 0.4V$ $V_{CC} = 2.5V, V_{OL} = 0.4V$	-0.4 -0.2 10 2 15 -10 -2.5 1.6 0.7 -2.0		-110 -33	mA mA mA mA mA μA μA mA mA μA

DC Electrical Characteristics COP94x (Continued)0°C ≤ T_A ≤ +70°C unless otherwise specified

Parameter	Condition	Min	Typ	Max	Units
Allowable Sink/Source Current per Pin					
D Outputs				15	mA
L4–L7 (sink)				20	mA
All Others				3	mA
Maximum Input Current without Latchup (Note 5)				±100	mA
RAM Retention Voltage, V _r	500 ns Rise and Fall Time (min)	2.0			V
Input Capacitance				7	pF
Load Capacitance on D2				1000	pF

Note 2: Rate of voltage change must be < 10V/ms.**Note 3:** Supply current is measured after running 2000 cycles with a square wave CKI input, CKO open, inputs at rails and outputs open.**Note 4:** The HALT mode will stop CKI from oscillating in the RC and crystal configurations. HALT test conditions: L₁ and G0..G5 ports configured as outputs and set high. The D port set to zero. All inputs tied to V_{CC}. The comparator and the Brown Out circuits are disabled.**Note 5:** Pins G6 and $\overline{\text{RESET}}$ are designed with a high voltage input network. These pins allow input voltages greater than V_{CC} and the pins will have sink current to V_{CC} when biased at voltages greater than V_{CC} (the pins do not have source current when biased at a voltage below V_{CC}). The effective resistance to V_{CC} is 750Ω (typical). These two pins will not latch up. The voltage at the pins must be limited to < 14V.**Note 6:** The Resistor values are for R/C only.**AC Electrical Characteristics COP94x**0°C ≤ T_A ≤ +70°C unless otherwise specified

Parameter	Condition	Min	Typ	Max	Units
Instruction Cycle Time (t _c)					
Crystal/Resonator	4.5V ≤ V _{CC} < 6.0V	1		DC	μs
	2.5V ≤ V _{CC} < 4.5V	2.5		DC	μs
R/C Oscillator	4.5V ≤ V _{CC} < 6.0V	2		DC	μs
	2.5V ≤ V _{CC} < 4.5V	5		DC	μs
V _{CC} Rise Time when Using Brown Out		50			μs
Frequency at Brown Out Reset				4	MHz
CKI Frequency for Modulator Output				4	MHz
CKI Clock Duty Cycle (Note 7)	fr = Max	40		60	%
Rise Time (Note 7)	fr = 10 MHz ext. clock			12	ns
Fall Time (Note 7)	fr = 10 MHz ext. clock			8	ns
Inputs					
t _{Setup}	4.5V ≤ V _{CC} < 6.0	200			ns
	2.5V ≤ V _{CC} < 4.5	500			ns
t _{Hold}	4.5V ≤ V _{CC} < 6.0	60			ns
	2.5V ≤ V _{CC} < 4.5	150			ns
Output Propagation Delay	RL = 2.2k, CL = 100 pF				
t _{PD1} , t _{PD0}					
SO, SK	4.5V ≤ V _{CC} < 6.0			0.7	μs
	2.5V ≤ V _{CC} < 4.5			1.75	μs
All Others	4.5V ≤ V _{CC} < 6.0			1	μs
	2.5V ≤ V _{CC} < 4.5			5	μs
Input Pulse Width		1			t _c
Interrupt Input High Time		1			t _c
Interrupt Input Low Time		1			t _c
Timer Input High Time		1			t _c
Timer Input Low Time		1			t _c

AC Electrical Characteristics COP94x (Continued)0°C ≤ T_A ≤ +70°C unless otherwise specified

Parameter	Condition	Min	Typ	Max	Units
MICROWIRE Setup Time (t _{μWS})		20			ns
MICROWIRE Hold Time (t _{μWH})		56			ns
MICROWIRE Output Propagation Delay (t _{μPD})				220	ns
Reset Pulse Width		1.0			μs

Note 7: Parameter sampled but not 100% tested.

Absolute Maximum Ratings (Note 8)

If Military/Aerospace specified devices are required, please contact the National Semiconductor Sales Office/Distributors for availability and specifications.

Supply Voltage (V_{CC}) 7.0V
Voltage at any Pin $-0.3V$ to $V_{CC} + 0.3V$

Total current into V_{CC} pin (source) 80 mA
Total current out of GND pin (sink) 80 mA
Storage Temperature Range $-65^{\circ}C$ to $+150^{\circ}C$

Note 8: Absolute maximum ratings indicate limits beyond which damage to the device may occur. DC and AC electrical specifications are not ensured when operating the device at absolute maximum ratings.

DC Electrical Characteristics COP84x

$-40^{\circ}C \leq T_A \leq +85^{\circ}C$ unless otherwise specified

Parameter	Condition	Min	Typ	Max	Units
Operating Voltage	Brown Out disabled	2.5		6.0	V
Power Supply Ripple (Note 9)	Peak-to-Peak			$0.1 V_{CC}$	V
Supply Current (Notes 10, 13)					
CKI = 10 MHz, R = 2.2k	$V_{CC} = 6V, t_C = 1 \mu s$			8.0	mA
CKI = 4 MHz, R = 4.7k	$V_{CC} = 6V, t_C = 2.5 \mu s$			6.0	mA
CKI = 4 MHz, R = 4.7k	$V_{CC} = 4.5V, t_C = 2.5 \mu s$			2.5	mA
CKI = 1 MHz, R = 20k	$V_{CC} = 4.5V, t_C = 10 \mu s$			1.5	mA
HALT Current with Brown Out Disabled (Note 10)	$V_{CC} = 6V, CKI = 0$ MHz		< 2.5	10	μA
HALT Current with Brown Out Enabled	$V_{CC} = 6V, CKI = 0$ MHz		< 50	100	μA
Brown Out Trip Level (Brown Out Enabled)		1.8	3.1	4.2	V
INPUT LEVELS (V_{IH}, V_{IL})					
Reset, CKI:					
Logic High		$0.8 V_{CC}$			V
Logic Low				$0.2 V_{CC}$	V
All Other Inputs					
Logic High		$0.7 V_{CC}$			V
Logic Low				$0.2 V_{CC}$	V
Hi-Z Input Leakage	$V_{CC} = 6.0V$	-2		+2	μA
Input Pullup Current	$V_{CC} = 6.0V$	-40		-250	μA
L- and G-Port Hysteresis			$0.05 V_{CC}$	$0.35 V_{CC}$	V
Output Current Levels					
D Outputs:					
Source	$V_{CC} = 4.5V, V_{OH} = 3.8V$	-0.4			mA
	$V_{CC} = 2.5V, V_{OH} = 1.8V$	-0.2			mA
Sink	$V_{CC} = 4.5V, V_{OL} = 1.0V$	10			mA
	$V_{CC} = 2.5V, V_{OH} = 0.4V$	2			mA
L4-L7 Output Sink	$V_{CC} = 4.5V, V_{OL} = 2.5V$	15			mA
All Others					
Source (Weak Pull-Up Mode)	$V_{CC} = 4.5V, V_{OH} = 3.2V$	-10		-110	μA
	$V_{CC} = 2.5V, V_{OH} = 1.8V$	-2.5		-33	μA
Sink (Push-Pull Mode)	$V_{CC} = 4.5V, V_{OL} = 0.4V$	1.6			mA
	$V_{CC} = 2.5V, V_{OL} = 0.4V$	0.7			mA
TRI-STATE Leakage		-2.0		+2.0	μA
Allowable Sink/Source Current per Pin					
D Outputs				15	mA
L4-L7 (sink)				20	mA
All Others				3	mA

DC Electrical Characteristics COP84x (Continued)

$-40^{\circ}\text{C} \leq T_A \leq +85^{\circ}\text{C}$ unless otherwise specified

Parameter	Condition	Min	Typ	Max	Units
Maximum Input Current without Latchup (Note 12)				± 100	mA
RAM Retention Voltage, V_r	500 ns Rise and Fall Time (min)	2.0			V
Input Capacitance				7	pF
Load Capacitance on D2				1000	pF

Note 9: Rate of voltage change must be $< 10\text{V/ms}$.

Note 10: Supply current is measured after running 2000 cycles with a square wave CKI input, CKO open, inputs at rails and outputs open.

Note 11: The HALT mode will stop CKI from oscillating in the RC and crystal configurations. HALT test conditions: L, and G0..G5 ports configured as outputs and set high. The D port set to zero. All inputs tied to V_{CC} . The comparator and the Brown Out circuits are disabled.

Note 12: Pins G6 and $\overline{\text{RESET}}$ are designed with a high voltage input network. These pins allow input voltages greater than V_{CC} and the pins will have sink current to V_{CC} when biased at voltages greater than V_{CC} (the pins do not have source current when biased at a voltage below V_{CC}). The effective resistance to V_{CC} is 750Ω (typical). These two pins will not latch up. The voltage at the pins must be limited to $< 14\text{V}$.

Note 13: The Resistor values are for R/C only.

AC Electrical Characteristics COP84x

$-40^{\circ}\text{C} \leq T_A \leq +85^{\circ}\text{C}$ unless otherwise specified.

Parameter	Condition	Min	Typ	Max	Units
Instruction Cycle Time (t_C)					
Crystal/Resonator	$4.5\text{V} \leq V_{CC} < 6.0\text{V}$	1		DC	μs
	$2.5\text{V} \leq V_{CC} < 4.5\text{V}$	2.5		DC	μs
R/C Oscillator	$4.5\text{V} < V_{CC} < 6.0\text{V}$	2		DC	μs
	$2.5\text{V} \leq V_{CC} < 4.5\text{V}$	5		DC	μs
V_{CC} Rise Time when Using Brown Out		50			μs
Frequency at Brown Out Reset				4	MHz
CKI Frequency for Modulator Output				4	MHz
CKI Clock Duty Cycle (Note 14)	fr = Max	40		60	%
Rise Time (Note 14)	fr = 10 MHz ext. clock			12	ns
Fall Time (Note 14)	fr = 10 MHz ext. clock			8	ns
Inputs					
t_{Setup}	$4.5\text{V} \leq V_{CC} < 6.0\text{V}$	200			ns
	$2.5\text{V} \leq V_{CC} < 4.5\text{V}$	500			ns
t_{Hold}	$4.5\text{V} \leq V_{CC} < 6.0\text{V}$	60			ns
	$2.5\text{V} \leq V_{CC} < 4.5\text{V}$	150			ns
Output Propagation Delay	$R_L = 2.2\text{k}, C_L = 100\text{ pF}$				
$t_{\text{PD1}}, t_{\text{PD0}}$	$4.5\text{V} \leq V_{CC} < 6.0\text{V}$			0.7	μs
SO, SK	$2.5\text{V} \leq V_{CC} < 4.5\text{V}$			1.75	μs
All Others	$4.5\text{V} \leq V_{CC} < 6.0\text{V}$			1	μs
	$2.5\text{V} \leq V_{CC} < 4.5\text{V}$			5	μs
Input Pulse Width		1			t_C
Interrupt Input High Time		1			t_C
Interrupt Input Low Time		1			t_C
Timer Input High Time		1			t_C
Timer input low time		1			t_C
MICROWIRE Setup Time ($t_{\mu\text{WS}}$)		20			ns
MICROWIRE Hold Time ($t_{\mu\text{WH}}$)		56			ns
MICROWIRE Output Propagation Delay ($t_{\mu\text{PD}}$)				220	ns
Reset Pulse Width		1.0			μs

Note 14: Parameter sampled but not 100% tested.

AC Electrical Characteristics COP84x (Continued)

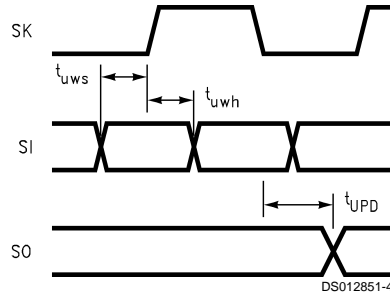
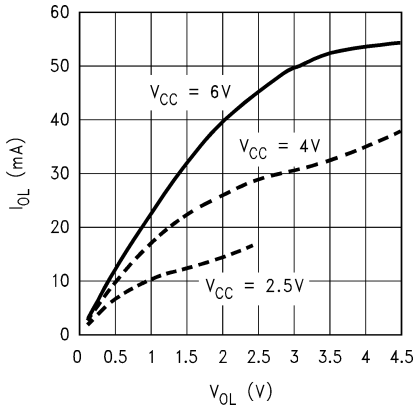


FIGURE 2. MICROWIRE/PLUS Timing

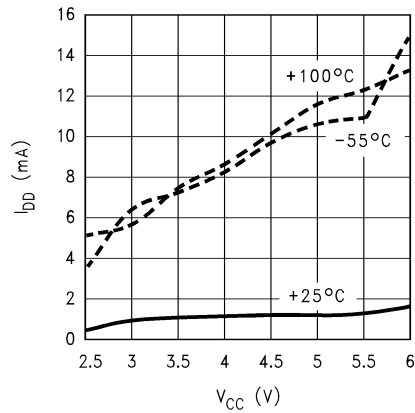
Typical Performance Characteristics (-40°C ≤ T_A ≤ +85°C)

Port D Sink Current



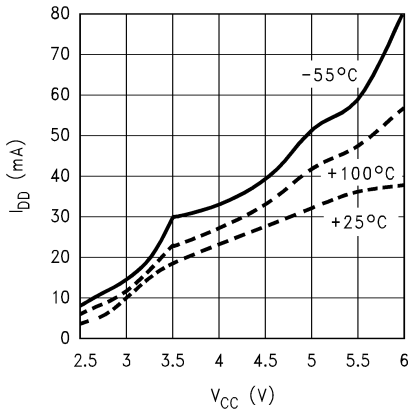
DS012851-5

Halt Current with Brown Out Disabled



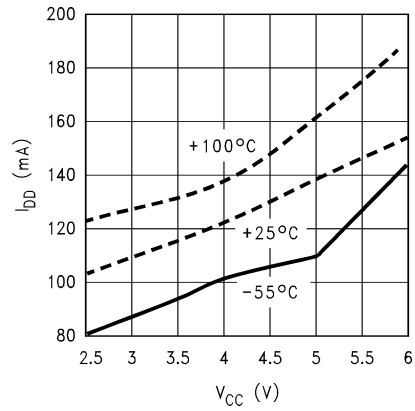
DS012851-6

Halt Current with Brown Out Enabled



DS012851-7

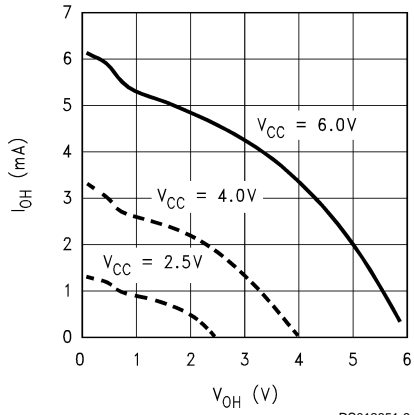
Halt Current with Comparator Enabled



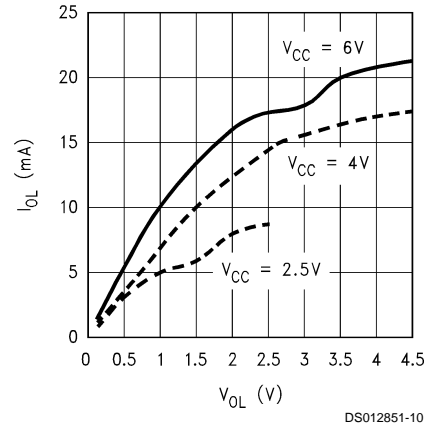
DS012851-8

Typical Performance Characteristics $(-40^{\circ}\text{C} \leq T_A \leq +85^{\circ}\text{C})$ (Continued)

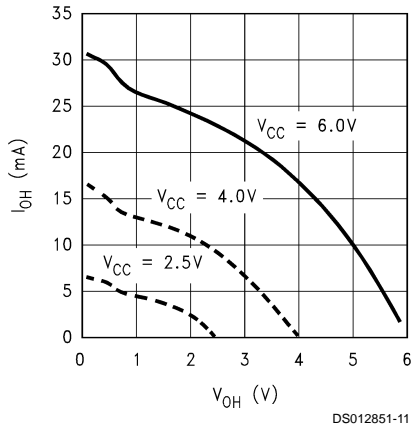
Ports L/G Push-Pull Source Current



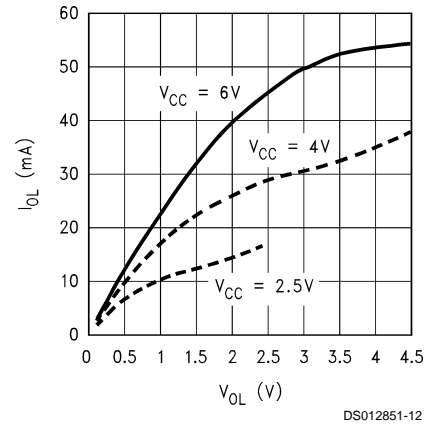
Ports L/G Push-Pull Sink Current



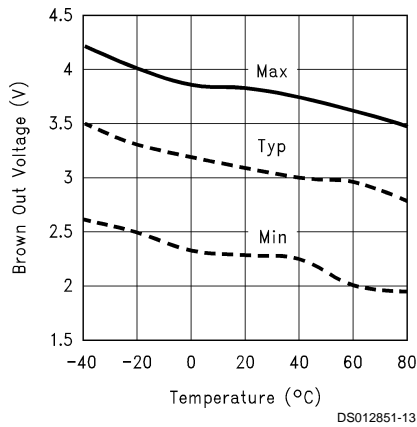
Port D Source Current



Port D Sink Current



Brown Out Voltage vs Temperature



Pin Descriptions

V_{CC} and **GND** are the power supply pins.

CKI is the clock input. This can come from an external source, a R/C generated oscillator or a crystal (in conjunction with **CKO**). See Oscillator description.

RESET is the master reset input. See Reset description.

PORT I is a 4-bit Hi-Z input port.

PORT L is an 8-bit I/O port.

There are two registers associated with the L port: a data register and a configuration register. Therefore, each L I/O bit can be individually configured under software control as shown below:

Port L Config.	PORT L Data	Port L Setup
0	0	Hi-Z input (TRI-STATE)
0	1	Input with weak pull-up
1	0	Push-pull zero output
1	1	Push-pull one output

Three data memory address locations are allocated for this port, one each for data register [00D0], configuration register [00D1] and the input pins [00D2].

Port L has the following alternate features:

- L0 MIWU or CMPOUT
- L1 MIWU or CMPIN-
- L2 MIWU or CMPIN+
- L3 MIWU
- L4 MIWU (high sink current capability)
- L5 MIWU (high sink current capability)
- L6 MIWU (high sink current capability)
- L7 MIWU or MODOUT (high sink current capability)

The selection of alternate Port L functions is done through registers **WKEN** [00C9] to enable MIWU, and **CNTRL2** [00CC] to enable comparator and modulator.

All eight L-pins have Schmitt Triggers on their inputs.

PORT G is an 8-bit port with 6 I/O pins (G0–G5) and 2 input pins (G6, G7).

All eight G-pins have Schmitt Triggers on the inputs.

There are two registers associated with the G port: a data register and a configuration register. Therefore each G port bit can be individually configured under software control as shown below:

Port G Config.	Port G Data	PORT G Setup
0	0	Hi-Z input (TRI-STATE)
0	1	Input with weak pull-up
1	0	Push-pull zero output
1	1	Push-pull one output

Three data memory address locations are allocated for this port, one for data register [00D4], one for configuration register [00D5] and one for the input pins [00D6]. Since G6 and G7 are Hi-Z input only pins, any attempt by the user to configure them as outputs by writing a one to the configuration register will be disregarded. Reading the G6 and G7 configuration bits will return zeros. Note that the device will be placed in the Halt mode by writing a "1" to the G7 data bit.

Six pins of Port G have alternate features:

- G0 INTR (an external interrupt)

- G3 TIO (timer/counter input/output)
- G4 SO (MICROWIRE serial data output)
- G5 SK (MICROWIRE clock I/O)
- G6 SI (MICROWIRE serial data input)
- G7 CKO crystal oscillator output (selected by mask option) or HALT restart input/general purpose input (if clock option is R/C- or external clock)

Pins G1 and G2 currently do not have any alternate functions.

The selection of alternate Port G functions is done through registers **PSW** [00EF] to enable external interrupt, and **CNTRL1** [00EE] to select TIO and MICROWIRE operations.

PORT D is a four bit output port that is preset high when **RESET** goes low. One data memory address location is allocated for the data register [00DC].

Note: Care must be exercised with the D2 pin operation. At **RESET**, the external loads on this pin must ensure that the output voltages stay above 0.8 V_{CC} to prevent the chip from entering special modes. Also keep the external loading on D2 to < 1000 pF.

Functional Description

The internal architecture is shown in the block diagram. Data paths are illustrated in simplified form to depict how the various logic elements communicate with each other in implementing the instruction set of the device.

ALU AND CPU REGISTERS

The ALU can do an 8-bit addition, subtraction, logical or shift operations in one cycle time.

There are five CPU registers:

- A is the 8-bit Accumulator register
- PC is the 15-bit Program Counter register. PU is the upper 7 bits of the program counter (PC). PL is the lower 8 bits of the program counter (PC).
- B is the 8-bit address register and can be auto incremented or decremented.
- X is the 8-bit alternate address register and can be auto incremented or decremented.
- SP is the 8-bit stack pointer which points to the subroutine stack (in RAM).

B, X and SP registers are mapped into the on-chip RAM. The B and X registers are used to address the on-chip RAM. The SP register is used to address the stack in RAM during subroutine calls and returns. The SP must be initialized by software before any subroutine call or interrupts occur.

MEMORY

The memory is separated into two memory spaces: program and data.

PROGRAM MEMORY

Program memory consists of 2048 x 8 ROM. These bytes of ROM may hold instructions or constant data. The memory is addressed by the 15-bit program counter (PC). ROM can be indirectly read by the LAID instruction for table lookup.

DATA MEMORY

The data memory address space includes on-chip RAM, I/O and registers. Data memory is addressed directly by instructions or indirectly through the B, X and SP registers. The device has 128 bytes of RAM. Sixteen bytes of RAM are mapped as "registers", these can be loaded immediately,

Functional Description (Continued)

decremented and tested. Three specific registers: X, B, and SP are mapped into this space, the other registers are available for general usage.

The instruction set permits any bit in memory to be directly set, reset or tested. All I/O and registers (except A and PC) are memory mapped; therefore, I/O bits and register bits can be directly and individually set, reset and tested; except the write once only bit (WDREN, WATCHDOG Reset Enable), and the unused and read only bits in the CNTRL2 and WDREG registers.

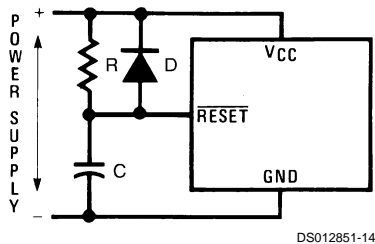
Note: RAM contents are undefined upon power-up.

Reset

EXTERNAL RESET

The RESET input pin when pulled low initializes the micro-controller. The user must insure that the RESET pin is held low until V_{CC} is within the specified voltage range and the clock is stabilized. An R/C circuit with a delay 5x greater than the power supply rise time is recommended (Figure 3). The device immediately goes into reset state when the RESET input goes low. When the RESET pin goes high the device comes out of reset state synchronously. The device will be running within two instruction cycles of the RESET pin going high. The following actions occur upon reset:

Register	Initialization
Port L	TRI-STATE
Port G	TRI-STATE
Port D	HIGH
PC	CLEARED
RAM Contents	RANDOM with Power On Reset UNAFFECTED with external Reset (power already applied)
B, X, SP	Same as RAM
PSW, CNTRL1, CNTRL2 and WDREG Reg.	CLEARED
Multi-Input Wake-up Reg. (WKEDG, WKEN) (WKPND)	CLEARED UNKNOWN
Data and Configuration Registers for L and G	CLEARED
WATCHDOG Timer	Prescaler/Counter each loaded with FF



$RC > 5 \times$ Power Supply Rise Time

FIGURE 3. Recommended Reset Circuit

The device comes out of the HALT mode when the RESET pin is pulled low. In this case, the user has to ensure that the RESET signal is low long enough to allow the oscillator to re-start. An internal $256 t_C$ delay is normally used in conjunction with the two pin crystal oscillator. When the device comes out of the HALT mode through Multi-Input Wake-up, this delay allows the oscillator to stabilize.

The following additional actions occur after the device comes out of the HALT mode via the RESET pin.

If a two pin crystal/resonator oscillator is being used:

RAM Contents:	UNAFFECTED
Timer T1 and A Contents:	UNKNOWN
WATCHDOG Timer Prescaler/Counter:	CHANGED

If the external or RC clock option is being used:

RAM Contents:	UNCHANGED
Timer T1 and A Contents:	UNCHANGED
WATCHDOG Timer Prescaler/Counter:	CHANGED

The external RESET takes priority over the Brown Out Reset.

Note: If the RESET pin is pulled low while Brown Out occurs (Brown Out circuit has detected Brown Out condition), the external reset will not occur until the Brown Out condition is removed. External reset has priority only if V_{CC} is greater than the Brown Out Voltage.

WATCHDOG RESET

With WATCHDOG enabled, the WATCHDOG logic resets the device if the user program does not service the WATCHDOG timer within the selected service window. The WATCHDOG reset does not disable the WATCHDOG. Upon WATCHDOG reset, the WATCHDOG Prescaler/Counter are each initialized with FF Hex.

The following actions occur upon WATCHDOG reset that are different from external reset.

WDREN WATCHDOG Reset Enable bit UNCHANGED

WDUDF WATCHDOG Underflow bit UNCHANGED

Additional initialization actions that occur as a result of WATCHDOG reset are as follows:

Port L:	TRI-STATE
Port G:	TRI-STATE
Port D:	HIGH
PC:	CLEARED
RAM Contents:	RANDOM
B, X, SP:	UNAFFECTED
PSW, CNTRL1 and CNTRL2 (except WDUDF Bit) Registers:	CLEARED
Multi-Input Wake-up Registers (WKEDG, WKEN): (WKPND):	CLEARED UNKNOWN
Data and Configuration Registers for L and G:	CLEARED
WATCHDOG Timer:	Prescaler/Counter each loaded with FF

Reset (Continued)

BROWN OUT RESET

The on-board Brown Out detection circuit resets the device when the operating voltage (V_{CC}) is lower than the Brown Out voltage. The device is held in reset when V_{CC} stays below the Brown Out voltage. The device will remain in RESET as long as V_{CC} is below the Brown Out Voltage. The device will resume execution if V_{CC} rises above the Brown Out Voltage. If a two pin crystal/resonator clock option is selected, the Brown Out reset will trigger a 256 tc delay. This delay allows the oscillator to stabilize before the device exits the reset state. The delay is not used if the clock option is either R/C or external clock. The contents of data registers and RAM are unknown following a Brown Out reset. The external reset takes priority over Brown Out Reset and will deactivate the 256 tc cycles delay if in progress. The Brown Out reset takes priority over the WATCHDOG reset.

The following actions occur as a result of Brown Out reset:

Port L:	TRI-STATE
Port G:	TRI-STATE
Port D:	HIGH
PC:	CLEARED
RAM Contents:	RANDOM
B, X, SP	UNKNOWN
PSW, CNTRL1, CNTRL2 and WDREG Registers:	CLEARED
Multi-Input Wake-up Registers (WKEDG, WKEN):	CLEARED
(WKPND):	UNKNOWN
Data and Configuration Registers for L and G:	CLEARED
WATCHDOG Timer:	Prescaler/Counter each loaded with FF
Timer T1 and Accumulator:	Unknown data after coming out of the HALT (through Brown Out Reset) with any Clock option

Note: The Development system will detect the BROWN OUT RESET externally and will force the RESET pin low. The Development System does not emulate the 256 tc delay.

Brown Out Detection

An on-board detection circuit monitors the operating voltage (V_{CC}) and compares it with the minimum operating voltage specified. The Brown Out circuit is designed to reset the device if the operating voltage is below the Brown Out voltage (between 1.8V–4.2V at –40C to +85C). The Minimum operating voltage for the device is 2.5V with Brown Out disabled, but with Brown Out enabled the device is guaranteed to operate properly down to minimum Brown Out voltage (Max frequency 4 MHz). For temperature range of 0°C–70°C the Brown Out voltage is expected to be between 1.9V and 3.9V. The circuit can be enabled or disabled by Brown Out mask option. If the device is intended to operate at lower V_{CC} (lower than Brown Out voltage VBO max), the Brown Out circuit should be disabled by the mask option.

The Brown Out circuit may be used as a power-up reset provided the power supply rise time is slower than 50 μ s (0V–6.0V). Brown Out should not be used in frequencies over 4 MHz.

Note: Brown Out Circuit is active in HALT mode (with the Brown Out mask option selected).

Oscillator Circuits

EXTERNAL OSCILLATOR

By selecting the external oscillator option, the CKI pin can be driven by an external clock signal provided it meets the specified duty cycle, rise and fall times, and input levels. The G7/CKO is available as a general purpose input G7 and/or Halt control.

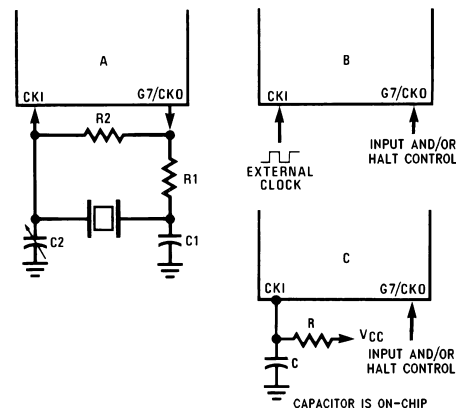
CRYSTAL OSCILLATOR

By selecting the crystal oscillator option, the G7/CKO pin is connected as a clock output, CKI and G7/CKO can be connected to make a crystal controlled oscillator. Table 1 shows the clock frequency for different component values. See Figure 4 for the connections.

R/C OSCILLATOR

By selecting the R/C oscillator option, connecting a resistor from the CKI pin to V_{CC} makes a R/C oscillator. The capacitor is on-chip. The G7/CKO pin is available as a general purpose input G7 and/or Halt control. Adding an external capacitor will jeopardize the clock frequency tolerance and increase EMI emissions.

Table 2 shows the clock frequency for the different resistor values. The capacitor is on-chip. See Figure 4 for the connections.



DS012851-15

FIGURE 4. Clock Oscillator Configurations

Oscillator Circuits (Continued)

TABLE 1. Crystal Oscillator Configuration ($T_A = 25^\circ\text{C}$)

R1 (k Ω)	R2 (M Ω)	C1 (pF)	C2 (pF)	CKI Freq. (MHz)	Conditions
0	1	30	30–36	10	$V_{CC} = 5V$
0	1	30	30–36	4	$V_{CC} = 5V$
5.6	1	200	100–156	0.455	$V_{CC} = 5V$

TABLE 2. R/C Oscillator Configuration (Part- To- Part Variation)

R (k Ω) (Note 15)	CKI Freq. (MHz)	Temp.	V_{CC}
2.2	7.0 \pm 15%	$-40^\circ\text{C} - +85^\circ\text{C}$	4.5V–5.5V
4.7	4.2 \pm 10%	$-40^\circ\text{C} - +85^\circ\text{C}$	4.5V–5.5V
20.0	1.1 \pm 10%	$-40^\circ\text{C} - +85^\circ\text{C}$	4.5V–5.5V

Note 15: The resistance level is calculated with a total of 5.3 pF capacitance added from the printed circuit board. It is important to take this into account when figuring the clock frequency.

HALT Mode

The device is a fully static device. The device enters the HALT mode by writing a one to the G7 bit of the G data register. Once in the HALT mode, the internal circuitry does not receive any clock signal and is therefore frozen in the exact state it was in when halted. In this mode the chip will only draw leakage current (output current and DC current due to the Brown Out circuit if Brown Out is enabled).

The device supports four different methods of exiting the HALT mode. The first method is with a low to high transition on the CKO (G7) pin. This method precludes the use of the crystal clock configuration (since CKO is a dedicated output). It may be used either with an RC clock configuration or an external clock configuration. The second method of exiting the HALT mode is with the Multi-Input Wake-up feature on the L port. The third method of exiting the HALT mode is by pulling the RESET input low. The fourth method is with the operating voltage going below Brown Out voltage (if Brown Out is enabled by mask option).

If the two pin crystal/resonator oscillator is being used and Multi-Input Wake-up or Brown Out causes the device to exit the HALT mode, the WAKE-UP signal does not allow the chip to start running immediately since crystal oscillators have a delayed start up time to reach full amplitude and frequency stability. The WATCHDOG timer (consisting of an 8-bit prescaler followed by an 8-bit counter) is used to generate a fixed delay of $256 t_C$ to ensure that the oscillator has indeed stabilized before allowing instruction execution. In this case, upon detecting a valid WAKE-UP signal only the oscillator circuitry is enabled. The WATCHDOG Counter and Prescaler are each loaded with a value of FF Hex. The WATCHDOG prescaler is clocked with the t_C instruction cycle (The t_C clock is derived by dividing the oscillator clock down by a factor of 10). The schmitt trigger following the CKI inverter on the chip ensures that the WATCHDOG timer is clocked only when the oscillator has a sufficiently large amplitude to meet the Schmitt trigger specs. This Schmitt trigger is not part of the oscillator closed loop. The start-up time-out from the WATCHDOG timer enables the clock signals to be routed to the rest of the chip. The delay is not activated when the device comes out of HALT mode through RESET pin. Also, if the clock option is either RC or External clock, the delay is not used, but the WATCHDOG Prescaler/Counter contents are changed. The Development System will not emulate the $256 t_C$ delay.

The RESET pin or Brown Out will cause the device to reset and start executing from address X'0000. A low to high transition on the G7 pin (if single pin oscillator is used) or Multi-Input Wake-up will cause the device to start executing from the address following the HALT instruction.

When RESET/pin is used to exit the device from the HALT mode and the two pin crystal/resonator (CKI/CKO) clock option is selected the contents of the Accumulator and the Timer T1 are undetermined following the reset. All other information except the WATCHDOG Prescaler/Counter contents is retained until continuing. If the device comes out of the HALT mode through Brown Out reset, the contents of data registers and RAM are unknown following the reset. All information except the WATCHDOG Prescaler/Counter contents is retained if the device exits the HALT mode through G7 pin or Multi-Input Wake-up.

G7 is the HALT-restart pin, but it can still be used as an input. If the device is not halted, G7 can be used as a general purpose input.

If the Brown Out Enable mask option is selected, the Brown Out circuit remains active during the HALT mode causing additional current to be drawn.

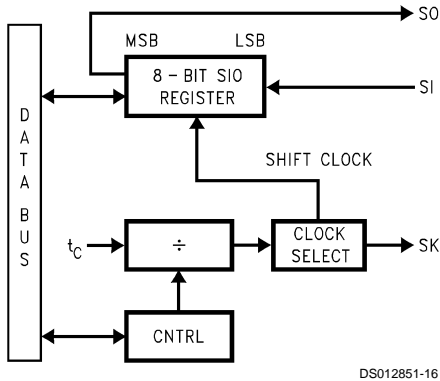
Note: To allow clock resynchronization, it is necessary to program two NOP's immediately after the device comes out of the HALT mode. The user must program two NOP's following the "enter HALT mode" (set G7 data bit) instruction.

MICROWIRE/PLUS

MICROWIRE/PLUS is a serial synchronous bidirectional communications interface. The MICROWIRE/PLUS capability enables the device to interface with any of National Semiconductor's MICROWIRE peripherals (i.e., A/D converters, display drivers, EEPROMS, etc.) and with other microcontrollers which support the MICROWIRE/PLUS interface. It consists of an 8-bit serial shift register (SIO) with serial data input (SI), serial data output (SO) and serial shift clock (SK). Figure 5 shows the block diagram of the MICROWIRE/PLUS interface.

The shift clock can be selected from either an internal source or an external source. Operating the MICROWIRE/PLUS interface with the internal clock source is called the Master mode of operation. Operating the MICROWIRE/PLUS interface with an external shift clock is called the Slave mode of operation.

MICROWIRE/PLUS (Continued)



DS012851-16

FIGURE 5. MICROWIRE/PLUS Block Diagram

The CNTRL register is used to configure and control the MICROWIRE/PLUS mode. To use the MICROWIRE/PLUS, the MSEL bit in the CNTRL register is set to one. The SK clock rate is selected by the two bits, S0 and S1, in the CNTRL register. Table 3 details the different clock rates that may be selected.

TABLE 3.

S1	S0	SK Cycle Time
0	0	$2t_c$
0	1	$4t_c$
1	x	$8t_c$

where,

t_c is the instruction cycle time.

MICROWIRE/PLUS OPERATION

Setting the BUSY bit in the PSW register causes the MICROWIRE/PLUS arrangement to start shifting the data. It gets reset when eight data bits have been shifted. The user may reset the BUSY bit by software to allow < 8 bits to shift. The device may enter the MICROWIRE/PLUS mode either as a Master or as a Slave. Figure 6 shows how two devices and several peripherals may be interconnected using the MICROWIRE/PLUS arrangement.

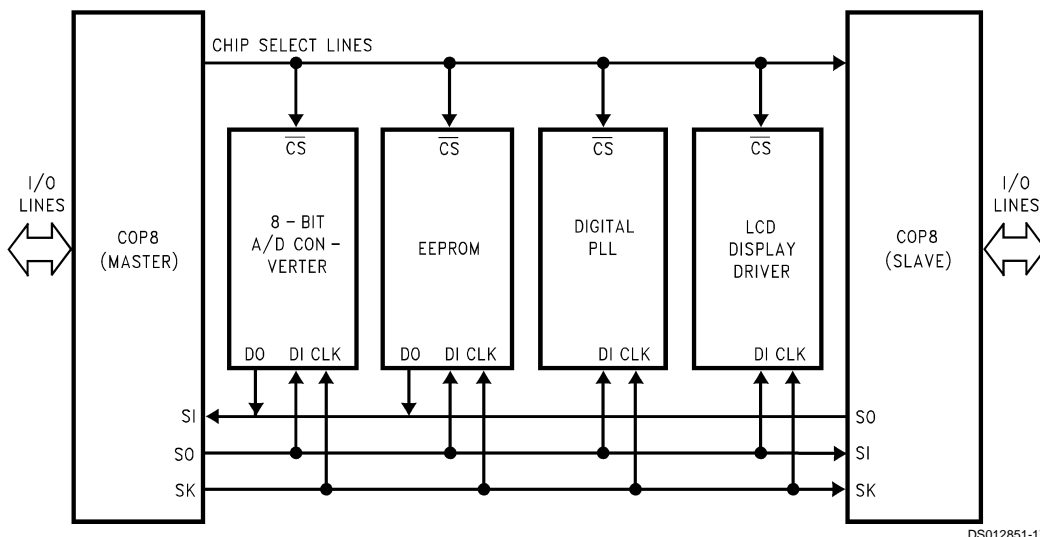
MASTER MICROWIRE/PLUS OPERATION

In the MICROWIRE/PLUS Master mode of operation the shift clock (SK) is generated internally by the device. The MICROWIRE/PLUS Master always initiates all data exchanges. (See Figure 6). The MSEL bit in the CNTRL register must be set to enable the SO and SK functions on the G Port. The SO and SK pins must also be selected as outputs by setting appropriate bits in the Port G configuration register. Table 4 summarizes the bit settings required for Master mode of operation.

SLAVE MICROWIRE/PLUS OPERATION

In the MICROWIRE/PLUS Slave mode of operation the SK clock is generated by an external source. Setting the MSEL bit in the CNTRL register enables the SO and SK functions on the G Port. The SK pin must be selected as an input and the SO pin selected as an output pin by appropriately setting up the Port G configuration register. Table 4 summarizes the settings required to enter the Slave mode of operation.

The user must set the BUSY flag immediately upon entering the Slave mode. This will ensure that all data bits sent by the Master will be shifted properly. After eight clock pulses the BUSY flag will be cleared and the sequence may be repeated. (See Figure 6)



DS012851-17

FIGURE 6. MICROWIRE/PLUS Application

MICROWIRE/PLUS (Continued)

TABLE 4.

G4 Config. Bit	G5 Config. Bit	G4 Fun.	G5 Fun.	G6 Fun.	Operation
1	1	SO	Intl.SK	SI	MICROWIRE Master
0	1	TRI-STATE	Int. SK	SI	MICROWIRE Master
1	0	SO	Ext. SK	SI	MICROWIRE Slave
0	0	TRI-STATE	Ext. SK	SI	MICROWIRE Slave

TIMER/COUNTER

The device has a powerful 16-bit timer with an associated 16-bit register enabling it to perform extensive timer functions. The timer T1 and its register R1 are each organized as two 8-bit read/write registers. Control bits in the register CNTRL allow the timer to be started and stopped under software control. The timer-register pair can be operated in one of three possible modes. Table 5 details various timer operating modes and their requisite control settings.

MODE 1. TIMER WITH AUTO-LOAD REGISTER

In this mode of operation, the timer T1 counts down at the instruction cycle rate. Upon underflow the value in the register R1 gets automatically reloaded into the timer which continues to count down. The timer underflow can be programmed to interrupt the microcontroller. A bit in the control register CNTRL enables the TIO (G3) pin to toggle upon timer underflows. This allows the generation of square-wave outputs or pulse width modulated outputs under software control. (See Figure 7.)

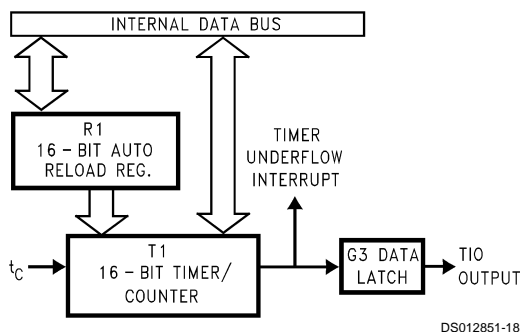


FIGURE 7. Timer/Counter Auto Reload Mode Block Diagram

MODE 2. EXTERNAL COUNTER

In this mode, the timer T1 becomes a 16-bit external event counter. The counter counts down upon an edge on the TIO pin. Control bits in the register CNTRL program the counter to decrement either on a positive edge or on a negative edge. Upon underflow the contents of the register R1 are automatically copied into the counter. The underflow can also be programmed to generate an interrupt. (See Figure 7.)

MODE 3. TIMER WITH CAPTURE REGISTER

Timer T1 can be used to precisely measure external frequencies or events in this mode of operation. The timer T1 counts down at the instruction cycle rate. Upon the occurrence of a specified edge on the TIO pin the contents of the timer T1 are copied into the register R1. Bits in the control register CNTRL allow the trigger edge to be specified either as a positive edge or as a negative edge. In this mode the user can elect to be interrupted on the specified trigger edge. (See Figure 8.)

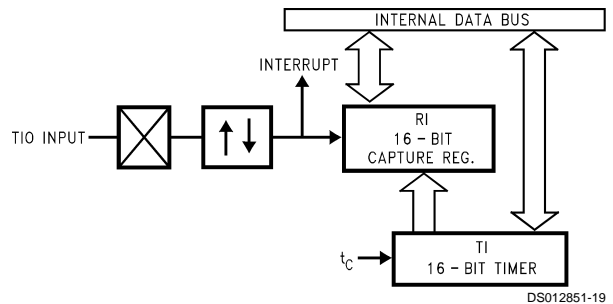


FIGURE 8. Timer Capture Mode Block Diagram

TIMER PWM APPLICATION

Figure 9 shows how a minimal component D/A converter can be built out of the Timer-Register pair in the Auto-Reload mode. The timer is placed in the "Timer with auto reload" mode and the TIO pin is selected as timer output. At the outset the TIO pin is set high, the timer T1 holds the on time and the register R1 holds the signal off time. Setting TRUN bit starts the timer which counts down at the instruction cycle rate. The underflow toggles the TIO output and copies the off time into the timer, which continues to run. By alternately loading in the on time and the off time at each successive interrupt a PWM frequency can be easily generated.

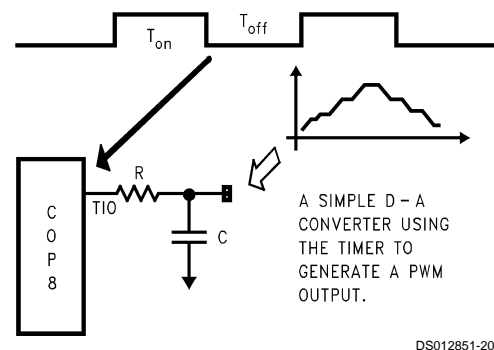


FIGURE 9. Timer Application

MICROWIRE/PLUS (Continued)**TABLE 5. Timer Operating Modes**

CNTRL Bits 7 6 5	Operating Mode	T Interrupt	Timer Counter On
0 0 0	External Counter W/Auto-Load Reg.	Timer Underflow	TIO Pos. Edge
0 0 1	External Counter W/Auto-Load Reg.	Timer Underflow	TIO Pos. Edge
0 1 0	Not Allowed	Not Allowed	Not Allowed
0 1 1	Not Allowed	Not Allowed	Not Allowed
1 0 0	Timer W/Auto-Load Reg.	Timer Underflow	t_C
1 0 1	Timer W/Auto-Load Reg./Toggle TIO Out	Timer Underflow	t_C
1 1 0	Timer W/Capture Register	TIO Pos. Edge	t_C
1 1 1	Timer W/Capture Register	TIO Neg. Edge	t_C

WATCHDOG

The device has an on board 8-bit WATCHDOG timer. The timer contains an 8-bit READ/WRITE down counter clocked by an 8-bit prescaler. Under software control the timer can be dedicated for the WATCHDOG or used as a general purpose counter. *Figure 10* shows the WATCHDOG timer block diagram.

MODE 1: WATCHDOG TIMER

The WATCHDOG is designed to detect user programs getting stuck in infinite loops resulting in loss of program control or "runaway" programs. The WATCHDOG can be enabled or disabled (only once) after the device is reset as a result of Brown Out reset or external reset. On power-up the WATCHDOG is disabled. The WATCHDOG is enabled by writing a 1 to WDREN bit (resides in WDREG register). Once enabled, the user program should write periodically into the 8-bit counter before the counter underflows. The 8-bit counter (WDCNT) is memory mapped at address 0CE Hex. The counter is loaded with n-1 to get n counts. The counter underflow resets the device, but does not disable the WATCHDOG. Loading the 8-bit counter initializes the prescaler with FF Hex and starts the prescaler/counter. Prescaler and counter are stopped upon counter underflow. Prescaler and counter are each loaded with FF Hex when the device goes into the HALT mode. The prescaler is used for crystal/resonator start-up when the device exits the HALT mode through Multi-Input Wake-up. In this case, the prescaler/counter contents are changed.

MODE 2: TIMER

In this mode, the prescaler/counter is used as a timer by keeping the WDREN (WATCHDOG reset enable) bit at 0. The counter underflow sets the WDUDF (underflow) bit and

the underflow does not reset the device. Loading the 8-bit counter (load n-1 for n counts) sets the WDTEN bit (WATCHDOG Timer Enable) to "1", loads the prescaler with FF, and starts the timer. The counter underflow stops the timer. The WDTEN bit serves as a start bit for the WATCHDOG timer. This bit is set when the 8-bit counter is loaded by the user program. The load could be as a result of WATCHDOG service (WATCHDOG timer dedicated for WATCHDOG function) or write to the counter (WATCHDOG timer used as a general purpose counter). The bit is cleared upon Brown Out reset, WATCHDOG reset or external reset. The bit is not memory mapped and is transparent to the user program.

Control/Status Bits

WDUDF: WATCHDOG Timer Underflow Bit

This bit resides in the CNTRL2 Register. The bit is set when the WATCHDOG timer underflows. The underflow resets the device if the WATCHDOG reset enable bit is set (WDREN = 1). Otherwise, WDUDF can be used as the timer underflow flag. The bit is cleared upon Brown-Out reset, external reset, load to the 8-bit counter, or going into the HALT mode. It is a read only bit.

WDREN: WD Reset Enable

WDREN bit resides in a separate register (bit 0 of WDREG). This bit enables the WATCHDOG timer to generate a reset. The bit is cleared upon Brown Out reset, or external reset. The bit under software control can be written to only once (once written to, the hardware does not allow the bit to be changed during program execution).

WDREN = 1 WATCHDOG reset is enabled

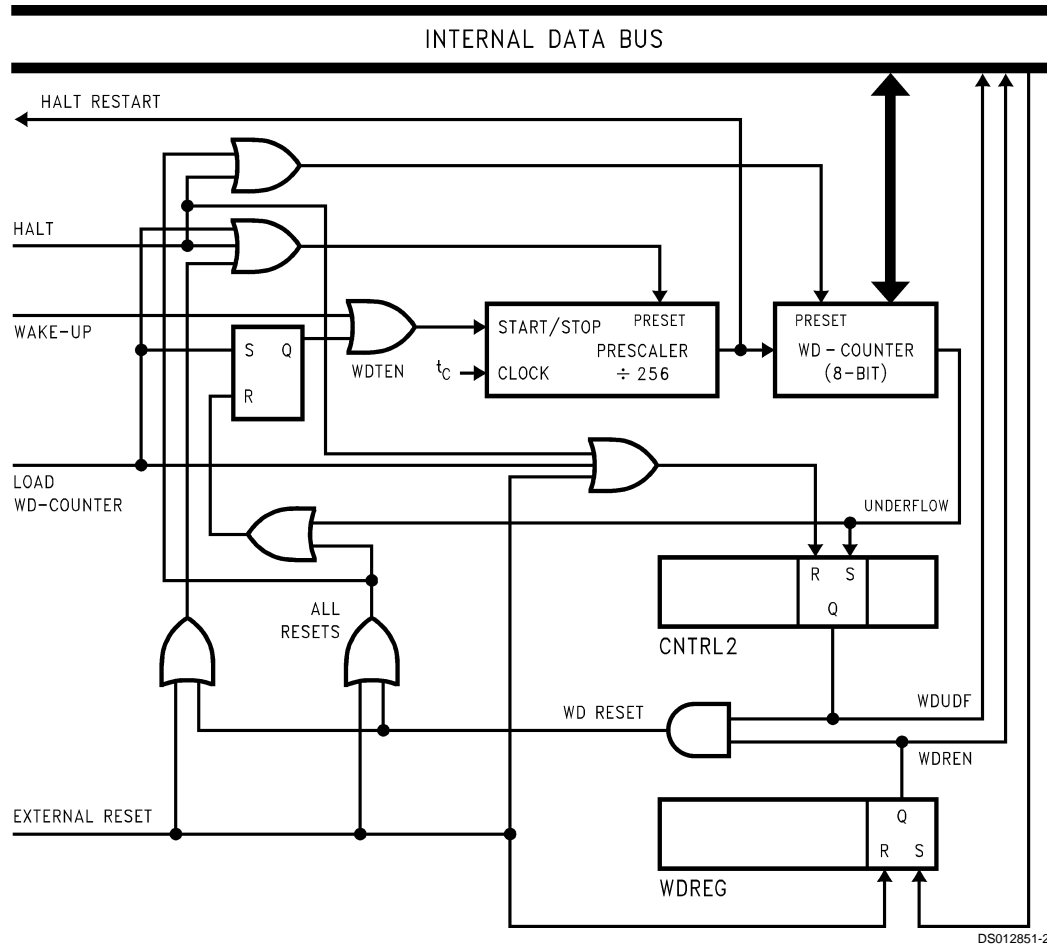
WDREN = 0 WATCHDOG reset is disabled.

Table 6 shows the impact of Brown Out Reset, WATCHDOG Reset, and External Reset on the Control/Status bits.

TABLE 6. WATCHDOG Control/Status

Parameter	HALT MODE	WD Reset	EXT/BOR (Note 16) Reset	Load Counter
8-bit Prescaler	FF	FF	FF	FF
8-bit WD counter	FF	FF	FF	User Value
WDREN bit	Unchanged	Unchanged	0	No effect
WDUDF bit	0	Unchanged	0	0
WDTEN Signal	Unchanged	0	0	1

Note 16: BOR is Brown Out Reset

WATCHDOG (Continued)

DS012851-21

FIGURE 10. WATCHDOG Timer Block Diagram**Modulator/Timer**

The MODULATOR/TIMER contains an 8-bit counter and an 8-bit autoreload register (MODRL address 0CF Hex). The Modulator/Timer has two modes of operation, selected by the control bit MC3. The Modulator/Timer Control bits MC1, MC2 and MC3 reside in CNTRL2 Register.

MODE 1: MODULATOR

The Modulator is used to generate high frequency pulses on the modulator output pin (L7). The L7 pin should be configured as an output. The number of pulses is determined by the 8-bit down counter. Under software control the modulator input clock can be either CKI or t_C . The t_C clock is derived by dividing down the oscillator clock by a factor of 10. Three control bits (MC1, MC2, and MC3) are used for the Modulator/Timer output control. When MC2 = 1 and MC3 = 1, CKI is used as the modulator input clock. When MC2 = 0, and MC3 = 1, t_C is used as the modulator input clock. The user loads the counter with the desired number of counts (256 max) and sets MC1 to start the counter. The modulator autoreload register is loaded with n-1 to get n pulses. CKI or t_C pulses are routed to the modulator output (L7) until the counter underflows (Figure 11). Upon underflow the hardware resets MC1 and stops the counter. The L7 pin goes low and stays low until the counter is restarted by the user program. The user program has the responsibility to time-out the low time. Unless the number of counts is changed, the

user program does not have to load the counter each time the counter is started. The counter can simply be started by setting the MC1 bit. Setting MC1 by software will load the counter with the value of the autoreload register. The software can reset MC1 to stop the counter.

MODE 2: PWM TIMER

The counter can also be used as a PWM Timer. In this mode, an 8-bit register is used to serve as an autoreload register (MODRL).

1. 50% Duty Cycle:

When MC1 is 1 and MC2, MC3 are 0, a 50% duty cycle free running signal is generated on the L7 output pin (Figure 12). The L7 pin must be configured as an output pin. In this mode the 8-bit counter is clocked by t_C . Setting the MC1 control bit by software loads the counter with the value of the autoreload register and starts the counter. The counter underflow toggles the (L7) output pin. The 50% duty cycle signal will be continuously generated until MC1 is reset by the user program.

Modulator/Timer (Continued)

2. Variable Duty Cycle:

When MC3 = 0 and MC2 = 1, a variable duty cycle PWM signal is generated on the L7 output pin. The counter is clocked by t_c . In this mode the 16-bit timer T1 along with the 8-bit down counter are used to generate a variable duty cycle PWM signal. The timer T1 underflow sets MC1 which starts the down counter and it also sets L7 high (L7 should be configured as an output). When the counter underflows the MC1 control bit is reset and the L7 output will go low until the next timer T1 underflow. Therefore, the width of the output pulse is controlled by the 8-bit counter and the pulse duration is controlled by the 16-bit timer T1 (Figure 13). Timer T1 must be configured in "PWM Mode/Toggle TIO Out" (CNTRL1 Bits 7,6,5 = 101).

Table 7 shows the different operation modes for the Modulator/Timer.

TABLE 7. Modulator/Timer Modes

Control bits in CNTRL2(00CC)			OPERATION MODE L7 Function
MC3	MC2	MC1	
0	0	0	Normal I/O
0	0	1	50% duty cycle mode (clocked by t_c)
0	1	X	Variable duty cycle mode (clocked by t_c) using Timer 1 underflow
1	0	X	Modulator mode (clocked by t_c)
1	1	X	Modulator mode (clocked by CKI)

Note 17: MC1, MC2 and MC3 control bits are cleared upon reset.

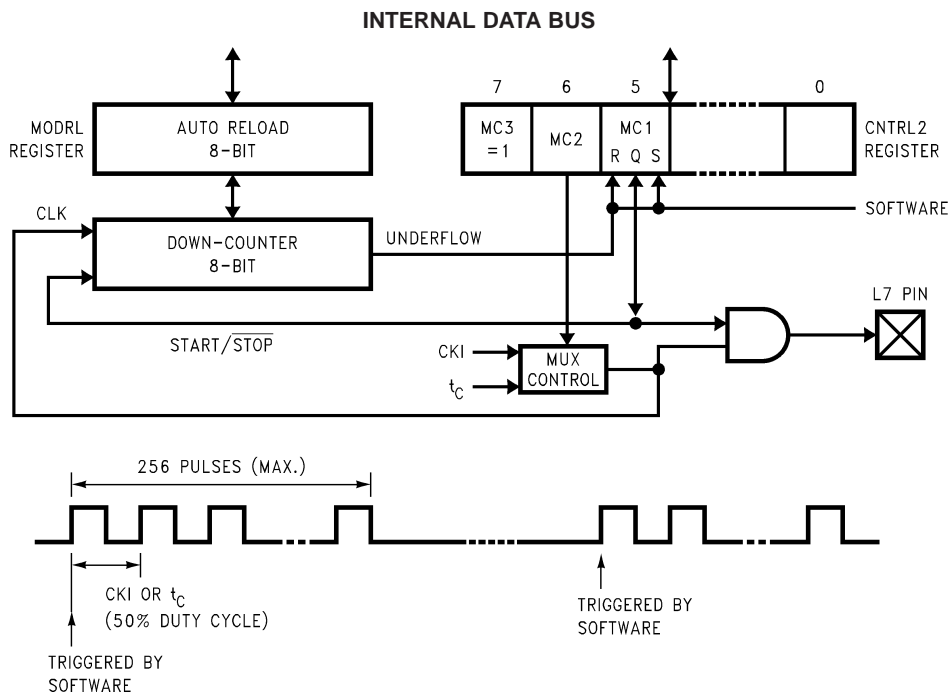


FIGURE 11. Mode 1: Modulator Block Diagram/Output Waveform

DS012851-22

Modulator/Timer (Continued)

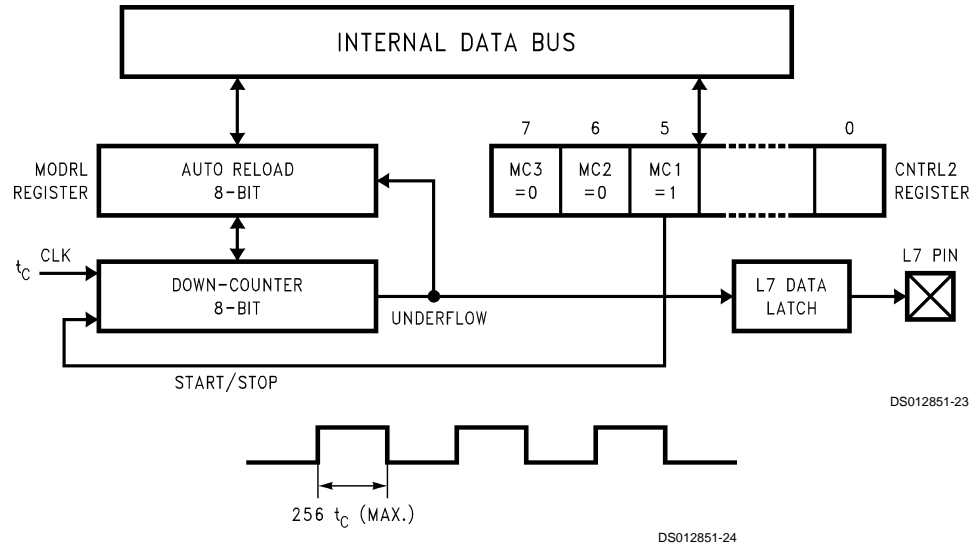


FIGURE 12. Mode 2a: 50% Duty Cycle Output

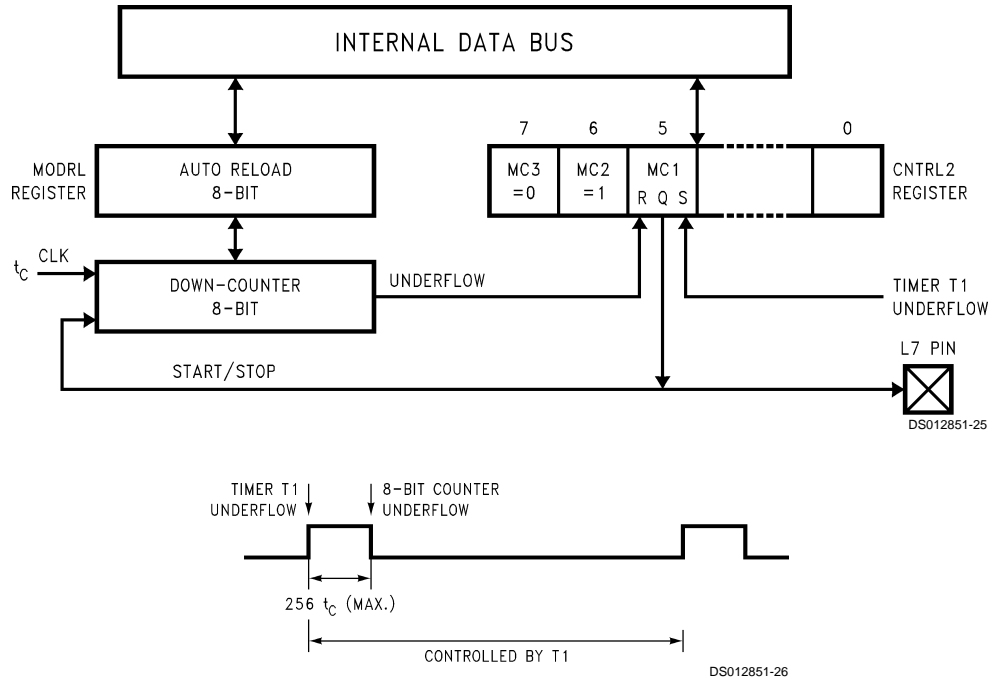


FIGURE 13. Mode 2b: Variable Duty Cycle Output

Comparator

The device has one differential comparator. Ports L0–L2 are used for the comparator. The output of the comparator is brought out to a pin. Port L has the following assignments:

- L0 Comparator output
- L1 Comparator negative input
- L2 Comparator positive input

THE COMPARATOR STATUS/CONTROL BITS

These bits reside in the CNTRL2 Register (Address 0CC)

- CMPEN Enables comparator ("1" = enable)
- CMPRD Reads comparator output internally (CMPEN = 1, CMPOE = X)

CMPOE Enables comparator output to pin L0 ("1" = enable), CMPEN bit must be set to enable this function. If CMPEN = 0, L0 will be 0.

The Comparator Select/Control bits are cleared on RESET (the comparator is disabled). To save power the program should also disable the comparator before the device enters the HALT mode.

The user program must set up L0, L1, and L2 ports correctly for comparator Inputs/Output. L1 and L2 need to be configured as inputs and L0 as output. Table 8 shows the DC and AC characteristics for the comparator.

Comparator (Continued)

TABLE 8. DC and AC Characteristics (Note 18) $4V \leq V_{CC} \leq 6V$, $-40^{\circ}C \leq T_A \leq +85^{\circ}C$

Parameters	Conditions	Min	Typ	Max	Units
Input Offset Voltage	$0.4V < V_{IN} < V_{CC} - 1.5V$		± 10	± 25	mV
Input Common Mode Voltage Range		0.4		$V_{CC} - 1.5$	V
Voltage Gain			300k		V/V
DC Supply Current (when enabled)	$V_{CC} = 6.0V$			250	μA
Response Time	100 mV Overdrive	60	100	140	ns
	500 mV Overdrive	80	125	165	
	1000 mV Overdrive	135	215	300	

Note 18: For comparator output current characteristics see L-Port specs.

Multi-Input Wake-Up

The Multi-Input Wake-Up feature is used to return (wake-up) the device from the HALT mode. Figure 14 shows the Multi-Input Wake-Up logic.

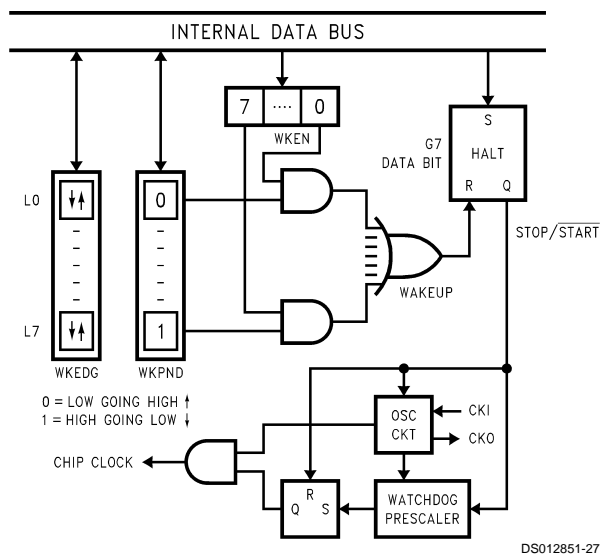


FIGURE 14. Multi-Input Wake-Up Logic

This feature utilizes the L Port. The user selects which particular L port bit or combination of L Port bits will cause the device to exit the HALT mode. Three 8-bit memory mapped registers, Reg:WKEN, Reg:WKEDG, and Reg:WKPND are used in conjunction with the L port to implement the Multi-Input Wake-Up feature.

All three registers Reg:WKEN, Reg:WKPND, and Reg:WKEDG are read/write registers, and are cleared at reset, except WKPND. WKPND is unknown on reset.

The user can select whether the trigger condition on the selected L Port pin is going to be either a positive edge (low to high transition) or a negative edge (high to low transition). This selection is made via the Reg:WKEDG, which is an 8-bit control register with a bit assigned to each L Port pin. Setting the control bit will select the trigger condition to be a negative edge on that particular L Port pin. Resetting the bit selects the trigger condition to be a positive edge. Changing an edge select entails several steps in order to avoid a pseudo wake-up condition as a result of the edge change. First, the associated WKEN bit should be reset, followed by the edge

select change in WKEDG. Next, the associated WKPND bit should be cleared, followed by the associated WKEN bit being re-enabled.

An example may serve to clarify this procedure. Suppose we wish to change the edge select from positive (low going high) to negative (high going low) for L port bit 5, where bit 5 has previously been enabled for an input. The program would be as follows:

```

RBIT 5,WKEN
SBIT 5,WKEDG
RBIT 5,WKPND
SBIT 5,WKEN

```

If the L port bits have been used as outputs and then changed to inputs with Multi-Input Wake-Up, a safety procedure should also be followed to avoid inherited pseudo wake-up conditions. After the selected L port bits have been changed from output to input but before the associated WKEN bits are enabled, the associated edge select bits in WKEDG should be set or reset for the desired edge selects, followed by the associated WKPND bits being cleared. This same procedure should be used following RESET, since the L port inputs are left floating as a result of RESET.

The occurrence of the selected trigger condition for Multi-Input Wake-Up is latched into a pending register called Reg:WKPND. The respective bits of the WKPND register will be set on the occurrence of the selected trigger edge on the corresponding Port L pin. The user has the responsibility of clearing these pending flags. Since the Reg:WKPND is a pending register for the occurrence of selected wake-up conditions, the device will not enter the HALT mode if any wake-up bit is both enabled and pending. Setting the G7 data bit under this condition will not allow the device to enter the HALT mode. Consequently, the user has the responsibility of clearing the pending flags before attempting to enter the HALT mode.

If a crystal oscillator is being used, the wake-up signal will not start the chip running immediately since crystal oscillators have a finite start up time. The WATCHDOG timer prescaler generates a fixed delay to ensure that the oscillator has indeed stabilized before allowing the device to execute instructions. In this case, upon detecting a valid wake-up signal only the oscillator circuitry and the WATCHDOG timer are enabled. The WATCHDOG timer prescaler is loaded with a value of FF Hex (256 counts) and is clocked from the t_c instruction cycle clock. The t_c clock is derived dividing down the oscillator clock by a factor of 10. A Schmitt trigger following the CKI on-chip inverter ensures that the WATCHDOG timer is clocked only when the oscillator has a sufficiently

Multi-Input Wake-Up (Continued)

large amplitude to meet the Schmitt trigger specs. This Schmitt trigger is not part of the oscillator closed loop. The start-up time-out from the WATCHDOG timer enables the clock signals to be routed to the rest of the chip.

Interrupts

The device has a sophisticated interrupt structure to allow easy interface to the real world. There are three possible interrupt sources, as shown below.

A maskable interrupt on external GO input (positive or negative edge sensitive under software control)

A maskable interrupt on timer carry or timer capture

A non-maskable software/error interrupt on opcode zero

INTERRUPT CONTROL

The GIE (global interrupt enable) bit enables the interrupt function. This is used in conjunction with ENI and ENTI to select one or both of the interrupt sources. This bit is reset when interrupt is acknowledged.

ENI and ENTI bits select external and timer interrupts respectively. Thus the user can select either or both source to interrupt the microcontroller when GIE is enabled.

IEDG selects the external interrupt edge (0—rising edge, 1 = falling edge). The user can get an interrupt on both rising and falling edges by toggling the state of IEDG bit after each interrupt.

IPND and TPND bits signal which interrupt is pending. After an interrupt is acknowledged, the user can check these two bits to determine which interrupt is pending. This permits the interrupts to be prioritized under software. The pending flags have to be cleared by the user. Setting the GIE bit high inside the interrupt subroutine allows nested interrupts. The software interrupt does not reset the GIE bit. This means that the controller can be interrupted by other interrupt sources while servicing the software interrupt.

INTERRUPT PROCESSING

The interrupt, once acknowledged, pushes the program counter (PC) onto the stack and the stack pointer (SP) is decremented twice. The Global Interrupt Enable (GIE) bit is reset to disable further interrupts. The microcontroller then vectors to the address 00FFH and resumes execution from that address. This process takes 7 cycles to complete. At end of the interrupt subroutine, any of the following three instructions return the processor back to the main program: RET, RETSK or RETI. Either one of the three instructions will pop the stack into the program counter (PC).

The stack pointer is then incremented twice. The RETI instruction additionally sets the GIE bit to re-enable further interrupts.

Any of the three instructions can be used to return from a hardware interrupt subroutine. The RETSK instruction should be used when returning from a software interrupt subroutine to avoid entering an infinite loop.

Note: There is always the possibility of an interrupt occurring during an instruction which is attempting to reset the GIE bit or any other interrupt enable bit. If this occurs when a single cycle instruction is being used to reset the interrupt enable bit, the interrupt enable bit will be reset but an interrupt may still occur. This is because interrupt processing is started at the same time as the interrupt bit is being reset. To avoid this scenario, the user should always use a two, three, or four cycle instruction to reset interrupt enable bits.

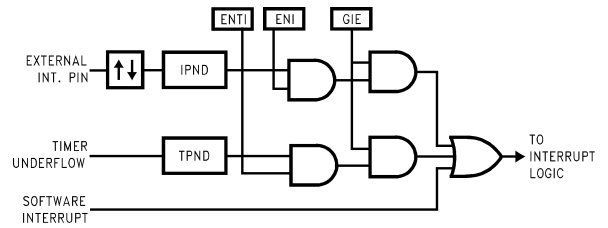


FIGURE 15. Interrupt Block Diagram

DETECTION OF ILLEGAL CONDITIONS

The device incorporates a hardware mechanism that allows it to detect illegal conditions which may occur from coding errors, noise and “brown out” voltage drop situations. Specifically, it detects cases of executing out of undefined ROM area and unbalanced stack situations.

Reading an undefined ROM location returns 00 (hexadecimal) as its contents. The opcode for a software interrupt is also “00”. Thus a program accessing undefined ROM will cause a software interrupt. Reading undefined RAM location returns an FF (hexadecimal). The subroutine stack on the device grows down for each subroutine call. By initializing the stack pointer to the top of RAM, the first unbalanced return instruction will cause the stack pointer to address undefined RAM. As a result the program will attempt to execute from FFFF (hexadecimal), which is an undefined ROM location and will trigger a software interrupt.

Control Registers

CNTRL1 REGISTER (ADDRESS 00EE)

The Timer and MICROWIRE control register contains the following bits:

SL1 and SL0	Select the MICROWIRE clock divide-by (00 = 2, 01 = 4, 1x = 8)
IEDG	External interrupt edge polarity select
MSEL	Selects G5 and G4 as MICROWIRE signals SK and SO respectively
TRUN	Used to start and stop the timer/counter (1 = run, 0 = stop)
TC1	Timer T1 Mode Control Bit
TC2	Timer T1 Mode Control Bit
TC3	Timer T1 Mode Control Bit

TC1	TC2	TC3	TRUN	MSEL	IEDG	SL1	SL0
Bit 7							Bit 0

PSW REGISTER (ADDRESS 00EF)

The PSW register contains the following select bits:

GIE	Global interrupt enable (enables interrupts)
ENI	External interrupt enable
BUSY	MICROWIRE busy shifting flag
PND	External interrupt pending
ENTI	Timer T1 interrupt enable
TPND	Timer T1 interrupt pending (timer Underflow or capture edge)
C	Carry Flip/flop
HC	Half carry Flip/flop

Control Registers (Continued)

HC	C	TPND	ENTI	IPND	BUSY	ENI	GIE
Bit 7							Bit 0

The Half-Carry bit is also effected by all the instructions that effect the Carry flag. The flag values depend upon the instruction. For example, after executing the ADC instruction the values of the Carry and the Half-Carry flag depend upon the operands involved. However, instructions like SET C and RESET C will set and clear both the carry flags. *Table 9* lists the instructions that effect the HC and the C flags.

TABLE 9. Instructions Effecting HC and C Flags

Instr.	HC Flag	C Flag
ADC	Depends on operands	Depends on operands
SUBC	Depends on operands	Depends on operands
SET C	Set	Set
RESET C	Set	Set
RRC	Depends on operands	Depends on operands

CNTRL2 REGISTER (ADDRESS 00CC)

MC3	MC2	MC1	COMPEN	CMPRD	CMPOE	WDUDF	unused
R/W	R/W	R/W	R/W	R/O	R/W	R/O	
Bit 7							Bit 0

MC3 Modulator/Timer Control Bit
 MC2 Modulator/Timer Control Bit
 MC1 Modulator/Timer Control Bit
 COMPEN Comparator Enable Bit
 CMPRD Comparator Read Bit
 CMPOE Comparator Output Enable Bit
 WDUDF WATCHDOG Timer Underflow Bit (Read Only)

WDREN REGISTER (ADDRESS 00CD)

WDRENWATCHDOG Reset Enable Bit (Write Once Only)

UNUSED	WDREN	
Bit 7		Bit 0

Memory Map

All RAM, ports and registers (except A and PC) are mapped into data memory address space.

TABLE 10. Memory Map

ADDRESS	CONTENTS
00–6F	On-Chip RAM bytes (112 bytes)
70–7F	Unused RAM address (Reads as all ones)
80–BF	Unused RAM address (Reads Undefined Data)
C0–C7	Reserved
C8	MIWU Edge Select Register (Reg:WKEDG)

ADDRESS	CONTENTS
C9	MIWU Enable Register (Reg:WKEN)
CA	MIWU Pending Register (Reg:WKPND)
CB	Reserved
CC	Control2 Register (CNTRL2)
CD	WATCHDOG Register (WDREG)
CE	WATCHDOG Counter (WDCNT)
CF	Modulator Reload (MODRL)
D0	Port L Data Register
D1	Port L Configuration Register
D2	Port L input Pins (read only)
D3	Reserved for Port L
D4	Port G Data Register
D5	Port G Configuration Register
D6	Port G Input pins (read only)
D7	Port I Input pins (read only)
D8–DB	Reserved for Port C
DC	Port D Data Register
DD–DF	Reserved for Port D
E0–EF	On-Chip Functions and Registers
E0–E7	Reserved for Future Parts
E8	Reserved
E9	MICROWIRE Shift Register
EA	Timer Lower Byte
EB	Timer Upper Byte
EC	Timer1 Autoreload Register Lower Byte
ED	Timer1 Autoreload Register Upper Byte
EE	CNTRL1 Control Register
EF	PSW Register
F0–FF	On-Chip RAM mapped as Registers
FC	X Register
FD	SP Register
FE	B Register

Reading other unused memory locations will return undefined data.

Addressing Modes

There are ten addressing modes, six for operand addressing and four for transfer of control.

OPERAND ADDRESSING MODES

REGISTER INDIRECT

This is the "normal" addressing mode for the chip. The operand is the data memory addressed by the B or X pointer.

REGISTER INDIRECT WITH AUTO POST INCREMENT OR DECREMENT

This addressing mode is used with the LD and X instructions. The operand is the data memory addressed by the **B** or **X** pointer. This is a register indirect mode that automatically post increments or post decrements the **B** or **X** pointer after executing the instruction.

Addressing Modes (Continued)

DIRECT

The instruction contains an 8-bit address field that directly points to the data memory for the operand.

IMMEDIATE

The instruction contains an 8-bit immediate field as the operand.

SHORT IMMEDIATE

This addressing mode issued with the LD B,# instruction, where the immediate # is < 16. The instruction contains a 4-bit immediate field as the operand.

INDIRECT

This addressing mode is used with the LAID instruction. The contents of the accumulator are used as a partial address (lower 8 bits of PC) for accessing a data operand from the program memory.

TRANSFER OF CONTROL ADDRESSING MODES

RELATIVE

This mode is used for the JP instruction with the instruction field being added to the program counter to produce the next instruction address. JP has a range from -31 to +32 to allow a one byte relative jump (JP + 1 is implemented by a NOP instruction). There are no "blocks" or "pages" when using JP since all 15 bits of the PC are used.

ABSOLUTE

This mode is used with the JMP and JSR instructions with the instruction field of 12 bits replacing the lower 12 bits of the program counter (PC). This allows jumping to any location in the current 4k program memory segment.

ABSOLUTE LONG

This mode is used with the JMPL and JSRL instructions with the instruction field of 15 bits replacing the entire 15 bits of the program counter (PC). This allows jumping to any location in the entire 32k program memory space.

INDIRECT

This mode is used with the JID instruction. The contents of the accumulator are used as a partial address (lower 8 bits of PC) for accessing a location in the program memory. The contents of this program memory location serves as a partial address (lower 8 bits of PC) for the jump to the next instruction.

Instruction Set

REGISTER AND SYMBOL DEFINITIONS

Registers

A	8-bit Accumulator register
B	8-bit Address register
X	8-bit Address register
SP	8-bit Stack pointer register
PC	15-bit Program counter register
PU	Upper 7 bits of PC
PL	Lower 8 bits of PC
C	1-bit of PSW register for carry
HC	1-bit of PSW register for half carry
GIE	1-bit of PSW register for global interrupt enable

Symbols

[B]	Memory indirectly addressed by B register
[X]	Memory indirectly addressed by X register
MD	Direct addressed memory
Mem	Direct addressed memory, or [B]
Meml	Direct addressed memory, [B], or Immediate data
Imm	8-bit Immediate data
Reg	Register memory: addresses F0 to FF (Includes B, X, and SP)
Bit	Bit number (0 to 7)
←	Loaded with
↔	Exchanged with

Instr	Function	Register Operation
ADD	A, Meml	Add $A \leftarrow A + \text{Meml}$
ADC	A, Meml	Add with carry $A \leftarrow A + \text{Meml} + C, C \leftarrow \text{Carry}$
SUBC	A, Meml	Subtract with carry $A \leftarrow A + \overline{\text{Meml}} + C, C \leftarrow \text{Carry}$
AND	A, Meml	Logical AND $A \leftarrow A \text{ and Meml}$
OR	A, Meml	Logical OR $A \leftarrow A \text{ or Meml}$
XOR	A, Meml	Logical Exclusive-OR $A \leftarrow A \text{ xor Meml}$
IFEQ	A, Meml	IF equal Compare A and Meml, Do next if $A = \text{Meml}$
IFGT	A, Meml	IF greater than Compare A and Meml, Do next if $A > \text{Meml}$
IFBNE	#	IF B not equal Do next if lower 4 bits of B not = Imm
DRSZ	Reg	Decrement Reg., skip if zero $\text{Reg} \leftarrow \text{Reg} - 1$, skip if Reg goes to 0
SBIT	#, Mem	Set bit 1 to Mem.bit (bit = 0 to 7 immediate)
RBIT	#, Mem	Reset bit 0 to Mem.bit (bit = 0 to 7 immediate)
IFBIT	#, Mem	If bit If Mem.bit is true, do next instruction
X	A, Mem	Exchange A with memory $A \leftrightarrow \text{Mem}$
LD	A, Meml	Load A with memory $A \leftarrow \text{Meml}$
LD	Mem, Imm	Load Direct memory Immed. $\text{Mem} \leftarrow \text{Imm}$
LD	Reg, Imm	Load Register memory Immed. $\text{Reg} \leftarrow \text{Imm}$
X	A, [B±]	Exchange A with memory [B] $A \leftrightarrow [B] (B \leftarrow B \pm 1)$
X	A, [X±]	Exchange A with memory [X] $A \leftrightarrow [X] (X \leftarrow X \pm 1)$
LD	A, [B±]	Load A with memory [B] $A \leftarrow [B] (B \leftarrow B \pm 1)$
LD	A, [X±]	Load A with memory [X] $A \leftarrow [X] (X \leftarrow X \pm 1)$
LD	[B±], Imm	Load memory immediate $[B] \leftarrow \text{Imm} (B \leftarrow B \pm 1)$
CLRA		Clear A $A \leftarrow 0$
INC		Increment A $A \leftarrow A + 1$
DEC	A	Decrement A $A \leftarrow A - 1$
LAI	A	Load A indirect from ROM $A \leftarrow \text{ROM}(\text{PU}, A)$
DCOR		Decimal Correct A $A \leftarrow \text{BCD correction (follows ADC, SUBC)}$
RRC	A	Rotate right through carry $C \rightarrow A7 \rightarrow \dots \rightarrow A0 \rightarrow C$
SWAP	A	Swap nibbles of A $A7 \dots A4 \leftrightarrow A3 \dots A0$
SC	A	Set C $C \leftarrow 1$
RC		Reset C $C \leftarrow 0$
IFC		If C If C is true, do next instruction
IFNC		If Not C If C is not true, do next instruction
JMPL		Jump absolute long $\text{PC} \leftarrow \text{ii} (\text{ii} = 15 \text{ bits}, 0 \text{ to } 32\text{k})$
JMP		Jump absolute $\text{PC}11 \dots \text{PC}0 \leftarrow i (i = 12 \text{ bits})$ $\text{PC}15 \dots \text{PC}12$ remain unchanged
JP	Addr.	Jump relative short $\text{PC} \leftarrow \text{PC} + r (r \text{ is } -31 \text{ to } +32, \text{ not } 1)$

Instruction Set (Continued)

Instr		Function	Register Operation
JSRL	Addr.	Jump subroutine long	$[SP] \leftarrow PL, [SP-1] \leftarrow PU, SP-2, PC \leftarrow ii$
JSR		Jump subroutine	$[SP] \leftarrow PL, [SP-1] \leftarrow PU, SP-2, PC11.. PC0 \leftarrow ii$
JID	Disp.	Jump indirect	$PL \leftarrow ROM(PU, A)$
RET	Addr.	Return from subroutine	$SP+2, PL \leftarrow [SP], PU \leftarrow [SP-1]$
RETSK	Addr.	Return and skip	$SP+2, PL \leftarrow [SP], PU \leftarrow [SP-1]$, Skip next instruction
RETI		Return from interrupt	$SP+2, PL \leftarrow [SP], PU \leftarrow [SP-1], GIE \leftarrow 1$
INTR		Generate an interrupt	$[SP] \leftarrow PL, [SP-1] \leftarrow PU, SP-2, PC \leftarrow 0FF$
NOP		No operation	$PC \leftarrow PC + 1$

Opcode Table

Upper Nibble Bits 7-4											Lower Nibble Bits 3-0				
F	E	D	C	B	A	9	8	7	6	5	4	3	2	1	0
JP-15	JP-31	LD 0F0, #i	DRSZ 0F0	RRCA	RC	ADC A, #i	ADC A _i [B]	IFBIT 0,[B]	*	LD B, 0F	IFBNE 0	JSR 0000-00FF	JMP 0000-00FF	JP+17	INTR
JP-14	JP-30	LD 0F1, #i	DRSZ 0F1	*	SC	SUBC A, #i	SUBC A _i [B]	IFBIT 1,[B]	*	LD B, 0E	IFBNE 1	JSR 0100-01FF	JMP 0100-01FF	JP+18	JP+2
JP-13	JP-29	LD 0F2, #i	DRSZ 0F2	X	X	IFEQ A, #i	IFEQ A _i [B]	IFBIT A _i [B]	*	LD B, 0D	IFBNE 2	JSR 0200-02FF	JMP 0200-02FF	JP+19	UJP+3
JP-12	JP-28	LD 0F3, #i	DRSZ 0F3	X	X	IFGT A, #i	IFGT A _i [B]	IFBIT 3,[B]	*	LD B, 0C	IFBNE 3	JSR 0300-03FF	JMP 0300-03FF	JP+20	JP+4
JP-11	JP-27	LD 0F4, #i	DRSZ 0F4	*	LAI	ADD A, #i	ADD A _i [B]	IFBIT 4,[B]	CLRA	LD B, 0B	IFBNE 4	JSR 0400-04FF	JMP 0400-04FF	JP+21	JP+5
JP-10	JP-26	LD 0F5, #i	DRSZ 0F5	*	JID	AND A, #i	AND A _i [B]	IFBIT 5,[B]	SWAPA	LD B, 0A	IFBNE 5	JSR 0500-05FF	JMP 0500-05FF	JP+22	JP+6
JP-9	JP-25	LD 0F6, #i	DRSZ 0F6	X A _i [X]	X A _i [B]	XOR A, #i	XOR A _i [B]	IFBIT 6,[B]	DCORA	LD B, 9	IFBNE 6	JSR 0600-06FF	JMP 0600-06FF	JP+23	JP+7
JP-8	JP-24	LD 0F7, #i	DRSZ 0F7	*	*	OR A, #i	OR A _i [B]	IFBIT 7,[B]	*	LD B, 8	IFBNE 7	JSR 0700-07FF	JMP 0700-07FF	JP+24	JP+8
JP-7	JP-23	LD 0F8, #i	DRSZ 0F8	NOP	*	LD A, #i	IFC	SBIT 0,[B]	RBIT 0,[B]	LD B, 7	IFBNE 8	JSR 0800-08FF	JMP 0800-08FF	JP+25	JP+9
JP-6	JP-22	LD 0F9, #i	DRSZ 0F9	*	*	*	IFNC	SBIT 1,[B]	RBIT 1,[B]	LD B, 6	IFBNE 9	JSR 0900-09FF	JMP 0900-09FF	JP+26	JP+10
JP-5	JP-21	LD 0FA, #i	DRSZ 0FA	LD A _i [X+]	LD A _i [B+]	LD [B+], #i	INCA	SBIT 2,[B]	RBIT 2,[B]	LD B, 5	IFBNE 0A	JSR 0A00-0AFF	JMP 0A00-0AFF	JP+27	JP+11
JP-4	JP-20	LD 0FB, #i	DRSZ 0FB	LD A _i [X-]	LD A _i [B-]	LD [B-], #i	DECA	SBIT 3,[B]	RBIT 3,[B]	LD B, 4	IFBNE 0B	JSR 0B00-0BFF	JMP 0B00-0BFF	JP+28	JP+12
JP-3	JP-19	LD 0FC, #i	DRSZ 0FC	LD Md, #i	JMPL	X A, Md	*	SBIT 4,[B]	RBIT 4,[B]	LD B, 3	IFBNE 0C	JSR 0C00-0CFF	JMP 0C00-0CFF	JP+29	JP+13
JP-2	JP-18	LD 0FD, #i	DRSZ 0FD	DIR	JSRL	LD A, Md	RETSK	SBIT 5,[B]	RBIT 5,[B]	LD B, 2	IFBNE 0D	JSR 0D00-0DFF	JMP 0D00-0DFF	JP+30	JP+14
JP-1	JP-17	LD 0FE, #i	DRSZ 0FE	LD A _i [X]	LD A _i [B]	LD [B], #i	RET	SBIT 6,[B]	RBIT 6,[B]	LD B, 1	IFBNE 0E	JSR 0E00-0EFF	JMP 0E00-0EFF	JP+31	JP+15
JP-0	JP-16	LD 0FF, #i	DRSZ 0FF	*	*	*	RETI	SBIT 7,[B]	RBIT 7,[B]	LD B, 0	IFBNE 0F	JSR 0F00-0FFF	JMP 0F00-0FFF	JP+32	JP+16

Where,

i is the immediate data

Md is a directly addressed memory location

* is an unused opcode

Note: The opcode 60 Hex is also the opcode for IFBIT #i,A

Instruction Execution Time

- Most instructions are single byte (with immediate addressing mode instructions requiring two bytes).
- Most single byte instructions take one cycle time to execute.
- Skipped instructions require x number of cycles to be skipped, where x equals the number of bytes in the skipped instruction opcode.

The following tables shows the number of bytes and cycles for each instruction in the format byte/cycle.

Arithmetic and Logic Instructions (Bytes/Cycles)

Instr	[B]	Direct	Immediate
ADD	1/1	3/4	
ADC	1/1	3/4	2/2
SUBC	1/1	3/4	2/2
AND	1/1	3/4	2/2
OR	1/1	3/4	2/2
XOR	1/1	3/4	2/2
IFEQ	1/1	3/4	2/2
IFNE	1/1	3/4	2/2
IFGT	1/1	3/4	2/2
IFBNE	1/1		2/2
DRSZ	1/1	1/3	
SBIT	1/1	3/4	
RBIT	1/1	3/4	
IFBIT	1/1	3/4	

Instructions Using A and C (Bytes/Cycles)

Instr	Bytes/Cycles
CLRA	1/1
INCA	1/1
DECA	1/1
LAI	1/3
DCOR	1/1
RRCA	1/1
SWAPA	1/1
SC	1/1
RC	1/1
IFC	1/1
IFNC	1/1

Transfer of Control Instructions (Bytes/Cycles)

Instr	Bytes/Cycles
JMPL	3/4
JMP	2/3
JP	1/3
JSRL	3/5
JSR	2/5
JID	1/3
RET	1/5
RETSK	1/5
RETI	1/5
INTR	1/7
NOP	1/1

Memory Transfer Instructions (Bytes/Cycles)

Instr	Register Indirect		Direct	Immed.	Register Indirect Auto Incr and Decr	
	[B]	[X]			[B+, B-]	[X+, X-]
X A, (Note 19)	1/1		2/3		1/2	
LD A, (Note 19)	1/1		2/3		1/2	
LD B,Imm		1/3		2/2		1/3
LD B,Imm		1/3		1/1 (Note 20)		1/3
LD Mem,Imm			3/3	2/3 (Note 21)	2/2	
LD Reg,Imm	2/2		2/3			

Note 19: Memory location addressed by B or X or directly

Note 20: IF B < 16

Note 21: IF B > 15

Mask Option

The mask programmable options are listed below. The options are programmed at the same time as the ROM pattern to provide the user with hardware flexibility to use a variety of oscillator configurations and the Brown Out feature.

The following option information is to be sent to National along with the EPROM. Contact the sales office for more details.

OPTION 1: CKI INPUT

- = 1 Crystal (CKI/10) G7/CKO for crystal configuration
- = 2 External (CKI/10) G7 available as input
- = 3 R/C (CKI/10) G7 available as input

OPTION 2: "Brown Out"

- = 1 Enable Brown Out Detection
- = 2 Disable Brown Out Detection

OPTION 3: BONDING

- = 1 28-Pin DIP/SO Package
- = 2 20-Pin DIP/SO Package

How to Order

To order a complete development package, select the section for the microcontroller to be developed and order the parts listed. Contact the sales office for more details.

Development Support

SUMMARY

- iceMASTER™: IM-COP8/400— Full feature in-circuit emulation for all COP8 products. A full set of COP8 Basic and Feature Family device and package specific probes are available.
- COP8 Debug Module: Moderate cost in-circuit emulation and development programming unit.
- COP8 Evaluation and Programming Unit: EPU-COP880C— low cost In-circuit simulation and development programming unit.
- Assembler: COP8-DEV-IBMA. A DOS installable cross development Assembler, Linker, Librarian and Utility Software Development Tool Kit.
- C Compiler: COP8C. A DOS installable cross development Software Tool Kit.
- OTP/EPROM Programmer Support: Covering needs from engineering prototype, pilot production to full production environments.

Development Support (Continued)

IceMASTER (IM) IN-CIRCUIT EMULATION

The iceMASTER IM-COP8/400 is a full feature, PC based, in-circuit emulation tool developed and marketed by MetaLink Corporation to support the whole COP8 family of products. National is a resale vendor for these products.

See *Figure 16* for configuration.

The iceMASTER IM-COP8/400 with its device specific COP8 Probe provides a rich feature set for developing, testing and maintaining product:

- Real-time in-circuit emulation; full 2.4VDC–5.5VDC operation range, full DC-10 MHz clock. Chip options are programmable or jumper selectable.
- Direct connection to application board by package compatible socket or surface mount assembly.
- Full 32 kbyte of loadable programming space that overlays (replaces) the on-chip ROM or EPROM. On-chip RAM and I/O blocks are used directly or recreated on the probe as necessary.
- Full 4k frame synchronous trace memory. Address, instruction, and 8 unspecified, circuit connectable trace lines. Display can be HLL source (e.g., C source), assembly or mixed.
- A full 64k hardware configurable break, trace on, trace off control, and pass count increment events.
- Tool set integrated interactive symbolic debugger—supports both assembler (COFF) and C Compiler (.COD) linked object formats.
- Real time performance profiling analysis; selectable bucket definition.

- Watch windows, content updated automatically at each execution break.
- Instruction by instruction memory/register changes displayed on source window when in single step operation.
- Single base unit and debugger software reconfigurable to support the entire COP8 family; only the probe personality needs to change. Debugger software is processor customized, and reconfigured from a master model file.
- Processor specific symbolic display of registers and bit level assignments, configured from master model file.
- Halt/Idle mode notification.
- On-line HELP customized to specific processor using master model file.
- Includes a copy of COP8-DEV-IBMA assembler and linker SDK.

IM Order Information

Base Unit	
IM-COP8/400-1	iceMASTER Base Unit, 110V Power Supply
IM-COP8/400-2	iceMASTER Base Unit, 220V Power Supply
iceMASTER Probe	
MHW-840CJ28DWPC	28 DIP
MHW-840CJ20DWPC	20 DIP
MHW-SOIC28	28 SOIC Adapter Kit
MHW-SOIC20	20 SOIC Adapter Kit

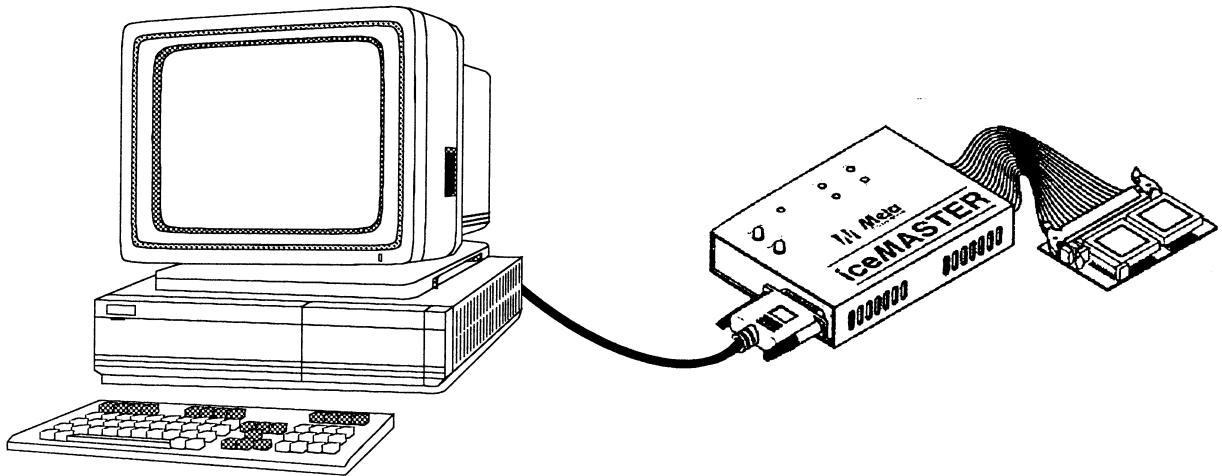


FIGURE 16. COP8 iceMASTER Environment

DS012851-29

Development Support (Continued)

IceMASTER DEBUG MODULE (DM)

The iceMASTER Debug Module is a PC based, combination in-circuit emulation tool and COP8 based OTP/EPROM programming tool developed and marketed by MetaLink Corporation to support the whole COP8 family of products. National is a resale vendor for these products.

See *Figure 17* for configuration.

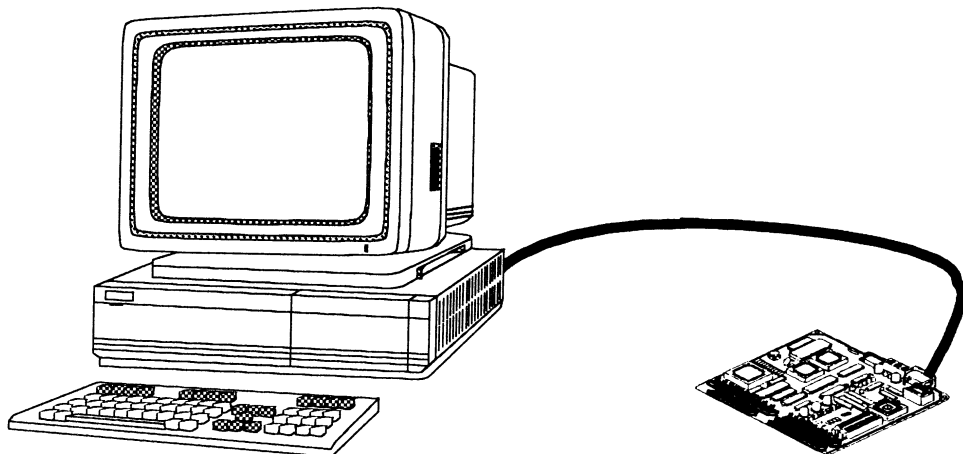
The iceMASTER Debug Module is a moderate cost development tool. It has the capability of in-circuit emulation for a specific COP8 microcontroller and in addition serves as a programming tool for COP8 OTP and EPROM product families. Summary of features is as follows:

- Real-time in-circuit emulation; full operating voltage range operation, full DC-10 MHz clock.
- All processor I/O pins can be cabled to an application development board with package compatible cable to socket and surface mount assembly.
- Full 32 kbytes of loadable programming space that overlays (replaces) the on-chip ROM or EPROM. On-chip RAM and I/O blocks are used directly or recreated as necessary.
- 100 frames of synchronous trace memory. The display can be HLL source (C source), assembly or mixed. The most recent history prior to a break is available in the trace memory.
- Configured break points; uses INTR instruction which is modestly intrusive.
- Software—only supported features are selectable.
- Tool set integrated interactive symbolic debugger—supports both assembler (COFF) and C Compiler (.COD) SDK linked object formats.
- Instruction by instruction memory/register changes displayed when in single step operation.

- Debugger software is processor customized, and reconfigured from a master model file.
- Processor specific symbolic display of registers and bit level assignments, configured from master model file.
- Halt/Idle mode notification.
- Programming menu supports full product line of programmable OTP and EPROM COP8 products. Program data is taken directly from the overlay RAM.
- Programming of 44 PLCC and 68 PLCC parts requires external programming adapters.
- Includes wall mount power supply.
- On-board V_{PP} generator from 5V input or connection to external supply supported. Requires V_{PP} level adjustment per the family programming specification (correct level is provided on an on-screen pop-down display).
- On-line HELP customized to specific processor using master model file.
- Includes a copy of COP8-DEV-IBMA assembler and linker SDK.

DM Order Information

Debug Module Unit	
COP8-DM/840CJ	
Cable Adapters	
DM-COP8/28D	28 DIP cable
DM-COP8/28D-SO	28 DIP to 28 SOIC adapter
DM-COP8/20D	20 DIP cable
DM-COP8/20D-SO	20 DIP to 20 SOIC adapter



DS012851-30

FIGURE 17. COP8-DM Environment

Development Support (Continued)

COP8 ASSEMBLER/LINKER SOFTWARE DEVELOPMENT TOOL KIT

National Semiconductor offers a relocateable COP8 macro cross assembler, linker, librarian and utility software development tool kit. Features are summarized as follows:

- Basic and Feature Family instruction set by "device" type.
- Nested macro capability.
- Extensive set of assembler directives.
- Supported on PC/DOS platform.
- Generates National standard COFF output files.
- Integrated Linker and Librarian.
- Integrated utilities to generate ROM code file outputs.
- DUMPCOFF utility.

This product is integrated as a part of MetaLink tools as a development kit, fully supported by the MetaLink debugger. It may be ordered separately or it is bundled with the MetaLink products at no additional cost.

Order Information

Assembler SDK	
COP8-DEV-IBMA	Assembler SDK on installable 3.5" PC/DOS Floppy Disk Drive format. Periodic upgrades and most recent version is available on National's BBS and Internet

Approved List

Manufacturer	North America	Europe	Asia
BP Microsystems	(800) 225-2102 (713) 688-4600 Fax: (713) 688-0920	+49-8152-4183 +49-8856-932616	+852-234-16611 +852-2710-8121
Data I/O	(800) 426-1045 (206) 881-6444 Fax: (206) 882-1043	+44-0734-440011	Call North America
HI-LO	(510) 623-8860	Call Asia	+886-2-764-0215 Fax: +886-2-756-6403
ICE Technology	(800) 624-8949 (919) 430-7915	+44-1226-767404 Fax: 0-1226-370-434	
MetaLink	(800) 638-2423 (602) 926-0797 Fax: (602) 693-0681	+49-80 9156 96-0 Fax: +49-80 9123 86	+852-737-1800
Systems General	(408) 263-6667	+41-1-9450300	+886-2-917-3005 Fax: +886-2-911-1283
Needhams	(916) 924-8037 Fax: (916) 924-8065		

COP8 C COMPILER

A C Compiler is developed and marketed by Byte Craft Limited. The COP8C compiler is a fully integrated development tool specifically designed to support the compact embedded configuration of the COP8 family of products.

Features are summarized as follows:

- ANSI C with some restrictions and extensions that optimize development for the COP8 embedded application.
- BITS data type extension. Register declaration #pragma with direct bit level definitions.
- C language support for interrupt routines.
- Expert system, rule based code generation and optimization.
- Performs consistency checks against the architectural definitions of the target COP8 device.
- Generates program memory code.
- Supports linking of compiled object or COP8 assembled object formats.
- Global optimization of linked code.
- Symbolic debug load format fully source level supported by the MetaLink debugger.

INDUSTRY WIDE OTP/EPROM PROGRAMMING SUPPORT

Programming support, in addition to the MetaLink development tools, is provided by a full range of independent approved vendors to meet the needs from the engineering laboratory to full production.

Development Support (Continued)

AVAILABLE LITERATURE

For more information, please see the COP8 Basic Family User's Manual, Literature Number 620895, COP8 Feature Family User's Manual, Literature Number 620897 and National's Family of 8-bit Microcontrollers COP8 Selection Guide, Literature Number 630009.

DIAL-A-HELPER SERVICE

Dial-A-Helper is a service provided by the Microcontroller Applications group. The Dial-A-Helper is an Electronic Information System that may be accessed as a Bulletin Board System (BBS) via data modem, as an FTP site on the Internet via standard FTP client application or as an FTP site on the Internet using a standard Internet browser such as Netscape or Mosaic.

The Dial-A-Helper system provides access to an automated information storage and retrieval system. The system capabilities include a MESSAGE SECTION (electronic mail, when accessed as a BBS) for communications to and from the Microcontroller Applications Group and a FILE SECTION which consists of several file areas where valuable application software and utilities could be found.

DIAL-A-HELPER BBS via a Standard Modem

Modem: CANADA/U.S.: (800) NSC-MICRO
(800) 672-6427
EUROPE: (+49) 0-8141-351332
Baud: 14.4k
Set-up: Length: 8-Bit
Parity: None
Stop Bit: 1
Operation: 24 Hrs., 7 Days

DIAL-A-HELPER via FTP

ftp nscmicro.nsc.com
user: anonymous
password: username@yourhost.site.domain

DIAL-A-HELPER via a WorldWide Web Browser

ftp://nscmicro.nsc.com

National Semiconductor on the WorldWide Web

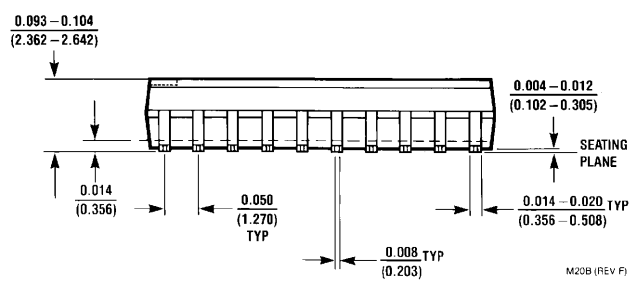
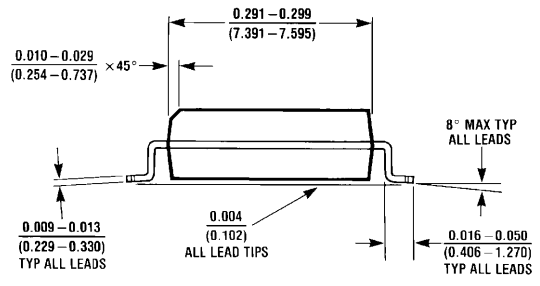
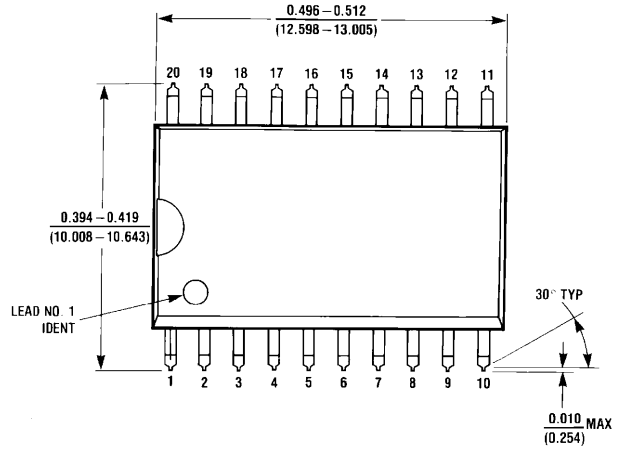
See us on the WorldWide Web at: <http://www.national.com>

CUSTOMER RESPONSE CENTER

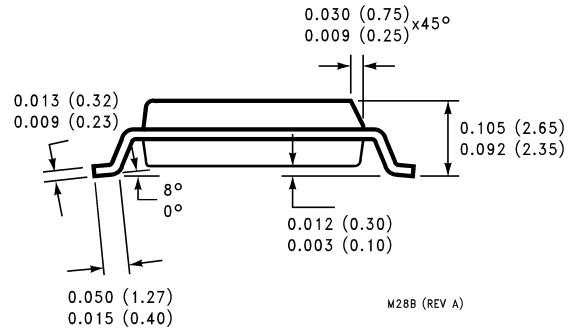
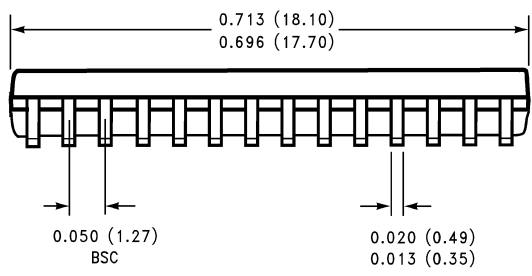
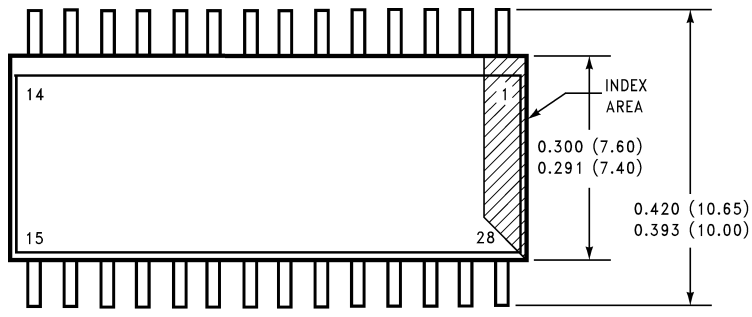
Complete product information and technical support is available from National's customer response centers.

CANADA/U.S.:	Tel:	(800) 272-9959
	email:	support@tevm2.nsc.com
EUROPE:	email:	europa.support@nsc.com
	Deutsch Tel:	+49 (0) 180-530 85 85
	English Tel:	+49 (0) 180-532 78 32
	Français Tel:	+49 (0) 180-532 93 58
	Italiano Tel:	+49 (0) 180-534 16 80
JAPAN:	Tel:	+81-043-299-2309
S.E. ASIA:	Beijing Tel:	(+86) 10-6856-8601
	Shanghai Tel:	(+86) 21-6415-4092
	Hong Kong Tel:	(+852) 2737-1600
	Korea Tel:	(+82) 2-3771-6909
	Malaysia Tel:	(+60-4) 644-9061
	Singapore Tel:	(+65) 255-2226
	Taiwan Tel:	+886-2-521-3288
AUSTRALIA:	Tel:	(+61) 3-9558-9999
INDIA:	Tel:	(+91) 80-559-9467

Physical Dimensions inches (millimeters) unless otherwise noted

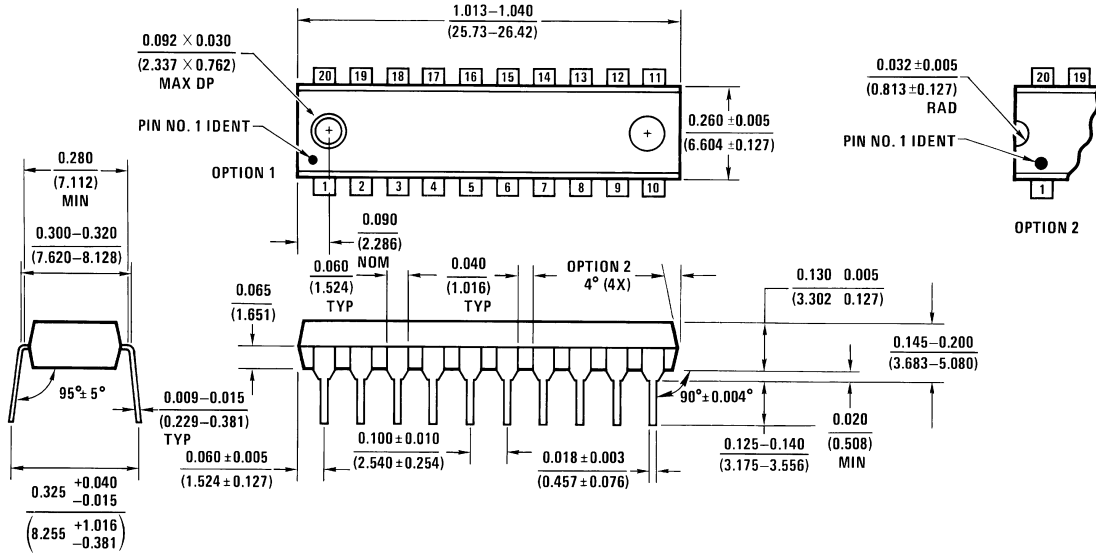


Order Number COP842CJ-XXX/M or COP942CJ-XXX/M
NS Package Number M20B

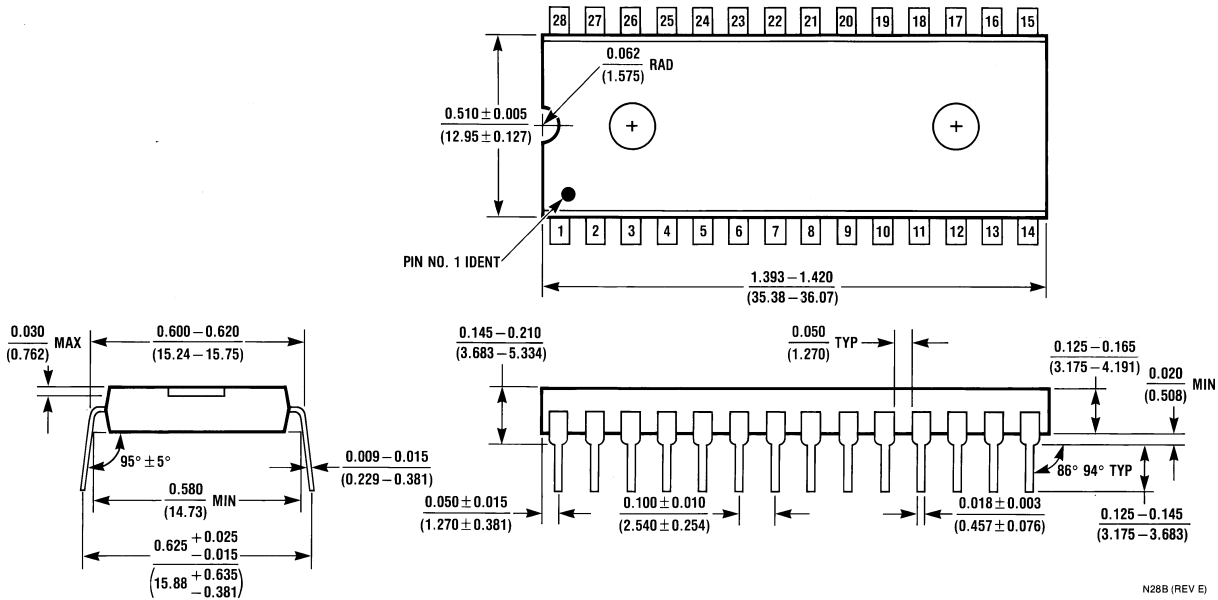


Order Number COP840CJ-XXX/M or COP940CJ-XXX/M
NS Package Number M28B

Physical Dimensions inches (millimeters) unless otherwise noted (Continued)



Order Number COP842CJ-XXX/N or COP942CJ-XXX/N
NS Package Number N20A



Order Number COP840CJ-XXX/N or COP940CJ-XXX/N
NS Package Number N28B

Notes

LIFE SUPPORT POLICY

NATIONAL'S PRODUCTS ARE NOT AUTHORIZED FOR USE AS CRITICAL COMPONENTS IN LIFE SUPPORT DEVICES OR SYSTEMS WITHOUT THE EXPRESS WRITTEN APPROVAL OF THE PRESIDENT AND GENERAL COUNSEL OF NATIONAL SEMICONDUCTOR CORPORATION. As used herein:

1. Life support devices or systems are devices or systems which, (a) are intended for surgical implant into the body, or (b) support or sustain life, and whose failure to perform when properly used in accordance with instructions for use provided in the labeling, can be reasonably expected to result in a significant injury to the user.
2. A critical component is any component of a life support device or system whose failure to perform can be reasonably expected to cause the failure of the life support device or system, or to affect its safety or effectiveness.



National Semiconductor Corporation
Americas
Tel: 1-800-272-9959
Fax: 1-800-737-7018
Email: support@nsc.com

www.national.com

National Semiconductor Europe
Fax: +49 (0) 1 80-530 85 86
Email: europe.support@nsc.com
Deutsch Tel: +49 (0) 1 80-530 85 85
English Tel: +49 (0) 1 80-532 78 32
Français Tel: +49 (0) 1 80-532 93 58
Italiano Tel: +49 (0) 1 80-534 16 80

National Semiconductor Asia Pacific Customer Response Group
Tel: 65-2544466
Fax: 65-2504466
Email: sea.support@nsc.com

National Semiconductor Japan Ltd.
Tel: 81-3-5639-7560
Fax: 81-3-5639-7507