

Multi-Purpose Audio/Video Embedded Processor

Features

- Dual 32-bit RISC processors (81 MIPS each)
- 32-bit DSP (81 MIPS)
- Digital video input for Picture-in-Picture (PIP)
- On-screen display generator
- 8-bit graphic engine with advanced vertical flicker filter
- Programmable audio decoder
- MPEG1 & MPEG2 video decoder
- System interface supports ATAPI CD loaders and hard disk drives
- Host interface supports peripherals such as 10/100 Ethernet controllers, DSPs, etc.
- V.90 soft-modem support
- AC'97 link support
- 2 channels of audio input
- 8 channels of audio output
- 2 channel IEC60958 transmitter
- Remote control input support
- Large number of GPIO increases design flexibility
- On-chip PLLs generate system clocks from 27 MHz
- SDRAM, SGRAM, and Flash memory support
- Available in a 208 pin MQFP

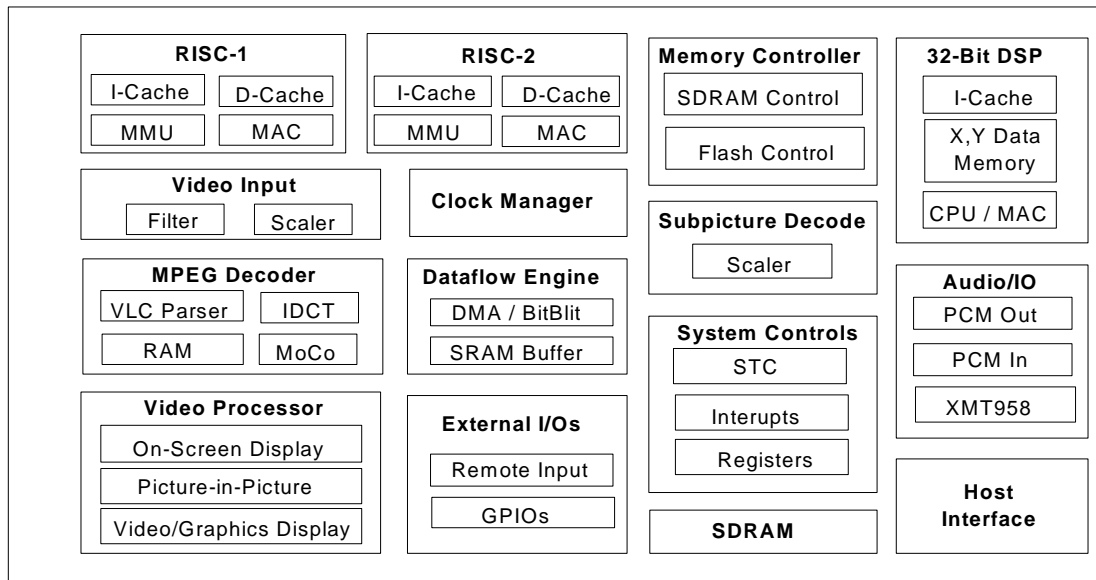
Description

The CS7808 processor is a single chip solution that provides all of the processing functions you need for a broad range of audio and video applications including thin media clients, CD recorders, advanced set-top boxes, interactive TV and much more. It supports all CD formats, disk control, video decoding and up to eight channels of output. Achieve new levels of performance with 240 highly configurable MIPS of processing power. Its flexible set of design features maximizes performance, reduces system complexity, and minimizes system cost. CS7808 is the perfect choice.

Working on your next consumer entertainment product design? Combine CS7808 with other Cirrus mixed-signal converters, DSP chips, and factory firmware for a highly integrated platform crucial for Video-on-demand, set-top boxes, and other similar platforms. CS7808 is a Total-E™ (Total Entertainment) IC solution specifically designed for consumer entertainment electronics.

ORDERING INFORMATION

CS7808-CM 0° to 70° C 208-pin MQFP



Preliminary Product Information

This document contains information for a new product. Cirrus Logic reserves the right to modify this product without notice.

TABLE OF CONTENTS

1. CHARACTERISTICS AND SPECIFICATIONS	5
1.1 AC and DC Parametric Specifications	5
1.1.1 Absolute Maximum Rating	5
1.1.2 Recommended Operating Conditions	5
1.1.3 Electrical Characteristics	6
1.2 DC Characteristics	7
1.2.1 Host Interface	7
1.2.2 SDRAM Interface	8
1.2.3 ROM/NVRAM Interface	10
1.2.4 Video Output Interface	11
1.2.5 Video Input Interface	12
1.2.6 Audio Input Interface	13
1.2.7 Audio Output Interface	14
1.2.8 AC97/CODEC Interface	15
1.2.9 Miscellaneous Interface Timing	16
2. TYPICAL APPLICATION	17
3. FUNCTIONAL DESCRIPTION	18
3.1 Block Diagram	18
3.2 CS7808 Device Details	18
3.2.1 RISC-32 Processors	18
3.2.2 Powerful 32-Bit DSP	18
3.2.3 System Controls	18
3.2.4 Memory Controller	19
3.2.5 Data Flow Engine	19
3.2.6 Audio Interface	19
3.2.7 Video Input	19
3.2.8 External Interface	19
3.2.9 Video Processor	19
3.2.10 Cursor	19
3.2.11 System Functions	20
3.3 RISC Processor	20
3.4 DSP Processor	20
3.5 Memory Control	20
3.6 Dataflow Control (DMA)	20
3.7 System Control Functions	20

Contacting Cirrus Logic Support

For a complete listing of Direct Sales, Distributor, and Sales Representative contacts, visit the Cirrus Logic web site at:
<http://www.cirrus.com/corporate/contacts/>

Preliminary product information describes products which are in production, but for which full characterization data is not yet available. Advance product information describes products which are in development and subject to development changes. Cirrus Logic, Inc. has made best efforts to ensure that the information contained in this document is accurate and reliable. However, the information is subject to change without notice and is provided "AS IS" without warranty of any kind (express or implied). Customers are advised to obtain the latest version of relevant information to verify, before placing orders, that information being relied on is current and complete. All products are sold subject to the terms and conditions of sale supplied at the time of order acknowledgment, including those pertaining to warranty, patent infringement, and limitation of liability. No responsibility is assumed by Cirrus Logic, Inc. for the use of this information, including use of this information as the basis for manufacture or sale of any items, nor for infringements of patents or other rights of third parties. This document is the property of Cirrus Logic, Inc. and by furnishing this information, Cirrus Logic, Inc. grants no license, express or implied under any patents, mask work rights, copyrights, trademarks, trade secrets or other intellectual property rights of Cirrus Logic, Inc. Cirrus Logic, Inc., copyright owner of the information contained herein, gives consent for copies to be made of the information only for use within your organization with respect to Cirrus Logic integrated circuits or other parts of Cirrus Logic, Inc. The same consent is given for similar information contained on any Cirrus Logic web site or disk. This consent does not extend to other copying such as copying for general distribution, advertising or promotional purposes, or for creating any work for resale. The names of products of Cirrus Logic, Inc. or other vendors and suppliers appearing in this document may be trademarks or service marks of their respective owners which may be registered in some jurisdictions. A list of Cirrus Logic, Inc. trademarks and service marks can be found at <http://www.cirrus.com>.

Purchase of I2C components of Cirrus Logic, Inc., or one of its sublicensed Associated Companies conveys a license under the Phillips I2C Patent Rights to use those components in a standard I2C system.

3.8 Host Interface	21
3.9 MPEG Video Decoding	21
3.10 Audio Processing	21
3.11 Soft Modem	21
3.12 Video	21
4. MEMORY MAP	23
4.1 Processor Memory Map	23
4.2 Host Port Memory Map	23
4.3 Internal I/O Space Map	23
5. REGISTER DESCRIPTION	24
5.1 CS7808 Register Space	24
6. PIN DESCRIPTION	33
6.1 Pin Assignments	34
6.2 Miscellaneous Interface Pins	40
6.3 SDRAM Interface	41
6.4 ROM/NVRAM Interface	42
6.5 Video Output Interface	43
6.6 Video Input Interface	44
6.7 Audio Output/Input Interface	45
6.8 AC97/CODEC Interface	46
6.9 Host Master/ATAPI Interface	47
6.10 General Purpose Input/Output (GPIO)	48
6.11 Power and Ground	49
7. PACKAGE SPECIFICATIONS	50

LIST OF FIGURES

Figure 1. Host Timing Diagram	7
Figure 2. SDRAM Refresh Transaction	8
Figure 3. SDRAM Burst Write Transaction	8
Figure 4. SDRAM Burst Read Transaction	9
Figure 5. SDRAM Timing	9
Figure 6. ROM/RVRAM Timing.....	10
Figure 7. Video Output Timing.....	11
Figure 8. Video Input Timing.....	12
Figure 9. Audio Input Timings.....	13
Figure 10. Audio Output Timing.....	14
Figure 11. CODEC Timing.....	15
Figure 12. Miscellaneous Timing	16
Figure 13. CS7808 Typical Application.....	17
Figure 14. CS7808 Block Diagram	18
Figure 15. CS7808 Pinouts.....	33
Figure 16. 208-Pin Package Drawing	50

LIST OF TABLES

Table 1. Host Interface Symbols / Characterization Data	7
Table 2. SDRAM Interface Symbols and Characterization Data	8
Table 3. ROM/NVRAM Interface Symbols and Characterization Data	10
Table 4. Video Output Interface Symbols and Characterization Data	11
Table 5. Video Input Interface Symbols and Characterization Data	12
Table 6. Audio Input Interface Symbols and Characterization Data	13
Table 8. AC97/CODEC Interface Symbols and Characterization Data	15

Table 9. Miscellaneous Interface Symbols and Characterization Data.....	16
Table 10. Memory Map-RISC0 Processor	23
Table 11. Host Port Memory Map	23
Table 12. Internal I/O Space Map	23
Table 13. CS7808 Register Map and Blocks	24
Table 14. CS7808 Registers	24
Table 15. Pin Type Legend.....	33
Table 16. 208-Pin Package Assignments	34
Table 17. Miscellaneous Interface Pins	40
Table 18. SDRAM Interface	41
Table 19. ROM/NVRAM Interface.....	42
Table 20. Video Output Interface	43
Table 21. Video Input Interface	44
Table 22. Audio Input/Output Interface	45
Table 23. AC97/CODEC Interface	46
Table 24. Host Master/ATAPI Interface	47
Table 25. General Purpose I/O Interface	48
Table 26. Power and Ground	49

1. CHARACTERISTICS AND SPECIFICATIONS

1.1 AC AND DC PARAMETRIC SPECIFICATIONS

(AGND, DGND=0V, all voltages with respect to 0V)

1.1.1 ABSOLUTE MAXIMUM RATING

Symbol	Description	Min	Max	Unit
VDD _{IO}	Power Supply Voltage on I/O ring	-0.5	4.6	Volts
VDD _{CORE}	Power Supply Voltage on core logic and PLL	-0.5	3.6	Volts
V _I	Digital Input Applied Voltage (power applied)	-0.5	5.5	Volts
I _I	Digital Input Forced Current	-10	10	mA
I _O	Digital Output Forced Current	-50	50	mA
T _{SOL}	Lead Soldering Temperature	-	260	°C
T _{VSOL}	Vapor Phase Soldering Temperature	-	220	°C
T _{STOR}	Storage Temperature (no power applied)	-40	125	°C
T _{AMB}	Ambient Temperature (power applied)	0	70	°C
P _{total}	Total Power consumption	-	2.5	W

CAUTION: Operating beyond these Minimum and Maximum limits can result in permanent damage to the device. Cirrus Logic recommends that CS7808 devices operate at the settings described in the next table.

1.1.2 RECOMMENDED OPERATING CONDITIONS

Parameter	Symbol	Min	Typ	Max	Units
Supply Voltage, IO	V _{DD}	3.0	3.3	3.6	Volts
Supply Voltage, core and PLL	V _{DD}	2.25	2.5	2.75	Volts
Ambient Temperature (power applied)	T _{AMB}	0	25	70	°C

1.1.3 ELECTRICAL CHARACTERISTICS

Parameter	Symbol	Conditions	Min	Typ	Max	Units
Supply Current, IO	I_{DD}	Normal Operating	-	45	-	mA
Supply Current, core and PLL	I_{DD}	Normal Operating	-	550	-	mA
Input Voltage, High	V_{IH}		2.0	-	5.0	Volts
Input Voltage, Low	V_{IL}		-	-	0.8	Volts
Input Current	I_{IN}	$V_{IN} = V_{DD}$ or V_{SS}	-1	-	+1	μ A
Input Pull up/down resistor	R_I		-	75	-	K Ω
Output Voltage, High	V_{OH}	@ buffer rating	2.4	-	-	Volts
Output Voltage, Low	V_{OL}	@ buffer rating	-	-	0.4	Volts
High-Z Leakage	I_{OZ}	$V_{OUT} = V_{SS}$ or V_{DD}	-10	-	+10	μ A
Input Capacitance	C_{IN}		-	3	-	pF

1.2.2 SDRAM Interface

CS7808 interfaces with either SDRAM or SGRAM for high data bandwidth transfer. Figure 2 shows the refresh cycle performed by CS7808. Figure 3 shows a burst write (length = 8) transaction. Figure 4 on page 9 shows a burst read (length = 8) transaction, while Figure 5 on page 9 shows detailed SDRAM interface timing. In both Figure 3 and Figure 4, CAS latency is programmed to 3.

Symbol	Description	Min	Typ	Max	Unit
t_{msur}	M_D[31:0] setup to M_CKO	3			ns
t_{mhr}	M_D[31:0] hold time after M_CKO	0			ns
t_{mco}	M_CKO active edge to Output transition			7	ns
t_{mper}	M_CKO Period ¹	10.5	12.2		ns
t_{mhw}	M_D[31:0] valid time after M_CKO	5			ns
t_{mdow}	M_D[31:0] delay from M_CKO rising edge			5	ns

Table 2. SDRAM Interface Characteristics

1. Values are guaranteed by design only.

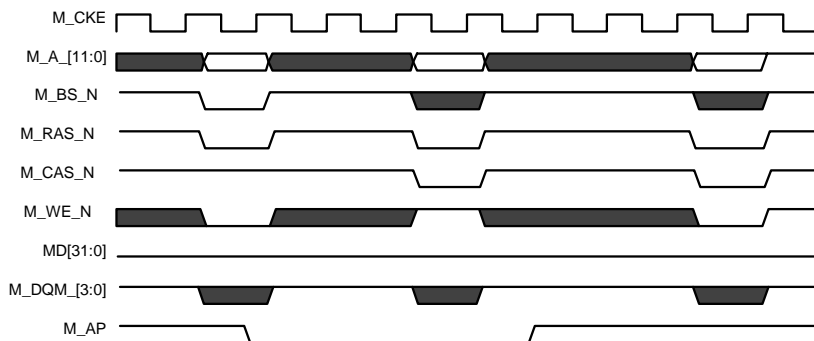


Figure 2. SDRAM Refresh Transaction

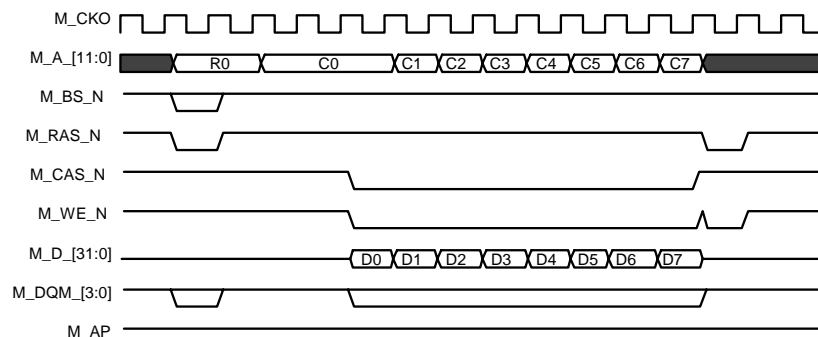


Figure 3. SDRAM Burst Write Transaction

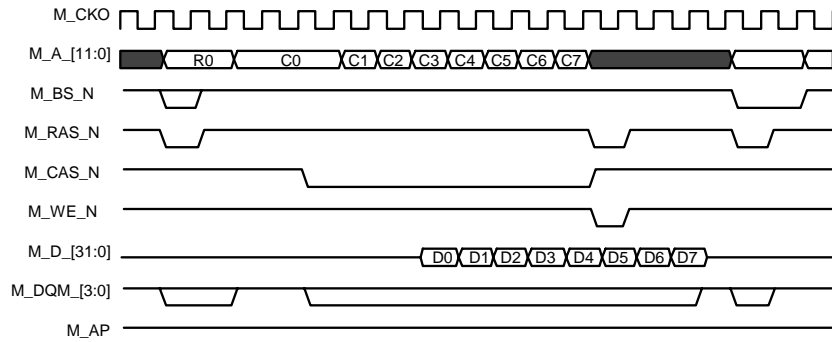


Figure 4. SDRAM Burst Read Transaction

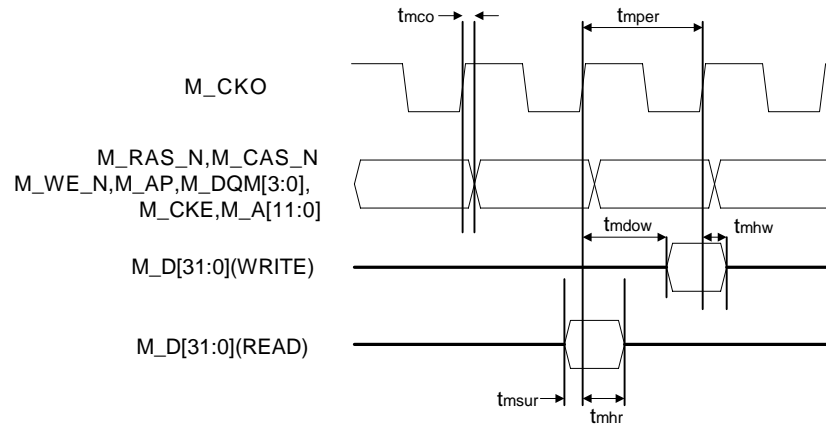


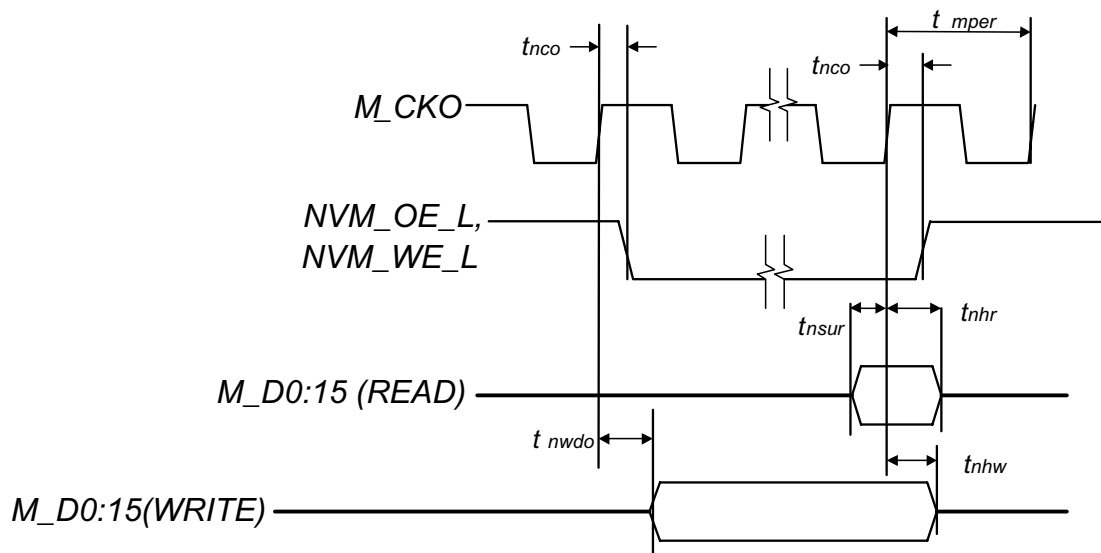
Figure 5. SDRAM Timing

1.2.3 ROM/NVRAM Interface

Symbol	Description	Min	Typ	Max	Unit
t_{mper}	M_CKO period ¹	10.5	12.2		ns
t_{nco}	M_CKO to WE or OE out			5	ns
t_{nwdo}	M_CKO to write data out			10	ns
t_{nsur}	Data setup to M_CKO	5			ns
t_{nhw}	Data hold from WE inactive	5			ns
t_{nhr}	Data hold from OE inactive	0			ns

Table 3. ROM/NVRAM Interface Characteristics

1. Values are guaranteed by design only.

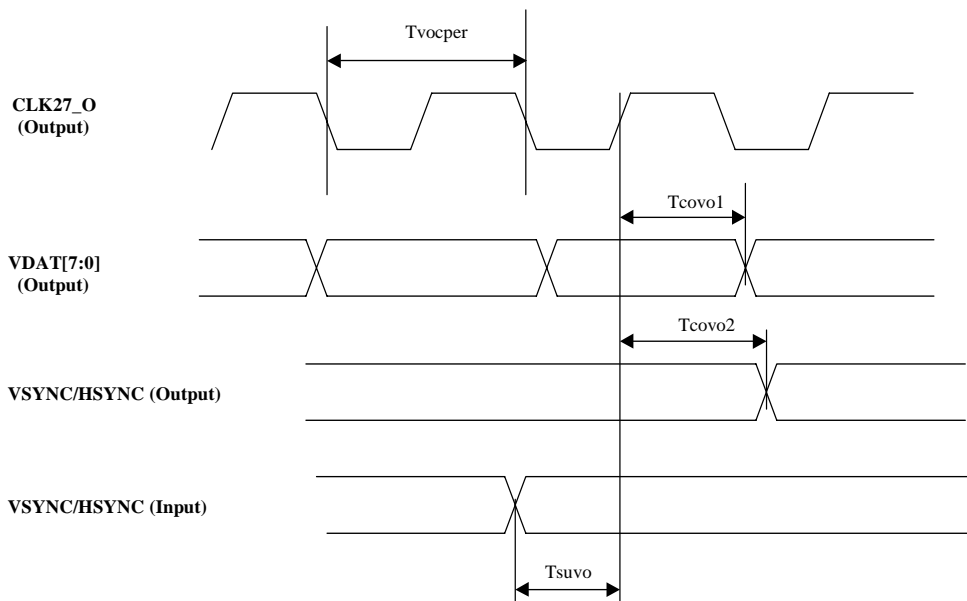

Figure 6. ROM/RVRAM Timing

1.2.4 Video Output Interface

Symbol	Description	Min	Typ	Max	Unit
t_{suvo}	Vsync/Hsync input setup to CLK27_O	5			ns
t_{covo1}	VDAT[7:0] delay from CLK27_O transition			10	ns
t_{covo2}	Vsync/Hsync delay from CLK27_O transition			10	ns
t_{vocper}	CLK27_O High Time ¹		37.037		ns

Table 4. Video Output Interface Characteristics

1.Values are guaranteed by design only

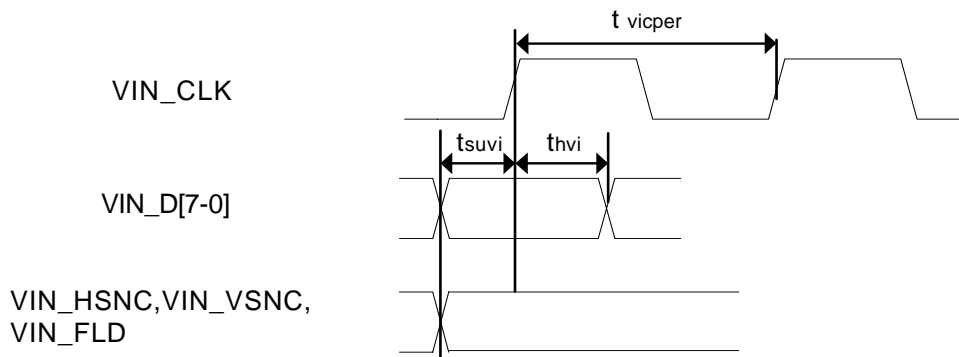

Figure 7. Video Output Timing

1.2.5 Video Input Interface

Symbol	Description	Min	Typ	Max	Unit
t_{suvi}	VIN_D[7:0] set up to VIN_CLK	5			ns
t_{hvi}	VIN_D[7:0] hold time after VIN_CLK rising edge	2			ns
t_{vicper}	VIN_CLK High Time ¹		37.087		ns

Table 5. Video Input Interface Characteristics

1.Active clock edge is programmable. Timing is referenced from active edge


Figure 8. Video Input Timing

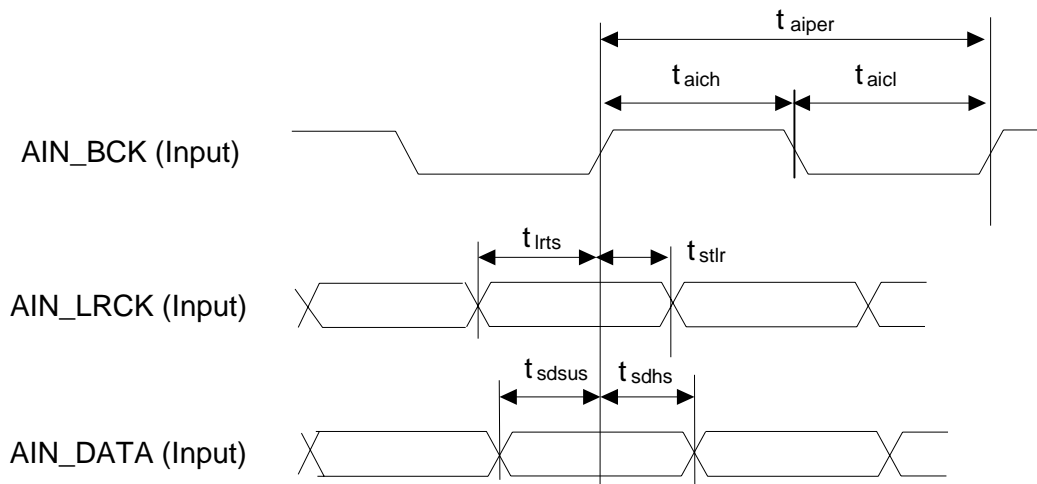
1.2.6 Audio Input Interface

Symbol	Description	Min	Typ	Max	Units
t_{aicl}	AIN_BCK Low Time ^{1, 2}	40	50		%
t_{aich}	AIN_BCK High Time ^{1, 2}	40	50		%
t_{aiper}	AIN_BCK period ^{1, 2}	216			ns
t_{stlr}	Time form AIN_LRCK transition to AIN_BCK active edge	5		-	ns
t_{lrts}	Time form AIN_LRCK transition to AIN_BCK active edge	2		-	ns
t_{sdsus}	AIN_DATA setup to AIN_BCK transition	5		-	ns
t_{sdhs}	AIN_DATA hold time after AIN_BCK transition	2		-	ns

Table 6. Audio Input Interface Characteristics

1.Values are guaranteed by design only

2.Active clock edge is programmable. Timing is referenced from active edge


Figure 9. Audio Input Timings

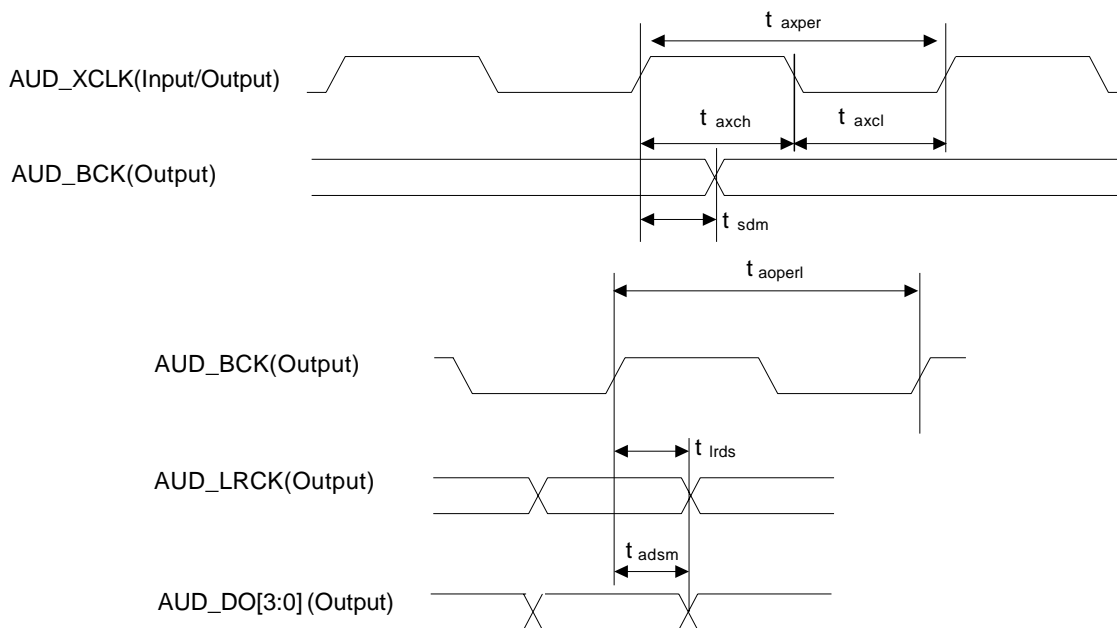
1.2.7 Audio Output Interface

Symbol	Description	Min	Typ	Max	Units
t_{axch}	AUD_XCLK High Time (AUD_XCLK is Input/Output) ^{1, 2}	40	50	-	%
t_{axcl}	AUD_XCLK Low Time (AUD_XCLK is Input/Output) ^{1, 2}	40	50	-	%
t_{axper}	AUD_XCLK period (Input/Output) ^{1, 2}	27			ns
t_{aoper}	AUD_BCK period (Output) ^{1, 2}	216			ns
t_{sdm}	AUD_BCK delay from AUD_XCLK transition	-		5	ns
t_{sdm}	AUD_BCK delay from AUD_XCLK transition	-		3	ns
t_{lrds}	AUD_LRCK delay from AUD_BCK transition	-		3	ns

Table 7: Audio Output Interface Characteristics

1.Values are guaranteed by design only

2.Active clock edge is programmable. Timing is referenced from active edge


Figure 10. Audio Output Timing

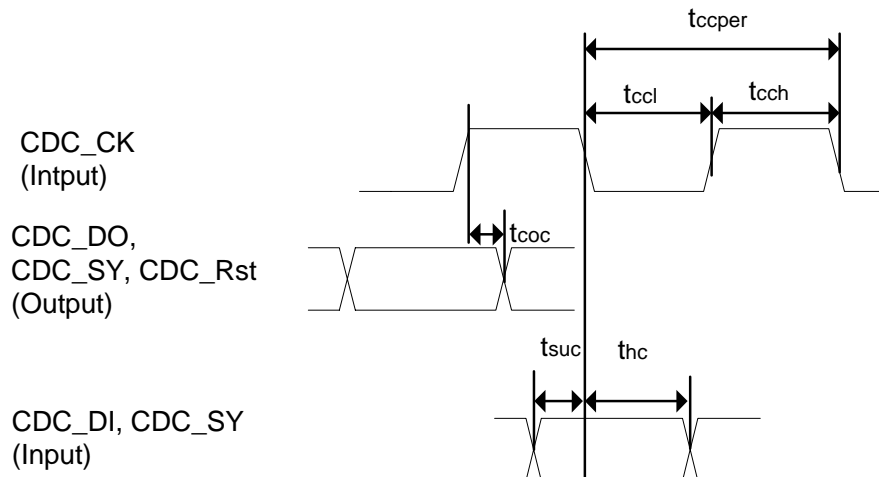
1.2.8 AC97/CODEC Interface

Symbol	Description	Min	Typ	Max	Units
t_{suc}	Data set up to CDC_CK	5			ns
t_{hc}	Data hold time after CDC_CK	0			ns
t_{coc}	Time from active edge of CDC_CK to Data transition			10	ns
t_{cch}	CDC_CK High Time ^{1, 2}	40	50		%
t_{ccl}	CDC_CK Low Time ^{1, 2}	40	50		%
t_{ccper}	CDC_CK period ^{1, 2}	216			ns

Table 8. AC97/CODEC Interface Characteristics

1.Values are guaranteed by design only

2.Active clock edge is programmable. Timing is referenced from active edge

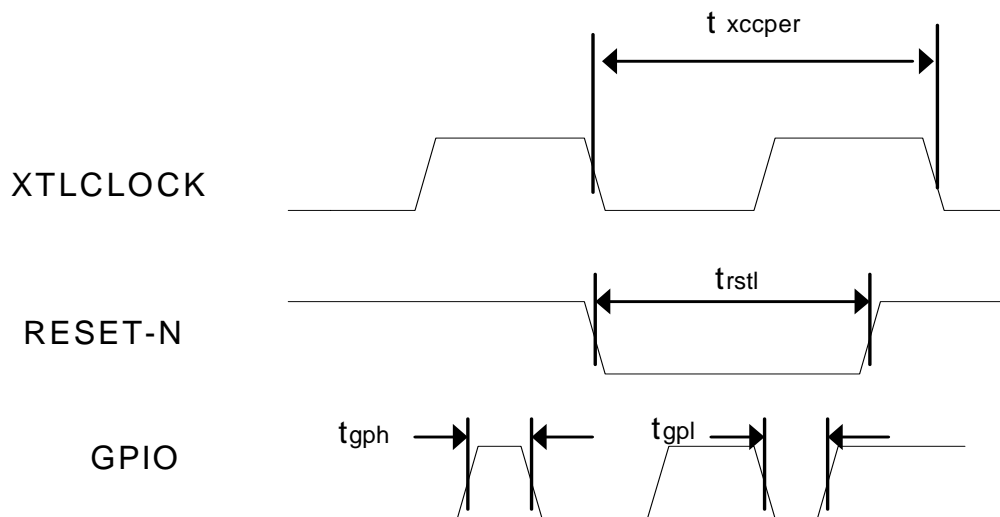

Figure 11. CODEC Timing

1.2.9 Miscellaneous Interface Timing

Symbol	Description	Min	Typ	Max	Units
$t_{xclkper}$	XTLCLOCK period ¹		37.037		ns
t_{rstl}	RESET_N Pulse Width	1000			ns
t_{gpl}	GPIO PW Low	50			ns
t_{gph}	GPIO PW High	50			ns

Table 9. Miscellaneous Interface Characteristics

1.XTLCLOCK must meet the requirement of external the video encoder for correct chroma (27 MHz \pm 1 KHz).


Figure 12. Miscellaneous Timing

2. TYPICAL APPLICATION

The Figure 13 shows a typical example of a complete Set-Top Box solution using the CS7808.

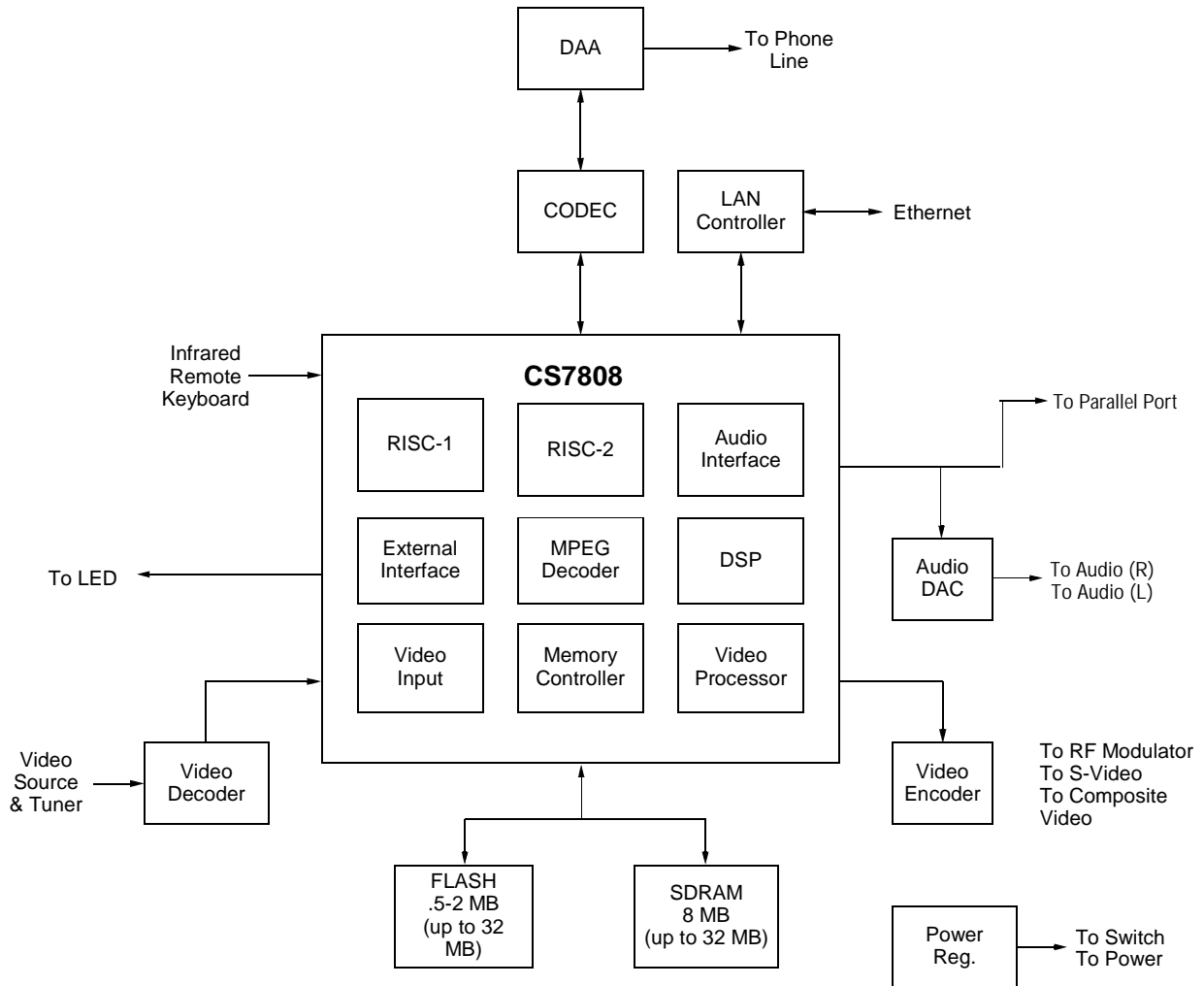


Figure 13. CS7808 Typical Application

- Built in PLLs generate all required clocks from 27 Mhz input clock

3.2.4 Memory Controller

- Supports SDRAM, and SGRAM, from 2 Mbytes to 32 Mbytes
- Supports multiple banks of FLASH and ROM up to 16 Mbytes
- 32-bit data bus for DRAM, 8 or 16-bit data bus for ROM

3.2.5 Data Flow Engine

- 2432 bytes of internal memory
- DMA to/from main RAM into local SRAM
- Supports endian conversion and byte, short, long data formats on DMA
- Supports block transfers for graphics bit blits

3.2.6 Audio Interface

- Supports PCM, I²S and IEC-958 outputs at up to 96 KHz output rate
- 8 output channels, 2 input channels

3.2.7 Video Input

- NTSC/PAL video decoder input interface
- Built in variable down scaling, handles CCIR 601 to QCIF input formats
- Video input image can be displayed in small window, or as main picture

3.2.8 External Interface

- Serial I²C[®] master and slave port
- 29 independent fully programmable bi-directional I/O pins
- 8 edge or level detection interrupt pins
- Hardware assisted support for infrared remote devices, such as remote control, infrared keyboard, mouse, printer, and more

- Programmable parallel host master and slave interface supports many formats including ATAPI, ISA, and more
- Serial interface supports AC-97 and other standard MODEM CODEC protocols

3.2.9 Video Processor

- Supports 24-bit 4:2:0 and 4:2:2 video modes and 16-bit true color graphics modes.
- On screen display module supports 2-bit, 4-bit, or 8-bit pixel modes, while supporting 3 separate regions and 16 transparency overlay levels
- Picture-in-picture module includes horizontal and vertical downscaling with programmable output sizes, positions, and borders
- Overlay mixer with RGB to YUV conversion and output formatting
- Supports 4:2:0, 4:2:2, YUV655, RGB565 and RGB555 frame buffer inputs
- Outputs 4:2:2 video in CCIR-601 or CCIR-656 format
- High quality scaling using a vertical and a horizontal 16 taps polyphase programmable filter and supports any size image up to 768x576
- Programmable sharpening and de-blocking filters
- 5 taps programmable adaptive anti-flicker filtering for graphics source
- Master or Slave video sync configuration
- Multiple video plains overlay (main video / video input / picture_in_picture / picture/on_screen / display/cursor)
- Gamma correction

3.2.10 Cursor

- 4-bit color
- 16-level alpha blending

3.2.11 System Functions

- 208-pin PQFP packages
- All I/O pins are 3 V with 5 V tolerance
- Advanced 0.25 micron CMOS technology
- Internal processors run at 81 MHz
- Supports Low Power modes and clock shutoff

3.3 RISC Processor

The CS7808 includes two powerful, proprietary 32-bit RISC processors, RISC0 and RISC1, with optimizing C compiler support and source level debugger. The RISC processors fully support many Real Time Operation Systems (RTOS).

In addition to being compatible with the standard MIPS® R3000® instruction set, the RISC processors also have a MAC engine, which performs multiply/accumulate in 2 cycles in a pipelined fashion with C support, effectively achieving single cycle throughput.

3.4 DSP Processor

The CS7808 contains a proprietary digital signal processor (DSP), which is optimized for audio applications. The DSP performs 32-bit simple integer operations, and has a 24-bit fixed point logic unit, with a 54-bit accumulator. There are 32 general-purpose registers, and eight independent address generation registers, featuring: linear and circular buffer operations, and dual operand read from memory. The multiply-accumulator has single-cycle throughput, with two cycle latency. The DSP is optimized for bit packing and unpacking operations. The interface to main memory is designed for handling flexible block sizes and skip counts.

3.5 Memory Control

The DRAM Interface performs the SDRAM control and arbitration functions for all the other modules in the CS7808. The DRAM interface services and arbitrates a number of clients and stores their code and/or data within the local memory. This arbitration and scheduling guarantees the allocation of sufficient bandwidth to the various clients. The DRAM Interface supports up to 32 Mbytes. For a

typical application, the CS7808 requires 8 Mbytes memory space.

Sharing the same interface, CS7808 also supports FLASH ROM, OTP, or mask ROM interface. Code is stored in ROM. After the system is booted, the code is shadowed inside SDRAM for execution. The FLASH ROM interface is provided so that the code can be upgraded in the field once the communications channel is established (via modem port, CD-R, or serial port). Utility software will be provided to debug and upgrade code for the system manufacturer.

3.6 Dataflow Control (DMA)

The DMA controller moves data between the external memory and internal memory. The external memory address can be specified using a register, or in FIFO mode, using start and end address registers. Separate start/end address registers are used for DMA read and write operations. The DMA interface also has a block transfer function, which allows for the transfer of one block of data from one external memory location to another external memory location. In effect, this feature combines a DMA read and write into one operation. In addition, the DMA write operation allows for byte, short, word, and other types of masking.

3.7 System Control Functions

The system control functions are used to coordinate the activities of the multiple processors, and to provide the supporting system operations. Four 32-bit communication registers are available for inter-processor communication, and eight semaphore registers are used for resource locking. Timers are available for general-purpose functions, as well as more specialized functions such as watchdog timers and performance monitoring.

The large number of general purpose I/Os offers flexibility in system configurations. An I²C master allows for control of other I²C devices, such as a video encoder. An I²C slave port shares the same pins, and can be used for debug functions. Inter-

rupts can be generated on specific or generic events. Infrared inputs can be filtered to make them free of glitches or stored unfiltered into memory. Control of all the internal clocks is also possible. Internal PLLs are used to generate the internal system and memory clocks and audio clocks of any widely used frequency.

3.8 Host Interface

The CS7808 has a programmable interface port which can be configured to connect to industry-standard ATAPI interfaces without external glue logic.

The Host interface can be set up in ATAPI mode, to connect directly to any ATAPI hard-disk drive (using two chip selects).

3.9 MPEG Video Decoding

Compressed MPEG data is read from Internet through Ethernet controller(Host I/F) or soft modem(CODEC I/F) into an input FIFO in DRAM. The data flow (DMA) controller moves Video packets from the input FIFO into the MPEG decoder's input FIFO (also in DRAM). The DMA controller can also perform advanced functions such as start code search, relieving the RISC processors. The System Synchronization function is used to control the timing of MPEG picture decoding. The MPEG Video decoder processes I, B, and P frames, and writes to video frame buffers in DRAM for output to the display. Special anti-tearing logic ensures that currently displayed frame buffers are not overwritten.

3.10 Audio Processing

Compressed Audio data is decompressed, then written to a PCM output FIFO, also in DRAM. The DMA and decompression stages of audio processing can be done with a combination of the DMA unit, DSP, and RISC processors. The DSP is optimized for audio processing, so most common formats can be handled by the DSP alone, including AC-3, DTS, MPEG2 audio, and MP3. The DSP has

enough reserve bandwidth to handle the Karaoke echo-mix and pitch shift, and AC-3 down-mix functions.

The audio output data is written into a DRAM FIFO in 16-, 18-, 20- or 24-bit PCM format. A flexible audio output stage can simultaneously output 8 channels of PCM data to audio DACs, or 6 channels of audio data plus an IEC-958 encoded output, at up to 96 KHz. The audio interface also includes a flexible PCM input interface, which can input a wide range of protocols from an audio ADC or an IEC-958 receiver.

3.11 Soft Modem

The soft modem processing is handled by one of the RISC processors, which is typically dedicated for that function. Data rates up to 56 Kbits (V.90 protocol) are supported. The CS7808 interfaces to a simple external CODEC/DAA circuit using a flexible serial interface. The serial interface is a fully programmable, bi-directional interface and can be used either as a PCM interface or as an AC97 interface. In PCM mode, the sample size could be adjusted to 20, 18 or 16 bits to match common DAC and ADC formats, or any other specific size. In AC97 mode, any slot can be used to interface either a modem CODEC or an audio CODEC.

3.12 Video

The Digital Video Interface provides flexible and powerful means of outputting digital video data to external devices in CCIR601/3 and CCIR656 formats. The interface directly supports NTSC/PAL video encoding, in both master and slave synchronization configurations. The internal frame buffer format could be 4:2:0, 4:2:2, YUV655, RGB565 and RGB555. Cirrus Logic provides some easy-to-use utilities in order to get the best advantage of the powerful video filtering capabilities of the CS7808. The CS7808 also features an NTSC/PAL video decoder input interface. The interface accepts CCIR601, CIF, and QCIF formats, out of many TV decoders on the market. The video processor also

allows overlay of multiple video planes (main video / video input / picture_in_picture / on_screen display / cursor). CS7808 has been proven to work with many TV encoders on the market with brands such as: Crystal, Brooktree, ADI, and AVS.

The Video Input Scaler (VIS) module inputs 8-bit digital video data from a camera or PAL/NTSC decoder, optionally down-scales to SIF or QSIF, and stores the data in one to three DRAM frame buffers. The scaled image, with a border, can be over-

laid anywhere on the screen into a $\frac{1}{2}$ or $\frac{1}{4}$ -screen sized window by the Picture in Picture (PIP) module.

An alternate method of using the Video Input function is to input a full sized picture and present it on the screen full size (bypass mode). An internal glitch-free mux can switch the video processor clock source from the internal clock to the Video Input clock, allowing the PIP mode to switch back and forth on the fly, with no dropout.

4. MEMORY MAP

4.1 Processor Memory Map

The CS7808 externally supports up to 32 Mbytes DRAM and 16 Mbytes ROM/NVRAM. Table 10, Table 11 and Table 12 on the next page list the memory map as viewed by the RISC processors, and identifies whether each segment is mapped or cacheable.

For detailed information on programming CS7808 memory, see *CS7808 Memory Interface User's Manual* (DS525UMD1).

4.2 Host Port Memory Map

Table 11 on page 23 lists the memory map as viewed by host slave port.

4.3 Internal I/O Space Map

Table 10, Table 11, and Table 12 show how the Internal I/O space is mapped between general registers, internal SRAM ports, and the RISC processors' debug port.

Processor Byte Address	Description	Cacheable
0000_0000 – 07FF_FFFF	DRAM (mapped)	Y
8000_0000 - 81FF_FFFF	DRAM (32 Mbytes)	Y
9400_0000 – 9CFF_FFFF	16-bit NVRAM write (16 Mbytes)	N
9C00_0000 – 9CFF_FFFF	16-bit NVRAM/ROM (16 Mbytes)	Y
9D00_0000 – 9DFF_FFFF	8-bit NVRAM/ROM (16 Mbytes)	Y
A000_0000 – A1FF_FFFF	DRAM (32 Mbytes)	N
B000_0000 – B003_FFFF	Internal I/O (256 Kbytes)	N
B400_0000 – BCFF_FFFF	16-bit NVRAM write (16 Mbytes)	N
BC00_0000 – BCFF_FFFF	16-bit NVRAM/ROM (16 Mbytes)	N
BD00_0000 – BDFF_FFFF	8-bit NVRAM/ROM (16 Mbytes)	N
C000_0000 – FFFF_FFFF	DRAM (mapped)	Y

Table 10. Memory Map-RISC0 Processor

Host Byte Address	Description
0000 0000 – 003F FFFF	Internal I/O Space
1000 0000 – 13FF FFFF	DRAM space (16 Mbytes)
1400 0000 – 17FF FFFF	NVRAM space (16 Mbytes)

Table 11. Host Port Memory Map

Byte Address Offset	Description
0_0000 – 0_2FFF	General registers
0_3000 – 1_FFFF	General Internal SRAM
2_0000 – 2_FFFF	RISC_0 Internal SRAM/Registers
3_0000 – 3_FFFF	RISC_1 Internal SRAM/Registers

Table 12. Internal I/O Space Map

5. REGISTER DESCRIPTION

5.1 CS7808 Register Space

Table 13 lists the register groups, and how they are split among the main CS7808 functional blocks. Table 14 lists all the registers for the CS7808 and their addresses, and indicates whether the registers are read/write (R/W), read only (RO), or write only (WO).

CS7808 Register	Block
000xx, 010xx	General
001xx	Host
002xx	DRC
003xx	DMA
005xx	Serial Interface
006xx	DSP
007xx	Synchronization Control
008xx	MPEG Video Decoder
009xx	Video Input Scaler
00Axx	Picture-in-picture
00Bxx	Video Processor
00Cxx	Subpicture Display
00Dxx	On-screen Display
00Exx	PCM In/Out
02xxxx	RISC_0
03xxxx	RISC_1

Table 13. CS7808 Register Map and Blocks

Address	Type	Function	Register Name
000	R/W	General	Command
010	R/W	General	InterProc_Comm_Register_0
014	R/W	General	InterProc_Comm_Register_1
018	R/W	General	InterProc_Comm_Register_2
10C	R/W	General	InterProc_Comm_Register_3
020	R/W	General	Semaphore_Register_0
024	R/W	General	Semaphore_Register_1
028	R/W	General	Semaphore_Register_2
02C	R/W	General	Semaphore_Register_3
030	R/W	General	Semaphore_Register_4
034	R/W	General	Semaphore_Register_5
038	R/W	General	Semaphore_Register_6

Table 14. CS7808 Registers

Address	Type	Function	Register Name
03C	R/W	General	Semaphore_Register_7
040	RO	General	GenIO_Read_Data
044	R/W	General	GenIO_Write_Data
048	R/W	General	GenIO_Three_State_Enable
04C	R/W	General	GenIO_Positive_Edge
050	R/W	General	GenIO_Negative_Edge
054	R/W	General	GenIO_Interrupt_Status
058	R/W	General	GenIO_Positive_Edge_Mask
05C	R/W	General	GenIO_Negative_Edge_Mask
060	R/W	General	GenIO_Level_Mask
064	R/W	General	GenIO_Mode Register
1040	RO	General	GenIOMIS_Read_Data
1044	R/W	General	GenIOMIS_Write_Data
1048	R/W	General	GenIOMIS_Three_State_Enable
104C	R/W	General	GenIOMIS_Positive_Edge
1050	R/W	General	GenIOMIS_Negative_Edge
1054	R/W	General	GenIOMIS_Interrupt_Status
1058	R/W	General	GenIOMIS_Positive_Edge_Mask
105C	R/W	General	GenIOMIS_Negative_Edge_Mask
1060	R/W	General	GenIOMIS_Level_Mask
1064	R/W	General	GenIOMIS_Mode Register
1068	RO	General	GenIOD_Read_Data
106C	R/W	General	GenIOD_Write_Data
1070	R/W	General	GenIOD_HiZ_State_Enable
1074	RO	General	GenIOHST_Read_Data
1078	R/W	General	GenIOHST_Write_Data
107C	R/W	General	GenIOHST_HiZ_State_Enable
068	R/W	General	I ² C_Mstr_Read_Comand
06C	R/W	General	I ² C_Mstr_Write_1Byte
070	R/W	General	I ² C_Mstr_Write_2Bytes
074	R/W	General	I ² C_Mstr_Control
078	RO	General	I ² C_Mstr_Status
07C	RO	General	I ² C_Mstr_Read_Data
080	R/W	General	RSK0_Interrupt_Mask
084	WO	General	RSK0_Interrupt_Set
088	R/W	General	RSK0_Interrupt_Status
08C	RO	General	RSK0_Interrupt_Cause
090	R/W	General	DSP_Interrupt_Mask
094	WO	General	DSP_Interrupt_Set

Table 14. CS7808 Registers (Continued)

Address	Type	Function	Register Name
098	R/W	General	DSP_Interrupt_Status
09C	RO	General	DSP_Interrupt_Cause
0A0	R/W	General	RSK0_Interrupt_Mask2
0A4	WO	General	RSK0_Interrupt_Set2
0A8	R/W	General	RSK0_Interrupt2_Status
0AC	RO	General	RSK0_Interrupt_Cause2
1080	R/W	General	RSK1_Interrupt_Mask
1084	WO	General	RSK1_Interrupt_Set
1088	R/W	General	RSK1_Interrupt_Status
108C	RO	General	RSK1_Interrupt_Cause
10A0	R/W	General	RSK1_Interrupt_Mask2
10A4	WO	General	RSK1_Interrupt_Set2
10A8	R/W	General	RSK1_Interrupt2_Status
10AC	RO	General	RSK1_Interrupt_Cause2
0B0	R/W	General	DSP_Interrupt_Mask2
0B4	WO	General	DSP_Interrupt_Set2
0B8	R/W	General	DSP_Interrupt2_Status
0BC	RO	General	DSP_Interrupt_Cause2
0C0	R/W	General	Timer_0
0C4	R/W	General	Timer_1
0C8	R/W	General	Timer_2
0CC	R/W	General	Timer_3
0D0	R/W	General	Timer_Control
0D4	RO	General	Performance_Monitor_Count
0D8	R/W	General	Timer_M_Over_N
0E0	R/W	General	IR_Control
0E4	R/W	General	IR_Dram_Start_Address
0E8	R/W	General	IR_Dram_End_Address
0EC	RO	General	IR_Dram_Write_Address
0F0	R/W	General	PLL_Control_Register1
10F0	R/W	General	Low_Power_Clock_Control
0F4	R/W	General	PLL_Control_Register2
10F4	R/W	General	PLL_Control_Register3
0F8	R/W	General	PLL_Turn_Off
0FC	R/W	General	PLL_Clock_Divider
100	R/W	Host	Device_1_Control
104	R/W	Host	Device_2_Control
108	R/W	Host	Device_3_Control
10C	R/W	Host	Device_4_Control
110	R/W	Host	Write_Data_Port

Table 14. CS7808 Registers (Continued)

Address	Type	Function	Register Name
114	RO	Host	Read_Data_Port
120	R/W	Host	Host_Start_Address
124	R/W	Host	DRAM_Start_Address
128	R/W	Host	Stream_Transfer_Size
12C	R/W	Host	DRAM_Burst_Threshold
13C	R/W	Host	Host_Master_Control
200	R/W	DRAM controller	DRAM_Controller_Priority0
204	R/W	DRAM controller	DRAM_Controller_Priority1
208	R/W	DRAM controller	DRAM_Controller_Priority2
20C	R/W	DRAM controller	DRAM_Controller_Priority3
210	R/W	DRAM controller	DRAM_Controller_Priority4
214	R/W	DRAM controller	DRAM_Controller_Setup
218	R/W	DRAM controller	DRAM_Command
21C	R/W	DRAM controller	DRAM_Controller_Mb_Width
220	R/W	DRAM controller	DRAM_Controller_Debug_Control
224	RO	DRAM controller	DRAM_Debug_Status
300	WO	DMA	DMA_Enable
304	R/W	DMA	DMA_Control
308	RO	DMA	DMA_Status
30C	R/W	DMA	Xfer_Byte_Cnt
310	R/W	DMA	Dram_Byte_Start_Addr
314	R/W	DMA	Sram_Byte_Start_Addr
318	R/W	DMA	Fifo_Start_Rd_Addr
31C	R/W	DMA	Fifo_Start_Wr_Addr
328	R/W	DMA	Search_Control
32C	RO	DMA	Search_Status
330	R/W	DMA	Fifo_End_Rd_Addr
334	R/W	DMA	Fifo_End_Wr_Addr
338	R/W	DMA	Lines_and_Skip
33C	R/W	DMA	Byte_Mask_Pattern
540	R/W	SER/DCI	Serial_Frame_Sync_Control
544	R/W	SER/DCI	Serial_Output_Input_Control
548	R/W	SER/DCI	AC97_Codec_Control
54C	R/W	SER/DCI	AC97_Codec_Command
550	R/W	SER/DCI	Serial_Output_Fifo_Start_Address
554	R/W	SER/DCI	Serial_Output_Fifo_End_Address
558	R/W	SER/DCI	Serial_Input_Fifo_Start_Address
55C	R/W	SER/DCI	Serial_Input_Fifo_End_Address
560	RO	SER/DCI	Serial_Output_Fifo_Read_Address
564	RO	SER/DCI	Serial_Input_Fifo_Write_Address

Table 14. CS7808 Registers (Continued)

Address	Type	Function	Register Name
568	R/W	SER/DCI	Serial_Clock_Synthesis_Parameters
56C	RO	SER/DCI	Codec_Register_Status
570	R/W	SER/DCI	Slot5_Register_Data
574	R/W	SER/DCI	Slot10_Register_Data
578	R/W	SER/DCI	Slot11_Register_Data
57C	R/W	SER/DCI	Slot12_Register_Data
580	R/W	SER/DCI	Out_fifo_int
584	R/W	SER/DCI	In_fifo_int
588	R/W	SER/DCI	Rate_Control
600	WO	DSP	DSP_Boot_Code_Start_Address
604	WO	DSP	DSP_Run_Enable
6XX	RO	DSP	DSP_Program_CntRun_Status
700	R/W	Synchronization Control	Audio_Sync_Control
704	R/W	Synchronization Control	Video_Sync_Control
708	RO	Synchronization Control	Video_Sync_Status
70C	R/W	Synchronization Control	Wait_Line
710	R/W	Synchronization Control	Frame_Period
714	R/W	Synchronization Control	STC_Interval
718	R/W	Synchronization Control	System_Time_Clock
71C	R/W	Synchronization Control	Top_Bits
720	R/W	Synchronization Control	Video_PTS_FIFO_Start_Address
724	R/W	Synchronization Control	Video_PTS_FIFO_End_Address
728	R/W	Synchronization Control	Video_PTS_FIFO_Write_Address
72C	RO	Synchronization Control	Video_PTS_FIFO_Read_Address
730	R/W	Synchronization Control	Subpicture_PTS_FIFO_Start_Address
734	R/W	Synchronization Control	Subpicture_PTS_FIFO_End_Address
738	R/W	Synchronization Control	Subpicture_PTS_FIFO_Write_Address
73C	RO	Synchronization Control	Subpicture_PTS_FIFO_Read_Address
740	R/W	Synchronization Control	Highlight_Start_PTS
744	R/W	Synchronization Control	Highlight_End_PTS
748	R/W	Synchronization Control	Button_End_PTS
74C	RW	Synchronization Control	Highlight_Control_Information_Address
750	R/W	Synchronization Control	Video_PTS
754	R/W	Synchronization Control	Audio_PTS
758	RO	Synchronization Control	Subpicture_PTS
75C	RO	Synchronization Control	Audio_Time
760	RO	Synchronization Control	Video_Sync_Debug
764	R/W	Synchronization Control	SP_DRC_VPTS_Debug
768	R/W	Synchronization Control	Frame_Count_Interrupt
76C	R/W	Synchronization Control	Video_DTS

Table 14. CS7808 Registers (Continued)

Address	Type	Function	Register Name
770	RO	Synchronization Control	Sync_Interrupt_Status
774	R/W	Synchronization Control	Sync_Interrupt_Control
778	WO	Synchronization Control	Sync_Interrupt_Set
77C	WO	Synchronization Control	Sync_Interrupt_Clear
800	R/W	MPEG Video Decoder	MPEG_Video_Control
804	R/W	MPEG Video Decoder	MPEG_Video_Setup
808	R/W	MPEG Video Decoder	MPEG_Video_FIFO_Start_Address
80C	R/W	MPEG Video Decoder	MPEG_Video_FIFO_End_Address
810	RO	MPEG Video Decoder	MPEG_Video_FIFO_Current_Address
814	RO	MPEG Video Decoder	MPEG_Video_Horiz_Pan_Vector
818	WO	MPEG Video Decoder	MPEG_Video_FIFO_Add_Bytes
81C	RO	MPEG Video Decoder	MPEG_Video_FIFO_Curr_Bytes
820	R/W	MPEG Video Decoder	MPEG_Video_FIFO_Interrupt_Bytes
824	RO	MPEG Video Decoder	MPEG_Video_FIFO_Total_Bytes
828	RO	MPEG Video Decoder	MPEG_Video_Status
82C	R/W	MPEG Video Decoder	Macroblock_Width_Height
830	RO	MPEG Video Decoder	MPEG_Video_Debug
834	R/W	MPEG Video Decoder	MPEG_U_Offset
83C	R/W	MPEG Video Decoder	MPEG_I_Base_Register
840	R/W	MPEG Video Decoder	MPEG_P_Base_Register
844	R/W	MPEG Video Decoder	MPEG_Dest_Control
848	RO	MPEG Video Decoder	MPEG_Software_Flags
84C	R/W	MPEG Video Decoder	MPEG_V_Offset
854	R/W	MPEG Video Decoder	MPEG_AntiTearWindow
858	R/W	MPEG Video Decoder	MPEG_Error_Pos
900	R/W	Video Input Scaler	VIS_Control
904	R/W	Video Input Scaler	VIS_StartX
908	R/W	Video Input Scaler	VIS_EndX
90C	R/W	Video Input Scaler	VIS_StartY
910	R/W	Video Input Scaler	VIS_EndY
914	R/W	Video Input Scaler	VIS_Frame_Base
918	R/W	Video Input Scaler	VIS_U_Offset
91C	R/W	Video Input Scaler	VIS_V_Offset
920	R/W	Video Input Scaler	VIS_Frame_Size
A00	R/W	Picture-in-Picture	PIP_Control
A04	R/W	Picture-in-Picture	PIP_VidBrdStartX
A08	R/W	Picture-in-Picture	PIP_VidBrdEndX
A0C	R/W	Picture-in-Picture	PIP_VidBrdStartY
A10	R/W	Picture-in-Picture	PIP_VidBrdEndY
A14	R/W	Picture-in-Picture	PIP_BorderClr

Table 14. CS7808 Registers (Continued)

Address	Type	Function	Register Name
A18	R/W	Picture-in-Picture	PIP_Vscale
A1C	R/W	Picture-in-Picture	PIP_Line_Offnum_Bot
A20	R/W	Picture-in-Picture	PIP_FrBaseY
A24	R/W	Picture-in-Picture	PIP_FrBaseU
A28	R/W	Picture-in-Picture	PIP_FrBaseV
A2C	R/W	Picture-in-Picture	PIP_Line_Width
A30	R/W	Picture-in-Picture	PIP_Line_Offnum_Top
A34	R/W	Picture-in-Picture	PIP_Frame_Size
B00	R/W	Video Processor	Video_Processor_Control
B04	R/W	Video Processor	Video_DRAM_Line_Length
B08	R/W	Video Processor	Display_ActiveX
B0C	R/W	Video Processor	Display_ActiveY
B10	R/W	Video Processor	Blank_Color
B14	R/W	Video Processor	Internal_Hsync_Count
B18	R/W	Video Processor	Internal_Vsync_Count
B1C	R/W	Video Processor	Horizontal_Y_Offset
B20	R/W	Video Processor	Horizontal_UV_Offset
B24	R/W	Video Processor	Vertical_Offset
B28	R/W	Video Processor	Video_Line_Size
B2C	R/W	Video Processor	Frame_Buffer_Base
B30	R/W	Video Processor	Video_Line_Mode_Buffer
B34	R/W	Video Processor	Horizontal_Vertical_Filter
B38	R/W	Video Processor	Source_X_Offset
B3C	R/W	Video Processor	Horizontal_Video_Scaling
B40	R/W	Video Processor	Frame_V_Buffer_Compressed_Offset
B44	WO	Video Processor	Mb_Width
B48	WO	Video Processor	Anti-Flicker
B4C	WO	Video Processor	Anti-Flicker
B50	WO	Video Processor	Anti-Flicker
B54	WO	Video Processor	Anti-Flicker
B58	WO	Video Processor	Anti-Flicker
B5c	WO	Video Processor	Gamma Control
B60	WO	Video Processor	Gamma Control
B64	WO	Video Processor	Gamma Control
B68	WO	Video Processor	Gamma Control
B6C	WO	Video Processor	Gamma Control
B70	WO	Video Processor	Gamma Control
B74	WO	Video Processor	Gamma Control
B78	WO	Video Processor	Gamma Control
B7C	R/W	Video Processor	Vid_Sync Adjust

Table 14. CS7808 Registers (Continued)

Address	Type	Function	Register Name
C00	R/W	Subpicture	Subpicture_Color0
C04	R/W	Subpicture	Subpicture_Color1
C08	R/W	Subpicture	Subpicture_Color2
C0C	R/W	Subpicture	Subpicture_Color3
C10	R/W	Subpicture	Subpicture_Color4
C14	R/W	Subpicture	Subpicture_Color5
C18	R/W	Subpicture	Subpicture_Color6
C1C	R/W	Subpicture	Subpicture_Color7
C20	R/W	Subpicture	Subpicture_Color8
C24	R/W	Subpicture	Subpicture_Color9
C28	R/W	Subpicture	Subpicture_Color10
C2C	R/W	Subpicture	Subpicture_Color11
C30	R/W	Subpicture	Subpicture_Color12
C34	R/W	Subpicture	Subpicture_Color13
C38	R/W	Subpicture	Subpicture_Color14
C3C	R/W	Subpicture	Subpicture_Color15
C40	R/W	Subpicture	Subpicture_DCI_Address
C44	R/W	Subpicture	Subpicture_HLI_Address
C50	R/W	Subpicture	Subpicture_Control
C54	R/W	Subpicture	Subpicture_Display_Offset
C58	R/W	Subpicture	Subpicture_Display_Scale
D00	RO	On Screen Display	OSD_Status
D04	R/W	On Screen Display	OSD_Control
D08	R/W	On Screen Display	OSD_Color_Number
D0C	R/W	On Screen Display	OSD_Color_Data
D10	R/W	On Screen Display	OSD_Region1_Control
D14	R/W	On Screen Display	OSD_Region1_Hlimits
D18	R/W	On Screen Display	OSD_Region1_Vlimits
D1C	R/W	On Screen Display	OSD_Region1_DramBase
D20	R/W	On Screen Display	OSD_Region2_Control
D24	R/W	On Screen Display	OSD_Region2_Hlimits
D28	R/W	On Screen Display	OSD_Region2_Vlimits
D2C	R/W	On Screen Display	OSD_Region2_DramBase
D30	R/W	On Screen Display	OSD_Region3_Control
D34	R/W	On Screen Display	OSD_Region3_Hlimits
D38	R/W	On Screen Display	OSD_Region3_Vlimits
D3C	R/W	On Screen Display	OSD_Region3_DramBase
D40	R/W	On Screen Display	OSD_Blend
D44	R/W	On Screen Display	OSD_Debug1
D48	R/W	On Screen Display	OSD_Debug2

Table 14. CS7808 Registers (Continued)

Address	Type	Function	Register Name
E00	R/W	PCM	PCM_Run_Clear
E04	R/W	PCM	PCM_Output_Control
E08	R/W	PCM	PCM_Out_FIFO_Start_Address
E0C	R/W	PCM	PCM_Out_FIFO_End_Address
E10	R/W	PCM	PCM_Out_FIFO_Interrupt_Address
E14	RO	PCM	PCM_Out_FIFO_Current_Address
E18	R/W	PCM	SPDIF_Channel_Status
E20	R/W	PCM	PCM_Input_Control
E24	R/W	PCM	PCM_In_FIFO_Start_Address
E28	R/W	PCM	PCM_In_FIFO_End_Address
E2C	R/W	PCM	PCM_In_FIFO_Interrupt_Address
E30	R/W	PCM	PCM_Out_FIFO_Interrupt_Address2
E34	R/W	PCM	PCM_Out_FIFO_Interrupt_Address3
E38	RO	PCM	PCM_In_FIFO_Current_Address
E3C	RW	PCM	SPDIF_Output_Control
E40	RW	PCM	SPDIF_Output_FIFO_Start_Address
E44	RW	PCM	SPDIF_Output_FIFO_End_Address
E48	RO	PCM	SPDIF_Output_FIFO_Current_Address
E4C	RW	PCM	SPDIF_Output_FIFO_Interrupt_Address
E50	RW	PCM	SPDIF_Output_Add_Block
2XXXX	R/W	RISC0	RISC 0 Processor registers
3XXXX	R/W	RISC1	RISC 1 Processor registers

Table 14. CS7808 Registers (Continued)

6. PIN DESCRIPTION

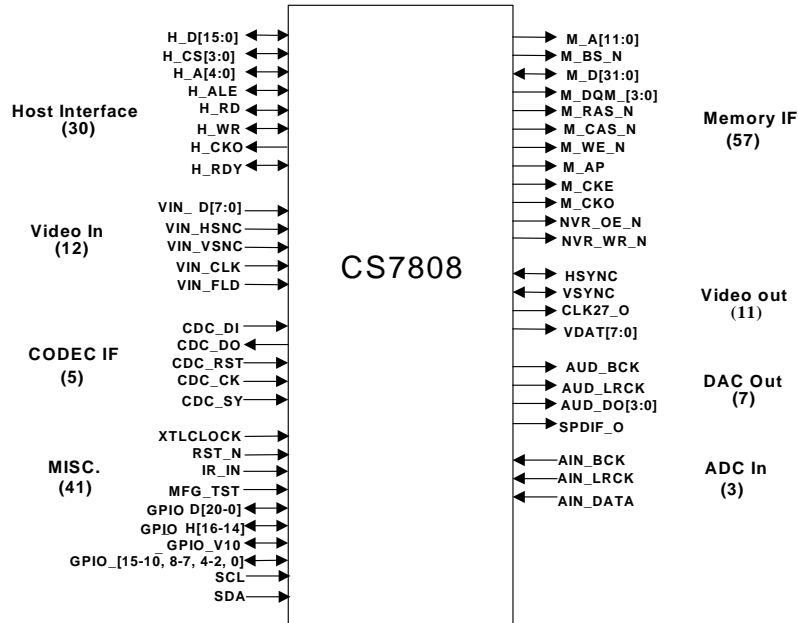


Figure 15. CS7808 Pinouts

Table 15 lists the conventions used to identify the pin type and direction.

Pin Type	Direction
I	Input
IS	Input, with schmitt trigger
ID	Input, with pull down resistor
IU	Input, with pull up resistor
O	Output
O4	Output – 4 mA drive
O8	Output – 8 mA drive
T4	High-Z Output – 4mA drive
B	Bi-direction
B4	Bi-direction – 4 mA drive
B4U	Bi-direction – 4 mA drive, with pull-up
B8U	Bi-direction – 8 mA drive, with pull-up
B4S	Bi-direction – 4 mA drive, with schmitt trigger
B4SU	Bi-direction – 4 mA drive, with pull-up and Schmitt trigger
Pwr	+2.5 V or +3.3 V power supply voltage
Gnd	Power supply ground
Name_N	Low active

Table 15. Pin Type Legend

6.1 Pin Assignments

Table 16 lists the pin number, pin name, and pin type for the 208 pin CS7808 package. The primary function and pin direction is shown for all signal pins. For some signal pins, a secondary function and direction are also shown. For pins having more than one function, the primary function is chosen when the chip is reset.

Pin	Name	Type	Primary Function	Dir	Secondary Function	Dir	Note
1	VDD_PLL	Pwr	PLL Power 2.5V	I			
2	M_A_11	O8	SDRAM Address[11]	O	ROM/NVRAM Address[11]	O	
3	M_A_10	O8	SDRAM Address[10]	O	ROM/NVRAM Address[10]	O	
4	GPIO_D18	B4U	GenIOD[18]	B	System Clock PLL Bypass	I	
5	M_A_9	O8	SDRAM Address[9]	O	ROM/NVRAM Address[9]	O	
6	M_A_8	O8	SDRAM Address[8]	O	ROM/NVRAM Address[8]	O	
7	M_A_7	O8	SDRAM Address[7]	O	ROM/NVRAM Address[7]	O	
8	GPIO_D16	B4SU	GenIOD[16]	B			
9	M_A_6	O8	SDRAM Address[6]	O	ROM/NVRAM Address[6]	O	
10	M_A_5	O8	SDRAM Address[5]	O	ROM/NVRAM Address[5]	O	
11	M_A_4	O8	SDRAM Address[4]	O	ROM/NVRAM Address[4]	O	
12	GPIO_D17	B4U	GenIOD[17]	B			
13	M_A_3	O8	SDRAM Address[3]	O	ROM/NVRAM Address[3]	O	
14	M_A_2	O8	SDRAM Address[2]	O	ROM/NVRAM Address[2]	O	
15	M_A_1	O8	SDRAM Address[1]	O	ROM/NVRAM Address[1]	O	
16	M_A_0	O8	SDRAM Address[0]	O	ROM/NVRAM Address[0]	O	
17	GPIO_D19	B4U	GenIOD[19]	B	Memory Clock PLL Bypass	I	
18	VSS_IO	Gnd	I/O Ground	I			
19	M_CKO	O8	SDRAM Clock	O			
20	VDD_IO	Pwr	I/O Power 3.3V	I			
21	M_BS_N	O8	SDRAM Bank Select	O			
22	M_CKE	B8	SDRAM Clock Enable	O	GenioMis(7)	B	3
23	M_AP	O8	SDRAM Auto Pre-charge	O			
24	M_RAS_N	O8	SDRAM Row Strobe	O			
25	M_CAS_N	O8	SDRAM Column Strobe	O			
26	GPIO_D20	B4U	GenIOD[20]	B			
27	M_WE_N	O8	SDRAM Write Enable	O			
28	M_DQM_0	O8	SDRAM DQM[0]	O			
29	M_DQM_1	O8	SDRAM DQM[1]	O			
30	GPIO_D0	B4U	GenIOD[0]	B			
31	M_DQM_2	O8	SDRAM DQM[2]	O			
32	M_DQM_3	O8	SDRAM DQM[3]	O			
33	M_D_8	B8U	SDRAM Data[8]	B	ROM/NVRAM Data[8]	B	
34	GPIO_D1	B4U	GenIOD[1]	B			

Table 16. 208-Pin Package Assignments

Pin	Name	Type	Primary Function	Dir	Secondary Function	Dir	Note
35	VSS_IO	Gnd	I/O Ground	I			
36	VSS_CORE	Gnd	Core Ground	I			
37	M_D_7	B8U	SDRAM Data[7]	B	ROM/NVRAM Data[7]	B	
38	VDD_IO	Pwr	I/O Power 3.3V	I			
39	GPIO_D2	B4U	GenIOD[2]	B			
40	M_D_9	B8U	SDRAM Data[9]	B	ROM/NVRAM Data[9]	B	
41	VDD_CORE	Pwr	Core Power 2.5V	I			
42	M_D_6	B8U	SDRAM Data[6]	B	ROM/NVRAM Data[6]	B	
43	GPIO_D3	B4U	GenIOD[3]	B			
44	M_D_10	B8U	SDRAM Data[10]	B	ROM/NVRAM Data[10]	B	
45	M_D_5	B8U	SDRAM Data[5]	B	ROM/NVRAM Data[5]	B	
46	M_D_11	B8U	SDRAM Data[11]	B	ROM/NVRAM Data[11]	B	
47	GPIO_D4	B4U	GenIOD[4]	B			
48	M_D_4	B8U	SDRAM Data[4]	B	ROM/NVRAM Data[4]	B	
49	M_D_12	B8U	SDRAM Data[12]	B	ROM/NVRAM Data[12]	B	
50	GPIO_D5	B4U	GenIOD[5]	B			
51	M_D_3	B8U	SDRAM Data[3]	B	ROM/NVRAM Data[3]	B	
52	UNUSED		may leave unconnected				
53	UNUSED		may leave unconnected				
54	M_D_13	B8U	SDRAM Data[13]	B	ROM/NVRAM Data[13]	B	
55	M_D_2	B8U	SDRAM Data[2]	B	ROM/NVRAM Data[2]	B	
56	M_D_14	B8U	SDRAM Data[14]	B	ROM/NVRAM Data[14]	B	
57	GPIO_D6	B4U	GenIOD[6]	B			
58	VSS_IO	Gnd	I/O Ground	I			
59	M_D_1	B8U	SDRAM Data[1]	B	ROM/NVRAM Data[1]	B	
60	M_D_15	B8U	SDRAM Data[15]	B	ROM/NVRAM Data[15]	B	
61	GPIO_D7	B4U	GenIOD[7]	I		B	
62	M_D_0	B8U	SDRAM Data[0]	B	ROM/NVRAM Data[0]	B	
63	VSS_CORE	Gnd	Core Ground	I			
64	M_D_24	B8U	SDRAM Data[24]	B	ROM/NVRAM Address[20]	O	2
65	GPIO_D11	B4U	GenIOD[11]	B			
66	VDD_CORE	Pwr	Core Power 2.5V	I			
67	M_D_23	B8U	SDRAM Data[23]	B	ROM/NVRAM Address[19]	O	2
68	M_D_25	B8U	SDRAM Data[23]	B	ROM/NVRAM Address[21]	O	2
69	GPIO_D10	B4U	GenIOD[10]	B			
70	M_D_22	B8U	SDRAM Data[22]	B	ROM/NVRAM Address[18]	O	2
71	M_D_26	B8U	SDRAM Data[26]	B	ROM/NVRAM Address[22]	O	2
72	M_D_21	B8U	SDRAM Data[21]	B	ROM/NVRAM Address[17]	O	2
73	GPIO_D9	B4U	GenIOD[9]	B			
74	M_D_27	B8U	SDRAM Data[27]	B	ROM/NVRAM Address[23]	O	2

Table 16. 208-Pin Package Assignments (Continued)

Pin	Name	Type	Primary Function	Dir	Secondary Function	Dir	Note
75	M_D_20	B8U	SDRAM Data[20]	B	ROM/NVRAM Address[16]	O	2
76	M_D_28	B8U	SDRAM Data[28]	B			2
77	GPIO_D8	B4U	GenIOD[8]	B			
78	M_D_19	B8U	SDRAM Data[19]	B	ROM/NVRAM Address[15]	O	2
79	M_D_29	B8U	SDRAM Data[29]	B			2
80	M_D_18	B8U	SDRAM Data[18]	B	ROM/NVRAM Address[14]	O	2
81	NV_WE_N	B4U	NVRAM Write Enable	O	GenioMis[8]	B	
82	VSS_CORE	Gnd	Core Ground	I			
83	M_D_30	B8U	SDRAM Data[30]	B	ROM/NVRAM Decode Low	O	2
84	VDD_CORE	Pwr	Core Power 2.5V	I			
85	H_ALE	B4U	Host Address Latch	O	GenioHst[13]	B	
86	M_D_17	B8U	SDRAM Data[18]	B	ROM/NVRAM Address[13]	O	2
87	M_D_31	B8U	SDRAM Data[31]	B	ROM/NVRAM Decode High	O	2
88	M_D_16	B8U	SDRAM Data[16]	B	ROM/NVRAM Address[12]	O	2
89	GPIO_H14	B4U	GenioHst[14]	B			
90	NV_OE_N	O4	ROM/NVRAM Output Enable	O			
91	VDD_IO	Pwr	I/O Power 3.3V	I			
92	H_RD	B4S	Host Read Strobe	O		I	
93	H_WR	B4	Host Write Strobe	O		I	
94	GPIO_H15	B4U	GenioHst[15]	B			
95	H_RDY	B4	Host Ready	I		O	
96	VSS_IO	Gnd	I/O Ground	I			
97	H_A_2	B4	Host Address[2]	O	GenioHst[10]	B	
98	GPIO_H16	B4U	GenioHst[16]	B			
99	H_A_1	B4	Host Address[1]	O	GenioHst[9]	B	
100	H_A_0	B4	Host Address[0]	O	GenioHst[8]	B	
101	H_CS_1	B4	Host Chip Select [1]	O		I	
102	H_A_4	B4	Host Address[4]	O	GenioHst[12]	B	
103	VSS_CORE	Gnd	Core Ground	I			
104	VSS_PLL	Gnd	PLL Ground	I			
105	VDD_PLL	Pwr	PLL Power 2.5V	I			
106	H_CS_0	B4	Host Chip Select[0]	O		I	
107	H_A_3	B4	Host Address[3]	O	GenioHst[11]	B	
108	VDD_CORE	Pwr	Core Power 2.5V	I			
109	H_D_15	B4	Host Data[15]	B		I	1
110	H_D_14	B4	Host Data[14]	B		I	1
111	H_CS_3	B4	Host Chip Select[3]	O	GenioHst[18]	B	
112	H_D_13	B4S	Host Data[13]	B		I	1
113	H_D_12	B4	Host Data[12]	B		I	1

Table 16. 208-Pin Package Assignments (Continued)

Pin	Name	Type	Primary Function	Dir	Secondary Function	Dir	Note
114	H_D_11	B4	Host Data[11]	B		I	2
115	H_CS_2	B4	Host Chip Select[2]	O	GenioHst[17]	B	
116	H_D_10	B4	Host Data[10]	B		O	2
117	H_D_9	B4	Host Data[9]	B		I	2
118	H_D_8	B4	Host Data[8]	B		O	2
119	VSS_IO	Gnd	I/O Ground	I			
120	H_CKO	B4	Host Clock	O	GenioHst[19]	B	
121	H_D_7	B4	Host Data[7]	B		I	
122	H_D_6	B4	Host Data[6]	B		I	
123	H_D_5	B4	Host Data[5]	B		I	
124	AUD_BCK	B4	Audio Out Bit Clock	O	GenioMis[3]	B	3
125	H_D_4	B4	Host Data[4]	B		I	
126	VSS_CORE	Gnd	Core Ground	I			
127	H_D_3	B4	Host Data[3]	B		I	
128	AUD_LRCK	O4	Audio Out LR Clock	O			
129	VDD_CORE	Pwr	Core Power 2.5V	I			
130	H_D_2	B4	Host Data[2]	B		I	
131	VDD_IO	Pwr	I/O Power 3.3V	I			
132	H_D_1	B4	Host Data[1]	B		I	
133	AUD_DO_2	B4	Audio Out Data[2]	O	GenioMis[2]	B	3
134	H_D_0	B4	Host Data[0]	B		I	
135	AUD_DO_0	O4	Audio Out Data[0]	O			
136	AUD_DO_1	B4	Audio Out Data[1]	O	GenioMis[1]	B	3
137	AIN_BCK	IU	Audio In Bit Clock	I			
138	VSS_CORE	Gnd	Core Ground	I			
139	AIN_LRCK	IU	Audio In LR Clock	I			
140	AIN_DATA	B4U	Audio In Data	I	GenioMis[0]	B	3
141	VDD_CORE	Pwr	Core Power 2.5V	I			
142	CDC_DI	IU	Serial CODEC Data In	I			
143	VSS_IO	Gnd	I/O Ground	I			
144	CDC_DO	T4	Serial CODEC Data Out	O			
145	VIN_CLK	IU	Video Input Clock	I			
146	CDC_RST	T4	Serial CODEC Reset	O			
147	CDC_CK	IU	Serial CODEC Bit Clock	I			
148	CDC_SY	B4U	Serial CODEC Sync	B			
149	GPIO_V10	B4U	GenioMis[26]	B			
150	GPIO_D15	B4U	GenIOD[15]	B			
151	GPIO_D14	B4U	GenIOD[14]	B			
152	GPIO_D13	B4SU	GenIOD[13]	B			
153	VIN_VSNC	B4U	Video Input Vsync	I	GenioMis[25]	B	

Table 16. 208-Pin Package Assignments (Continued)

Pin	Name	Type	Primary Function	Dir	Secondary Function	Dir	Note
154	CLK27_O	B4U	Video Output Clock	O	GenioMis[6]	B	
155	GPIO_D12	B4U	GenIOD[12]	B			
156	VDD_PLL	Pwr	PLL Power 2.5V	I			
157	VSS_PLL	Gnd	PLL Ground	I			
158	VSS_CORE	Gnd	Core Ground	I			
159	HSYNC	B4U	Video Output Hsync	O	GenioMis[4]	B	
160	VIN_HSYNC	B4U	Video Input Hsync	I	GenioMis[24]	B	
161	VDD_CORE	Pwr	Core Power 2.5V	I			
162	VSYNC	B4U	Video Output Vsync	O	GenioMis[5]	B	
163	VDAT_0	O4	Video Output Data[0]	O			
164	VIN_D0	B4U	Video Input Data[0]	I	GenioMis[16]	B	
165	VDAT_1	O4	Video Output Data[1]	O			
166	VDAT_2	O4	Video Output Data[2]	O			
167	VDAT_3	O4	Video Output Data[3]	O			
168	VIN_D1	B4U	Video Input Data[1]	I	GenioMis[17]	B	
169	VDAT_4	O4	Video Output Data[4]	O			
170	VDAT_5	O4	Video Output Data[5]	O			
171	UNUSED		may leave unconnected				
172	VDAT_6	O4	Video Output Data[6]	O			
173	VDAT_7	O4	Video Output Data[7]	O			
174	GPIO_0	B4U	General Purpose IO[0]	B	Audio PLL Input Bypass	I	
175	VIN_D2	B4U	Video Input Data[2]	I	GenioMis[18]	B	
176	VSS_CORE	Gnd	Core Ground	I			
177	AUD_DO_3	B4U	Audio Out Data[3]	O	General Purpose IO[1]	B	
178	VDD_CORE	Pwr	Core Power 2.5V	I			
179	VIN_D3	B4U	Video Input Data[3]	I	GenioMis[19]	B	
180	VDD_IO	Pwr	I/O Power 3.3V	I			
181	GPIO_2	B4U	General Purpose IO[2]	B			
182	VSS_IO	Gnd	I/O Ground	I			
183	GPIO_3	B4U	General Purpose IO[3]	B			
184	VIN_D4	B4U	Video Input Data[4]	I	GenioMis[20]	B	
185	GPIO_4	B4U	General Purpose IO[4]	B			
186	SCL	B4U	I ² C Clock	B	General Purpose IO[5]	B	
187	SDA	B4U	I ² C Data	B	General Purpose IO[6]	B	
188	GPIO_7	B4U	General Purpose IO[7]	B			
189	VIN_D5	B4U	Video Input Data[5]	I	GenioMis[21]	B	
190	GPIO_8	B4U	General Purpose IO[8]	B			
191	AUD_XCLK	B4U	Audio 256x/384x Clock	B	General Purpose IO[9]	B	
192	GPIO_10	B4U	General Purpose IO[10]	B			
193	VIN_D6	B4U	Video Input Data[6]	I	GenioMis[22]	B	

Table 16. 208-Pin Package Assignments (Continued)

Pin	Name	Type	Primary Function	Dir	Secondary Function	Dir	Note
194	GPIO_11	B4U	General Purpose IO[11]	B			
195	GPIO_12	B4U	General Purpose IO[12]	B			
196	GPIO_13	B4U	General Purpose IO[13]	B			
197	GPIO_14	B4U	General Purpose IO[14]	B			
198	VIN_D7	B4U	Video Input Data[7]	I	GenioMis[23]	B	
199	GPIO_15	B4U	General Purpose IO[15]	B			
200	VSS_CORE	Gnd	Core Ground	I			
201	IR_IN	IS	Infrared input	I			
202	XTLCLOCK	I	27 MHz Clock In	I			
203	VDD_CORE	Pwr	Core Power 2.5V	I			
204	SPDIF_O	O4	S/PDIF Out	O			
205	RESET_N	IS	Reset In	I			
206	MFG_TEST	I	(Tie to ground)	I			
207	VIN_FLD	ID	Video Input Field	I			
208	VSS_PLL	Gnd	PLL Ground	I			

Table 16. 208-Pin Package Assignments (Continued)

- Notes:
1. M_D[31:16] are driving when CS7808 is reading ROM/NVRAM on M_D[15:0], which occurs immediately after reset.
 2. H_D(15:8) pins may be reassigned as GenIOHst(7:0)
 3. Pin can receive level or edge signals which generate an internal interrupt if pin is used as GPIO

6.2 Miscellaneous Interface Pins

These pins are used for used for basic functions such as clock and reset input. See Table 17. The I²C pins are used for both master and slave mode (8-bit slave address is 0x30 for write, and 0x31 for read).

Pin	Signal Name	Type	Description
186	SCL	B	I ² C Clock
187	SDA	B	I ² C Data
201	IR_IN	I	Infrared Input, from IR receiver.
202	XTLCLOCK	I	27 MHz Clock Input.
205	RESET_N	I	Reset Input, active low.
206	MFG_TEST	I	Manufacturing test pin, should always connect to ground.

Table 17. Miscellaneous Interface Pins

6.3 SDRAM Interface

These pins are used to interface the CS7808 with some external SDRAM. The CS7808 can interface with SDRAM of various sizes. Both 16 and 32-bit data width is supported, but best performance is achieved with 32 bits. Follow the instructions in Table 18 on how to interface with any particular configuration of SDRAM.

Pin	Signal Name	Type	Description
87, 83, 79, 76, 74, 71, 68, 64, 67, 70, 72, 75, 78, 80, 86, 88, 60, 56, 54, 49, 46, 44, 40, 33, 37, 42, 45, 48, 51, 55, 59, 62	M_D[31..0]	B	Memory Data Bus. CS7808 can use all 32 bits or can use only M_D[15..0], in which case M_D[31..16] can be left un-connected.
2, 3, 5, 6, 7, 9, 10, 11, 13, 14, 15, 16	M_A[11..0]	O	Memory Address Bus. Connect in order starting with M_A[0] to all RAM address pins not already connected to M_BS_L or M_AP. Unused upper M_A pins unconnected.
19	M_CKO	O	Memory Clock
22	M_CKE	O	Memory Clock Enable
21	M_BS_N	O	Bank Selection. Always connect to RAM BS or BS0 pin.
23	M_AP	O	Memory Auto Pre-charge. Always connect to RAM AP pin.
24	M_RAS_N	O	Memory Row Address Strobe
25	M_CAS_N	O	Memory Column Address Strobe
27	M_WE_N	O	Memory Write Enable
32, 31, 29, 28	M_DQM[3..0]	O	IO Mask of Data Bus M_DQM[3] -> M_D[31:24]

Table 18. SDRAM Interface

6.4 ROM/NVRAM Interface

This is the interface to the non-volatile memory that contains the firmware. See Table 19. It could be either ROM, NVRAM – FLASH, or EEPROM, or any combination of these types of memory. This interface can also connect to SRAM that would emulate a ROM on a development system. The bus width is 8 or 16 bits. Except for the NVM_WE_N and NVM_OE_N pins, all these pins are shared with the DRAM interface, which operates simultaneously with the ROM/NVRAM interface.

Pin	Signal Name	Type	Description
60, 56, 54, 49, 46, 44, 40, 33, 37, 42, 45, 48, 51, 55, 59, 62	M_D[15..0]	B	Memory Data Bus. Use M_D[7:0] for 8-bit interface
2, 3, 5, 6, 7, 9, 10, 11, 13, 14, 15, 16	M_A[11..0]	O	Memory Address Bus[11..0]
74, 71, 68, 64, 67, 70, 72, 75, 78, 80, 86, 88	M_D[27..16]	O	Memory Address Bus[23..12] For 16-bit data mode, M_D[26:16] is upper word address. For 8-bit data mode, M_D[27:16] is upper byte address.
83	M_D[30]	O	Address decode low. Copy of address MSB.
87	M_D[31]	O	Address decode high. Compliment of address MSB.
60	NVM_WE_N	O	NVRAM Write Enable.
62	NVM_OE_N	O	ROM/NVRAM Output Enable.

Table 19. ROM/NVRAM Interface

6.5 Video Output Interface

This is the interface to a video encoder chip that will send the CS7808 video signals to a TV. See Figure 20. The output format is either CCIR-601 or CCIR-656. The CS7808 supports both master and slave configuration. For CCIR-656 mode, the CS7808 must be the sync master. In this case, the HSYNC and VSYNC pins can be redefined as GPIOs.

Pin	Signal Name	Type	Description
154	CLK27_O	O	27 Mhz Clock Output.
159	HSYNC	B	Horizontal Sync. Output when the CS7808 is the video master, input when the video encoder is master.
162	VSYNC	B	Vertical Sync. Output when the CS7808 is the video master, input when the video encoder is master.
173, 172, 170, 169, 167, 166, 165, 163	VDAT[7..0]	O	Video Data Output[7..0] in Cb,Y,Cr,Y format.

Table 20. Video Output Interface

6.6 Video Input Interface

The CS7808 supports CCIR-601, CIF, and QCIF video input format through this interface. See Table 21.

Pin	Signal Name	Type	Description
145	VIN_CLK	I	Video Input Clock.
153	VIN_VSNC	I	Video Input Vertical Sync.
160	VIN_HSNC	I	Video Input Horizontal Sync.
207	VIN_FLD	I	Video Input Field.
198, 193, 189, 184, 179, 175, 168, 164	VIN_D [7..0]	I	Video Data Input[7..0] in Cb,Y,Cr,Y format.

Table 21. Video Input Interface

6.7 Audio Output/Input Interface

This is the audio PCM interface that connects to an audio CODEC. See Table 22. The sample rate and the size of the samples are programmable for both input and output direction.

Pin	Signal Name	Type	Description
191	AUD_XCLK	B	Audio 256x/384x Clock input or output to Serial DAC. When output, is generated from CS7808 internal PLL.
124	AUD_BCK	O	Audio Bit Clock output to serial DAC.
128	AUD_LRCK	O	Audio Out Left/Right Clock to serial DAC.
135	AUD_DO_0	O	Audio Serial Data Out[0].
136	AUD_DO_1	O	Audio Serial Data Out[1].
133	AUD_DO_2	O	Audio Serial Data Out[2].
177	AUD_DO_3	O	Audio Serial Data Out[3].
204	SPDIF_O	O	S/PDIF Output
137	AIN_BCK	I	Audio Input Bit Clock. The CS7808 can be programmed to use the Audio Output function's internally generated bit clock, in which case this pin is not required.
139	AIN_LRCK	I	Audio Input Left/Right Clock. The CS7808 can be programmed to use the Audio Output function's internally generated LR clock, in which case this pin is not required.
140	AIN_DATA	I	Audio Input Data from Serial ADC.

Table 22. Audio Input/Output Interface

6.8 AC97/CODEC Interface

This serial interface could be used either as a second PCM CODEC interface or as an AC97 serial link to an AC97 compliant CODEC. This interface could control a modem, or a second set of audio channels. Table 23 describes the pin to signal assignments for the AC97/CODEC Interface.

Pin	Signal Name	Type	Description
142	CDC_DI	I	Serial Data Input from Modem CODEC
144	CDC_DO	O	Serial Data Output to Modem CODEC
146	CDC_RST	O	Reset Output to Modem CODEC
147	CDC_CK	I	Serial Bit Clock input from Modem CODEC
148	CDC_SY	B	Frame Sync, output when CS7808 is master, input when CODEC is master.

Table 23. AC97/CODEC Interface

6.9 Host Master/ATAPI Interface

This 16-bit parallel host interface allows the CS7808 to be a host master, controlling other devices that would be used on the same system. See Table 24. The interface supports programmable protocols and speeds, including multiplexed and non-multiplexed addressing. Slaves with different protocols can be connected at the same time, controlled by different chip selects.

Pin	Signal Name	Type	Description
111, 115, 101, 106	H_CS[3..0]	O	Host Chip Select[3..0]. The host master can be programmed to use a different protocol for each of the 4 chip selects
85	H_ALE	O	Host address latch enable. Used for modes which multiplex upper address information onto the data lines
92	H_RD	O	Host Read Request.
93	H_WR	O	Host Write Request.
95	H_RDY	I	Host Ready. Connect to pull-up or pull-down if host is not used.
120	H_CKO	O	Host clock out, required for some synchronous slaves
102, 107, 97, 99, 100	H_A[4..0]	O	Host Address[4..0].
109, 110, 112, 113, 114, 116, 117, 118, 121, 122, 123, 125, 127, 130, 132, 134	H_D[15..0]	B	Host Data Bus[15..0]. These pins can also output Host Address during the address phase for multiplexed address/data mode. Tie together to pull-up or pull-down if host is not used.

Table 24. Host Master/ATAPI Interface

6.10 General Purpose Input/Output (GPIO)

The CS7808 provides 37 GPIO pins, each with individual output High-Z controls. High-Z means that the output driver is turned off or placed in the high-impedance state. Table 25 describes the General Purpose I/O Interface. Additional pins may also be re-defined as GPIO's.

Pin	Signal Name	Type	Description
26, 17, 4, 12, 8, 150, 151, 152, 155, 65, 69, 73, 77, 61, 57, 50, 47, 43, 39, 34, 30	GPIO_D[20:0]	B	21 General purpose I/O's
98, 94, 89	GPIO_H[16:14]	B	3 General purpose I/O's
149	GPIO_V10	B	General purpose I/O
199, 197, 196, 195, 194, 192	GPIO_[15:10]	B	6 General purpose I/O's
190, 188	GPIO_[8:7]	B	2 General purpose I/O's
195, 183, 181	GPIO_[4:2]	B	3 General purpose I/O's
174	GPIO_0	B	General purpose I/O

Table 25. General Purpose I/O Interface

6.11 Power and Ground

The CS7808 requires 3 different types of power supplies – PLLs, internal logic and IO pins -. The PLLs and internal logic use 2.5 V power supply, The IO pins use 3.3 V power supply, and are 5 V input tolerant. (See Table 26.)

Pin	Signal Name	Type	Description
1, 105, 158	VDD_PLL	I	2.5 V for internal PLLs
41, 66, 84, 108, 129, 141, 161, 178, 203	VDD_CORE	I	2.5 V for internal core logic
20, 38, 91, 131, 180	VDD_IO	I	3.3 V for I/O's
104, 157, 208	VSS_PLL	I	Ground for internal PLLs
36, 63, 82, 103, 126, 138, 158, 176, 200	VSS_CORE	I	Ground for internal core logic
18, 35, 58, 96, 119, 143, 182	VSS_IO	I	Ground for I/Os

Table 26. Power and Ground

Schematic & Layout Review Service

**Confirm Optimum
Schematic & Layout
Before Building Your Board.**

**For Our Free Review Service
Call Applications Engineering.**



C a l l : (5 1 2) 4 4 5 - 7 2 2 2

• **Notes** •



CIRRUS LOGIC[®]