

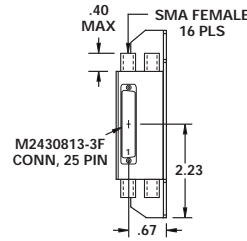
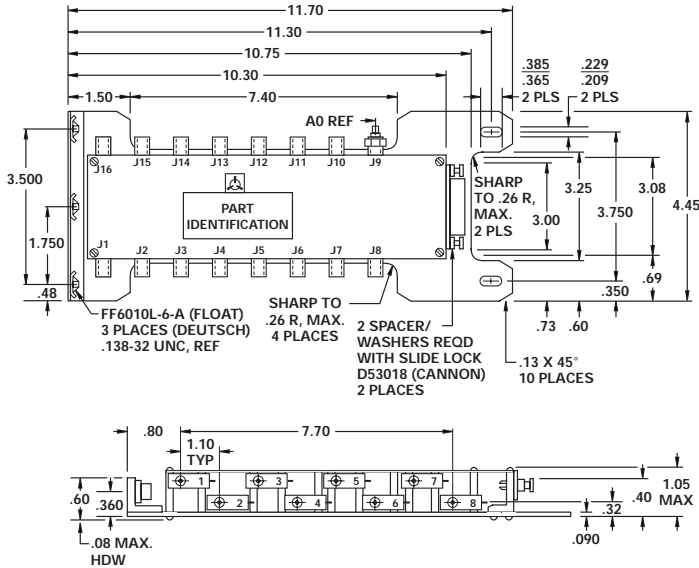
FEATURES

- 1 - 1200 MHz
- 6 dB LSB, 60 dB Range
- High Intercept Points
- 1.2 dB Insertion Loss
- Phase Balanced
- TTL Control
- Eight Integrated 5 Section Digital Attenuators



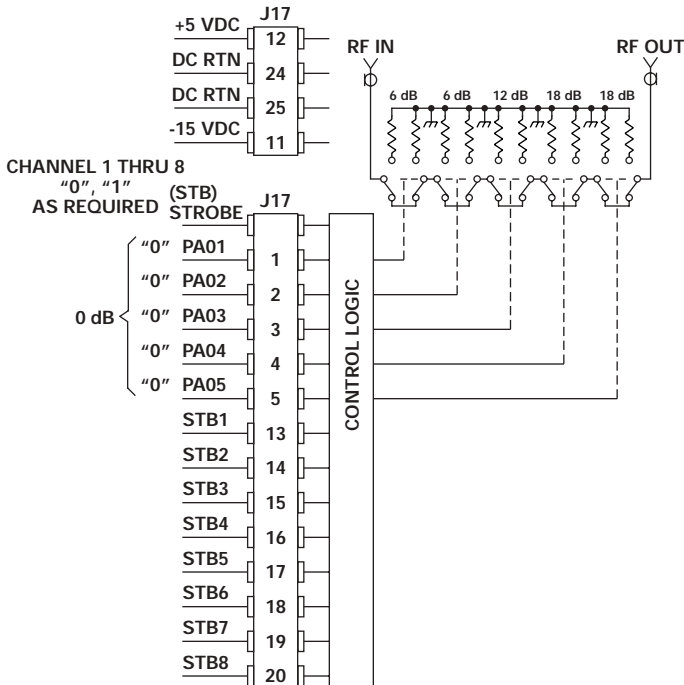
MODEL NO.
CSA09035

Digital Attenuator Assembly



LOGIC TABLE					
PA05	PA04	PA03	PA02	PA01	FUNCTION
0	0	0	0	0	0 dB
0	0	0	0	1	6 dB
0	0	0	1	1	12 dB
0	0	1	0	1	18 dB
0	0	1	1	1	24 dB
0	1	0	1	1	30 dB
0	1	1	0	1	36 dB
0	1	1	1	1	42 dB
1	1	0	1	1	48 dB
1	1	1	0	1	54 dB
1	1	1	1	1	60 dB
X	X	X	X	X	Invalid

GUARANTEED PERFORMANCE



Parameter	Min	Typ	Max	Units	Conditions
Operating Frequency	1		1200	MHz	
DC Current			400 200	mA	At +5 VDC Supply At -15 VDC Supply
Control Type		TTL			5 Line, See Logic Table Strobe, Active High, Leading Edge Trigger
Control Current	High Low	±1 ±1		µA	VIH = +2.7 V VIL = +0.5 V
Isolation	85	95		dB	Between Outputs
Insertion Loss		1.2	1.5	dB	
Attenuation	Phase LSB Range Accuracy	±1	±2	DEG dB dB dB	6, 6, 12, 18, 18 ±(0.4 dB +2% of Attenuation Setting in dB)
VSWR		1.25/1	1.35/1		
Impedance		50		OHMS	
Switching Speed		3.5	10	µSec	50% TTL to 90% / 10% RF
Transition (Rise/Fall) Time		1.0		µSec	10% / 90% to 90% / 10% RF
Switching (Video) Transients		-100 -100	-60 -75	dBm	1 - 100 MHz (At 10 Hz Rate) 100 - 1200 MHz (At 10 Hz Rate)
Intercept Points	2nd 3rd	+50 +33	+75 +39	dBm	
RF Power	Operate No Damage		+20 +15 +21 +30	dBm	0.1 dB Compression 1.0 dB Compression
Operating Temperature	0	+25	+75	°C	TA