

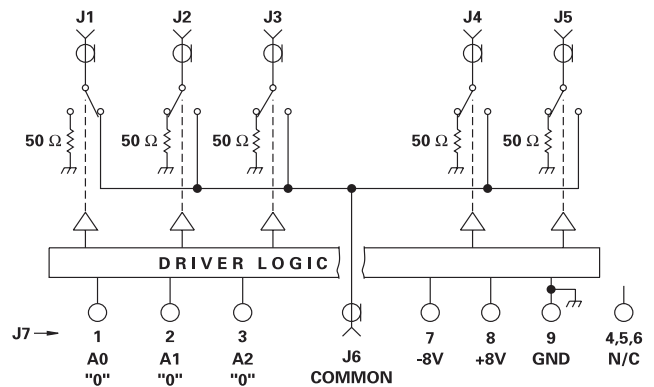
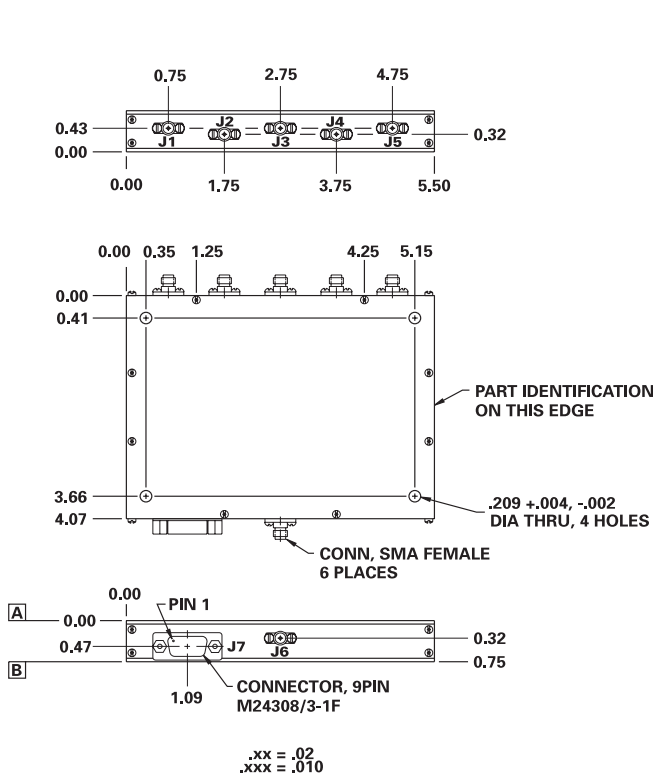
# MODEL NUMBER CSWM9096

## Switch SP5T

### FEATURES

- 1.5-30 MHz
- +116 dBm 2nd Isolation Point
- +60 dBm 3rd Isolation Point
- Amp/Phase Match
- 3 Watts

### SP5T



| TRUTH TABLE |    |    |                      |     |     |     |     |
|-------------|----|----|----------------------|-----|-----|-----|-----|
| CONTROL     |    |    | RF COMMON (J6) TO... |     |     |     |     |
| A2          | A1 | A0 | J1                   | J2  | J3  | J4  | J5  |
| 0           | 0  | 0  | ON                   | OFF | OFF | OFF | OFF |
| 0           | 0  | 1  | OFF                  | ON  | OFF | OFF | OFF |
| 0           | 1  | 0  | OFF                  | OFF | ON  | OFF | OFF |
| 0           | 1  | 1  | OFF                  | OFF | OFF | ON  | OFF |
| 1           | 0  | 0  | OFF                  | OFF | OFF | OFF | ON  |
| 1           | 0  | 1  | OFF                  | OFF | OFF | OFF | OFF |
| 1           | 1  | 0  | OFF                  | OFF | OFF | OFF | OFF |
| 1           | 1  | 1  | OFF                  | OFF | OFF | OFF | OFF |

### GUARANTEED PERFORMANCE

| Parameter                       | Min         | Typ   | Max    | Units | Conditions                |
|---------------------------------|-------------|-------|--------|-------|---------------------------|
| Operating Frequency             | 1.5         |       | 30     | MHz   |                           |
| DC Current                      |             | 31    | 50     | mA    | At +8 VDC Supply          |
|                                 |             | 3     | 10     | mA    | At -8 VDC Supply          |
| Control Type                    |             | TTL   |        |       | 5 Line See Table          |
| Control Current                 | High        | ±1    | ±20    | μA    | V <sub>IH</sub> = +2.7 V  |
|                                 | Low         | ±1    | ±20    | μA    | V <sub>IL</sub> = +0.5 V  |
| Insertion Loss                  |             | 0.76  | 1.1    | dB    |                           |
| Phase Match Port to Port        |             | ±0.5  | ±2     | deg   |                           |
| Amplitude Matching Port to Port |             | ±0.05 | ±0.5   | dB    |                           |
| Isolation                       |             | 45    | 52     | dB    |                           |
| VSWR                            | Thru        | 1.1/1 | 1.25/1 |       |                           |
|                                 | Termination | 1.1/1 | 1.5/1  |       |                           |
| Impedance                       |             | 50    |        | OHMS  |                           |
| Switching Speed                 |             | 0.13  | 500    | μSec  | 50% TTL to 90% / 10% RF   |
| Transition (Rise/Fall) Time     |             | 40    |        | nSec  | 10% / 90% or 90% / 10% RF |
| Switching (Video) Transients    |             | 10    | 100    | mV    | Peak Value                |
| Intercept Points                | 2nd         | +107  | +116   | dBm   |                           |
|                                 | 3rd         | +58   | +60    | dBm   |                           |
| RF Power                        | Operate     |       | +36    | dBm   | 1 dB Compression          |
|                                 | No Damage   |       | +30    | W     | Thru or Common Port       |
| Operating Temperature           | 0           | +25   | +40    | °C    | TA                        |

