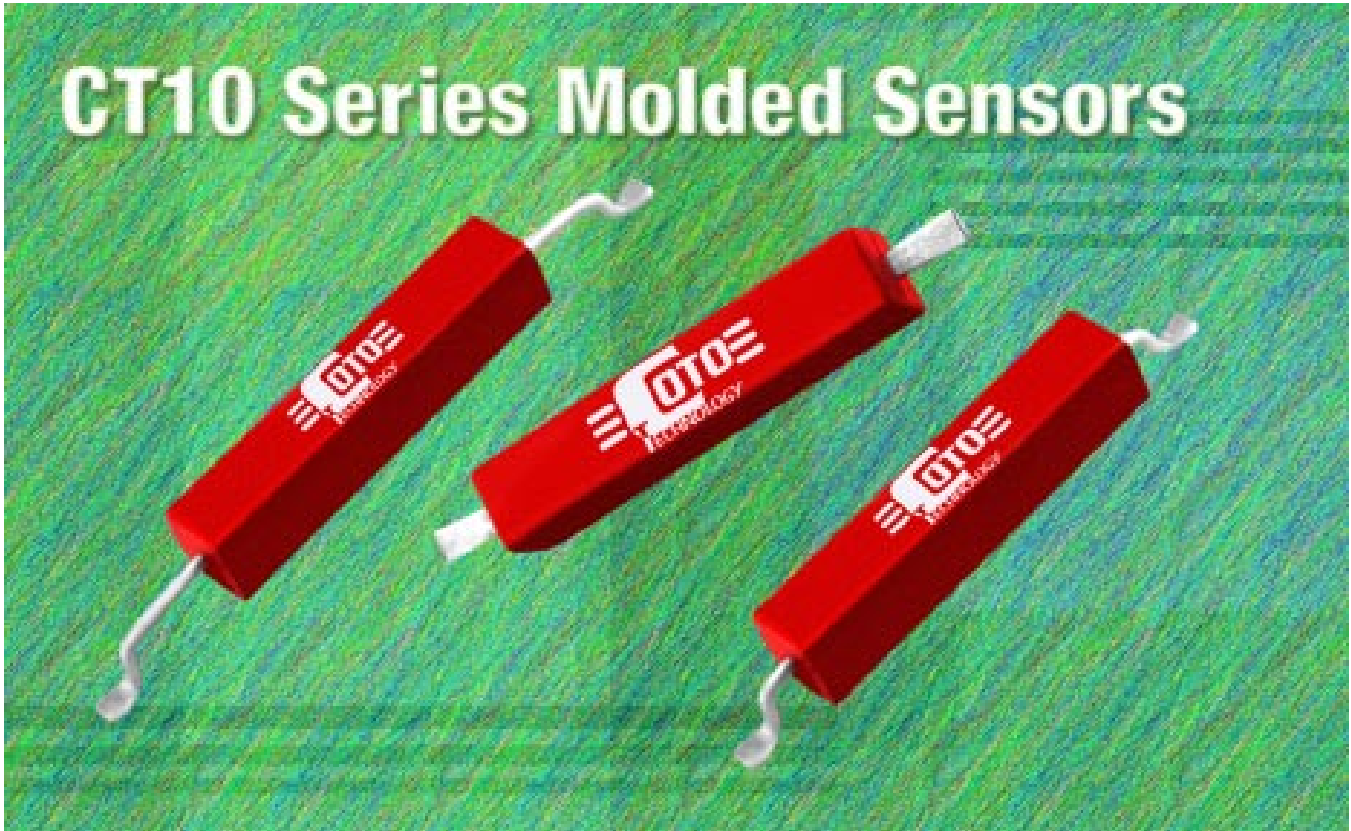


CT10 Series Molded Sensors



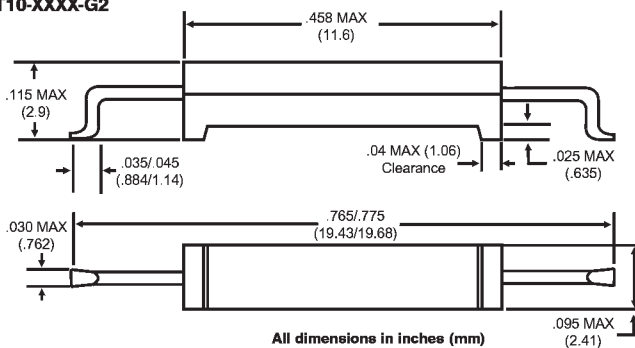
CT10 SERIES MOLDED SENSORS

The CT10 series is a reed-based proximity sensor activated by the presence of a magnetic field. It is designed for SMD mounting.

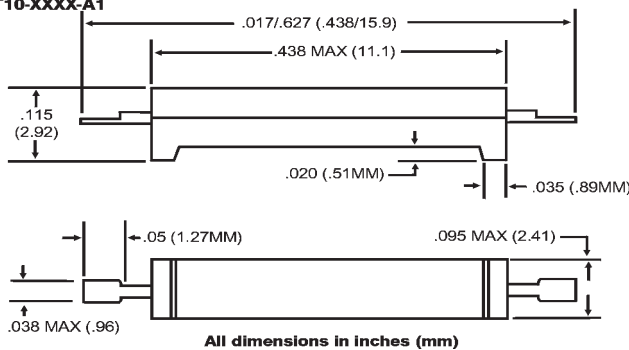
SERIES FEATURES

- Ideal for SMD pick-and-place
- Rugged encapsulation
- Excellent lifetime and reliability
- Gold and sputtered ruthenium contact layers
- Tape and Reel packaging
- Sample applications include laptop covers, security system sensors, electric gas metering, fluid flow sensors, and level sensors

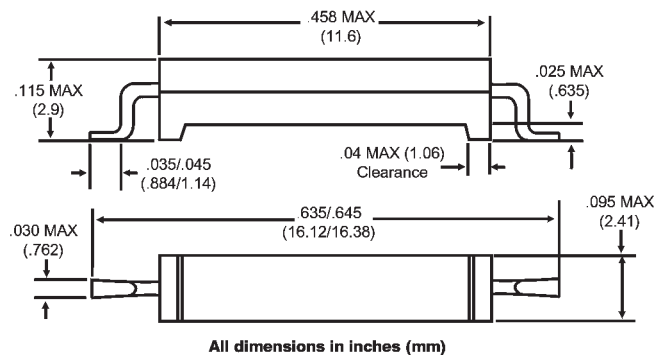
CT10-XXXX-G2



CT10-XXXX-A1



CT10-XXXX-G1

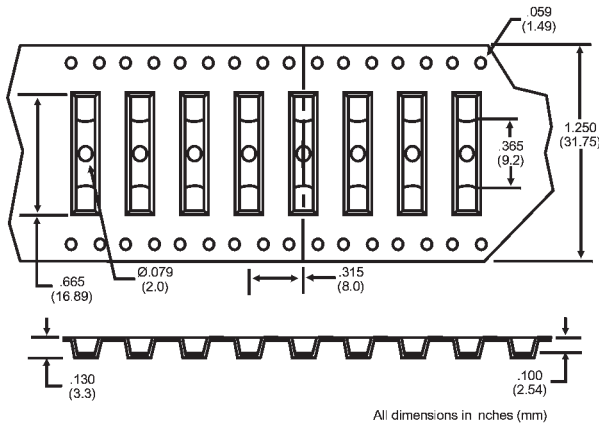


CT10 SERIES MOLDED SENSORS

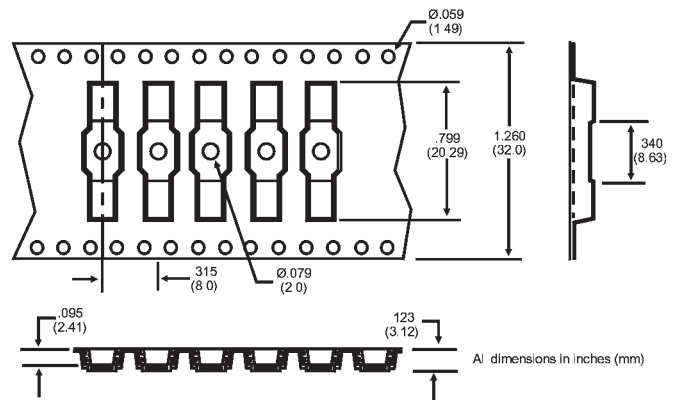
Electrical Characteristics				
Parameters	Units	CT10-XXXX-G1	CT10-XXXX-G2	CT10-XXXX-A1
Operate Range *	AT	10-40	10-30	10-40
Release Range *	AT	n.d.	n.d.	n.d.
Switched Power (max)	VA	10	10	10
Switched Current (max)	mA	500	500	500
Switched Voltage (max)	VDC	200	200	200
Switched Voltage (max)	VAC	140	140	140
Breakdown Voltage (min)	VDC	230	230	230
Contact Resistance (max)	mΩ	115	115	115
Insulation Resistance (min)	MΩ	1 x 10 ⁶	1 x 10 ⁶	1 x 10 ⁶

*Measured in 10jk coil after Modification

TAPE & REEL



CT10-XXXX-G1 / CT10-XXXX-A1



CT10-XXXX-G2

Ordering Information

CTXX-XXXX-XX	
Coto Technology	Lead Configuration Subset:
Raw Switch Glass	For Gull wing:
Length (rounded down to the next whole mm)	1 - 0.640" overall length
Lower AT Value	2 - 0.770" overall length
(after mold and lead form)	For Axial:
Upper AT Value	1 - 0.622" overall length
(after mold and lead form)	Lead Configuration:
	G - Gull wing
	A - Axial

USA
 55 DuPont Drive • Providence RI 02907 USA
 401-943-COTO (2686) • FAX: 401-942-0920

The Netherlands
 Jan Campertstraat 5 • 6416 SG Heerlen
 Tel: +31 45 5439345 • FAX: +31 45 5427216