

SPECIFICATIONS

Electrical Ratings	50mA @ 48VDC
Electrical Life	100,000 cycles typical
Contact Resistance	< 50 mΩ initial
Actuation Force	100 +/- 50gF 130 +/- 30gF 160 +/- 30gF 260 +/- 50gF
Actuator Travel	.25 +/- .1mm
Dielectric Strength	1000Vrms min
Insulation Resistance	> 100MΩ min
Operating Temperature	-40°C to 85°C
Storage Temperature	-40°C to 85°C



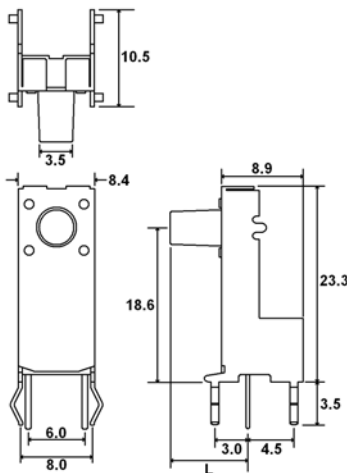
MATERIALS ←RoHS COMPLIANT

Actuator	6/6 Nylon
Housing	6/6 Nylon
Cover	Steel, Tin Plated
Contacts	Phosphor Bronze, Silver Plated
Terminals	Brass, Silver Plated

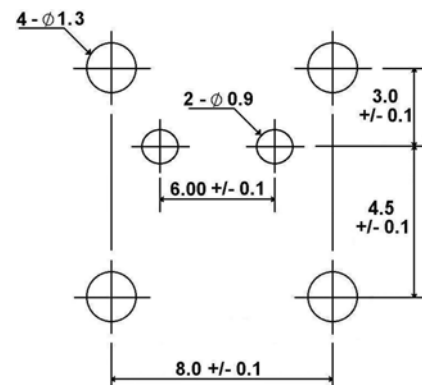
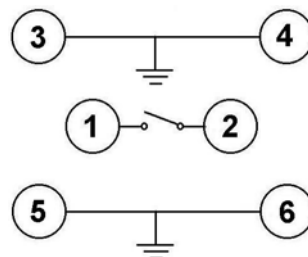
ORDERING INFORMATION

1. Series:	CT1102VS2	9.85	F260
CT1102VS1			
CT1102VS2			
2. Actuator Length "L" (mm):			
3.15			
3.85			
4.00 ** Only available for CT1102VS1			
5.85			
6.85			
8.35			
3. Actuation Force:			
F100 = 100gF			
F130 = 130gF			
F160 = 160gF			
F260 = 260gF			

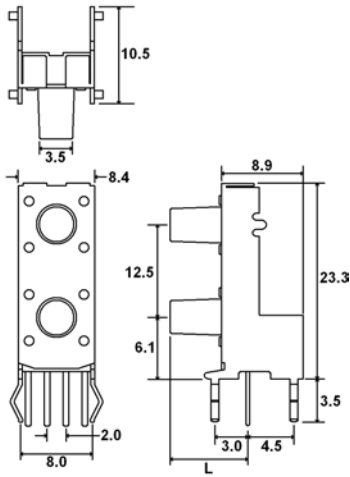
DIMENSIONS



Part Number	"L" (mm)
CT1102VS14.0	4.0



DIMENSIONS



Part Number	"L" (mm)
CT1102VS23.15	3.15
CT1102VS23.85	3.85
CT1102VS25.85	5.85
CT1102VS26.85	6.85
CT1102VS28.35	8.35

