

Toroidal Inductors

Medium Current

CTP4554

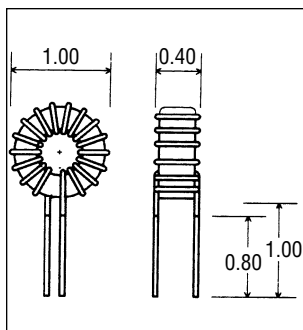
CTP4554 is a medium current inductor with the following data and features:

- **Core type:** 0.80" o.d., Moly-Permalloy Powder, perm 60.
 - **Power rating:** 1.2 watts for temp. rise 50°C.
 - **Typical applications:** Switching Inductors in Switch Mode Power Supplies.
- Four mounting styles are offered:**
- 1 Flying leads (1.00"), for vertical or horizontal mounting.
 - 2 4-pin header, for vertical mounting.
 - 3 Threaded center hole, flying leads (2.00").
 - 4 2-pin header, for vertical mounting.

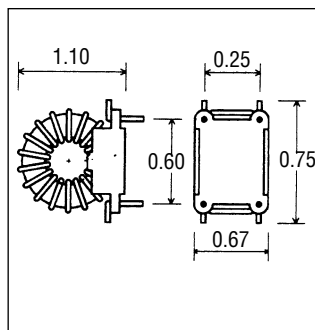


MECHANICAL

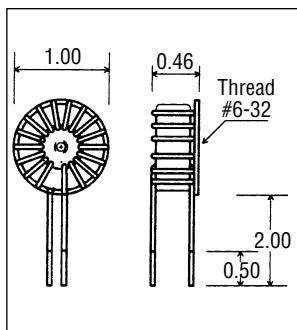
Style 1



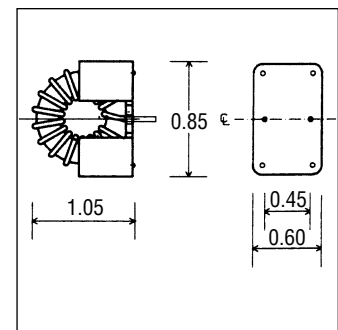
Style 2



Style 3



Style 4



ELECTRICAL SPECIFICATION

Ordering Information: Substitute the style number for the asterisk (*). Example: CTP4554, Style 1, 56uH. Order: CTP4554 - 116

Part No. CTP4554 -	Ind. (uH)	DCR Ohms	Rated Current Amp. RMS	I (amp.) @ Lsat. 10%	I (amp.) @ Lsat. 25%	I (amp.) @ Lsat. 50%	Part No. CTP4554 -	Ind. (uH)	DCR Ohms	Rated Current Amp. RMS	I (amp.) @ Lsat. 10%	I (amp.) @ Lsat. 25%	I (amp.) @ Lsat. 50%
* 01	3.3	0.005	16.2	14.4	23.9	39.9	* 17	68	0.032	6.2	3.2	5.3	8.8
* 02	3.9	0.005	15.5	13.2	22.0	36.7	* 18	82	0.035	5.9	2.9	4.8	8.0
* 03	4.7	0.005	14.9	12.0	20.1	33.4	* 19	100	0.038	5.6	2.6	4.3	7.2
* 04	5.6	0.006	14.3	11.0	18.4	30.6	* 20	120	0.042	5.4	2.4	4.0	6.6
* 05	6.8	0.006	13.6	10.0	16.7	27.8	* 21	150	0.047	5.1	2.1	3.5	5.9
* 06	8.2	0.007	13.0	9.1	15.2	25.3	* 22	180	0.064	4.3	1.9	3.2	5.4
* 07	10	0.008	12.4	8.2	13.7	22.9	* 23	220	0.090	3.6	1.8	2.9	4.9
* 08	12	0.009	11.9	7.5	12.5	20.9	* 24	270	0.125	3.1	1.6	2.6	4.4
* 09	15	0.009	11.2	6.7	11.2	18.7	* 25	330	0.138	2.9	1.4	2.4	4.0
* 10	18	0.010	10.8	6.1	10.2	17.1	* 26	390	0.190	2.5	1.3	2.2	3.7
* 11	22	0.011	10.2	5.6	9.3	15.4	* 27	470	0.208	2.4	1.2	2.0	3.3
* 12	27	0.013	9.7	5.0	8.4	13.9	* 28	560	0.227	2.3	1.1	1.8	3.1
* 13	33	0.018	8.3	4.5	7.6	12.6							
* 14	39	0.024	7.1	4.2	7.0	11.6							
* 15	47	0.026	6.8	3.8	6.3	10.6							
* 16	56	0.029	6.5	3.5	5.8	9.7							

CTP4554