

Fibre Channel Repeater

Description

The CXB1585N is a repeater IC with a built-in PLL clock recovery circuit for Fibre Channel 1.06Gbaud. This IC incorporates a port bypass circuit and is suitable for disk array and FC-AL HUB, etc.

Features

- Conforms to ANSI X3T11 Fibre Channel standard
- Single 3.3V power supply
- Low power consumption: 330mW (Typ.)
- Low jitter
- PLL lock detection circuit
- Port bypass circuit
- Small plastic package (24-pin SSOP)



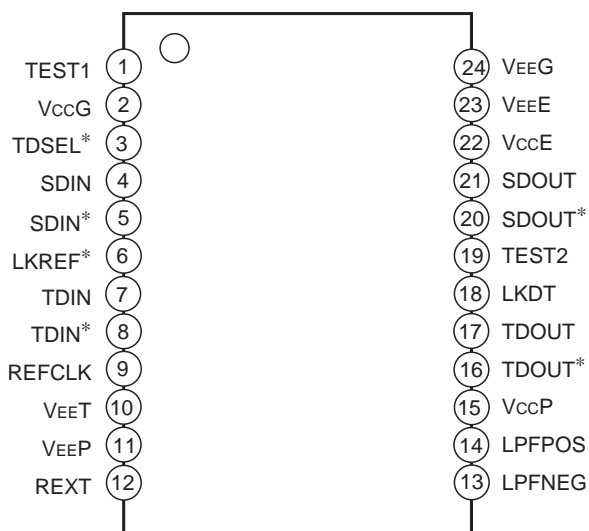
Applications

- Fibre channel arbitrated loop 1.0625Gbaud HUB
- Disk array

Structure

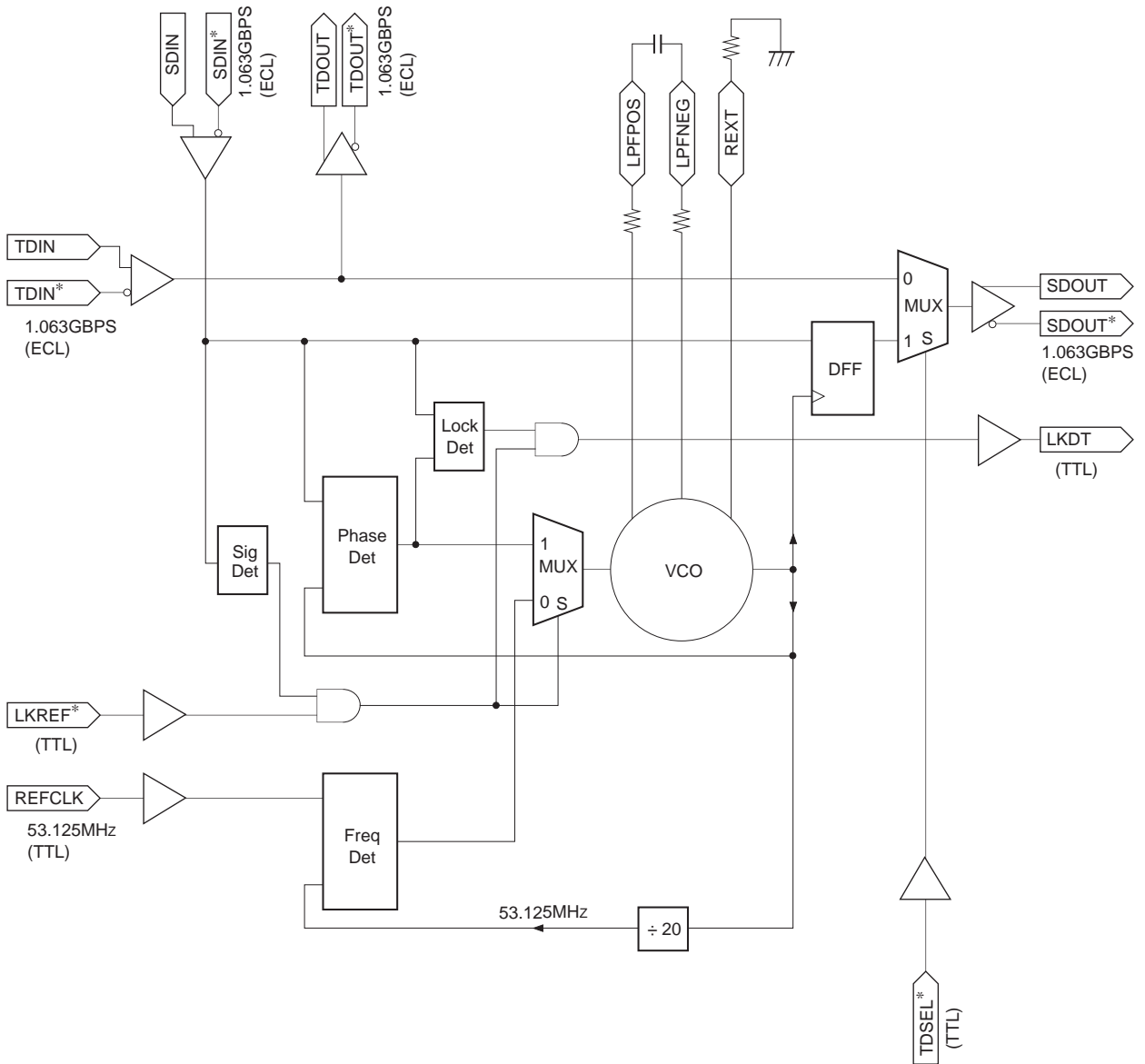
Bipolar silicon monolithic IC

Pin Configuration



Sony reserves the right to change products and specifications without prior notice. This information does not convey any license by any implication or otherwise under any patents or other right. Application circuits shown, if any, are typical examples illustrating the operation of the devices. Sony cannot assume responsibility for any problems arising out of the use of these circuits.

Block Diagram



Absolute Maximum Ratings ($V_{EE}, V_{ET}, V_{EG}, V_{EP} = 0V$)

Item	Symbol	Min.	Typ.	Max.	Unit
Supply voltage	V_{CC}	-0.3		4	V
TTL DC input voltage	V_{I_T}	-0.5		5.5	V
ECL DC input voltage	V_{I_E}	$V_{CC} - 2$		V_{CC}	V
ECL differential input voltage	V_{IS_E}	-2		2	V
TTL output current (High level)	I_{OH_T}	-20		0	mA
TTL output current (Low level)	I_{OL_T}	0		20	mA
ECL output current	I_{O_E}	-30		0	mA
Operating ambient temperature	T_a	-55		70	°C
Storage temperature	T_{stg}	-65		150	°C

Recommended Operating Conditions ($V_{EE}, V_{ET}, V_{EG}, V_{EP} = 0V$)

Item	Symbol	Min.	Typ.	Max.	Unit
Supply voltage	V_{CC}	3.135	3.3	3.465	V
Ambient temperature	T_a	0		70	°C

Pin Description

Pin No.	Symbol	Type	Typical pin I/O voltage	Equivalent circuit	Description
1, 19	TEST1 TEST2	TTL input	3.3V		Test pin. Connect to Vcc.
2	VccG	Power supply	3.3V	—	Positive power supply for internal logic gate.
3	TDSEL*	TTL input	TTL level		High; SDOUT outputs the SDIN retimed data. Low; SDOUT outputs TDIN data.
4, 5	SDIN SDIN*	ECL input	ECL level		Serial data input.
6	LKREF*	TTL input	TTL level		Low; PLL takes the frequency from REFCLK.

Pin No.	Symbol	Type	Typical pin I/O voltage	Equivalent circuit	Description
7, 8	TDIN TDIN*	ECL input	ECL level		Serial data input.
9	REFCLK	TTL input	TTL level		Reference clock input. This pin is used for the PLL to take the frequency. Input 53.125MHz to this pin.
10	VEE T	Power supply	0V		Negative power supply for REFCLK input.
11	VEE P	Power supply	0V		Negative power supply for internal PLL.
12	REXT	External parts connection pin	—		Connects the resistor which determines the VCO center frequency. 4.7kΩ resistor should be connected between this pin and VEE P.
13, 14	LPFNEG LPFPOS	External parts connection pin	—		Connects the external loop filter.

Pin No.	Symbol	Type	Typical pin I/O voltage	Equivalent circuit	Description
15	VccP	Power supply	3.3V		Positive power supply for PLL.
16, 17	TDOUT* TDOUT	ECL output	ECL level		Outputs the data input from TDIN via a buffer.
18	LKDT	TTL output	TTL level		PLL clock detection signal output. Outputs high level when PLL is locked to the serial data; Outputs low level when LKREF is in the low level or the serial data has no signal. The LKDT output may sporadically go high when the PLL starts to lock to the serial data.
20, 21	SDOUT* SDOUT	ECL output	ECL level		Outputs the serial data selected by TDSEL*.
22	VccE	Power supply	—		Positive power supply for input/output.
23	VEEE	Power supply	—		Negative power supply for input/output.
24	VEEG	Power supply	—		Negative power supply for internal logic gate.

Electrical Characteristics

DC Characteristics

(under the recommended operating conditions)

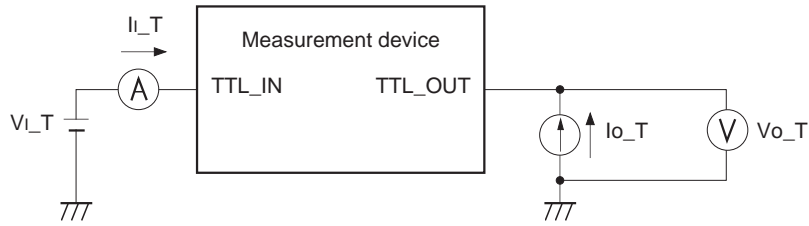
Item	Symbol	Min.	Typ.	Max.	Unit	Conditions
TTL high level input voltage	V _{IH_T}	2		5.5	V	
TTL low level input voltage	V _{IL_T}	0		0.8	V	
TTL high level input current	I _{IH_T}			20	μA	V _{IH} = V _{CC}
TTL low level input current	I _{IL_T}	-400			μA	V _{IL} = 0
TTL high level output voltage	V _{OH_T}	2.2			V	I _{OH} = -0.4mA
TTL low level output voltage	V _{OL_T}			0.5	V	I _{OL} = 2mA
ECL high level input voltage	V _{IH_E}	V _{CC} - 1.17		V _{CC} - 0.88	V	
ECL low level input voltage	V _{IL_E}	V _{CC} - 1.81		V _{CC} - 1.48	V	
ECL differential input voltage	V _{IS_E}	200		1000	mV	AC coupling input
ECL high level output voltage	V _{OH_E}	V _{CC} - 1.05		V _{CC} - 0.81	V	50Ω terminated to V _{CC} - 2V
ECL low level output voltage	V _{OL_E}	V _{CC} - 1.81		V _{CC} - 1.55	V	50Ω terminated to V _{CC} - 2V
ECL output amplitude	V _{OS_E}	650			mV	50Ω terminated to V _{CC} - 2V
Current consumption	I _{CC}		101	127	mA	Output pins open
Power consumption	P _D		333	438	mW	Output pins open

AC Characteristics

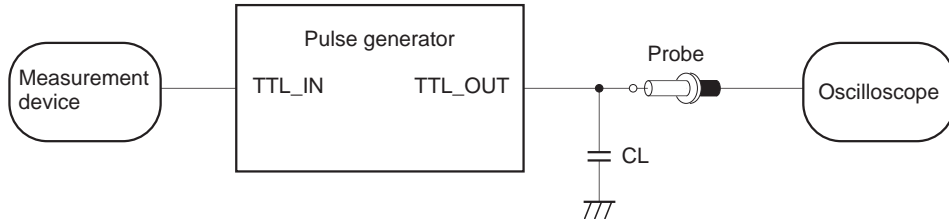
(under the recommended operating conditions)

Item	Symbol	Min.	Typ.	Max.	Unit	Conditions
REFCLK rise time	T _{ir_RC}			4.8	ns	0.8 to 2.0V
REFCLK fall time	T _{if_RC}			4.8	ns	2.0 to 0.8V
TTL output rise time	T _{or_T}			3.5	ns	0.8 to 2.0V, C _L = 10pF
TTL output fall time	T _{of_T}			3.5	ns	2.0 to 0.8V, C _L = 10pF
ECL output rise time	T _{or_E}			400	ps	20 to 80%, C _L ≤ 2pF
ECL output fall time	T _{of_E}			400	ps	20 to 80%, C _L ≤ 2pF
SDIN data rate	SDIN	1000	1062.5	1100	Mbaud	
REFCKL cycle tolerance	T _{tol_RC}	-100	0	100	ppm	Refer to the SDIN cycle
Jitter tolerance	JT			0.7	UI	
Deterministic jitter	Dj		0.02	0.07	UI	±K28.5 serial data
Random jitter	RJ		0.18	0.23	UI	Serial data
Bit sync time	T _{bs}			2500	bit	FC Idle Pattern
Frequency take-in time	T _{fa}			500	μs	Loop Damping Capacitor C ₁ = 0.01μF

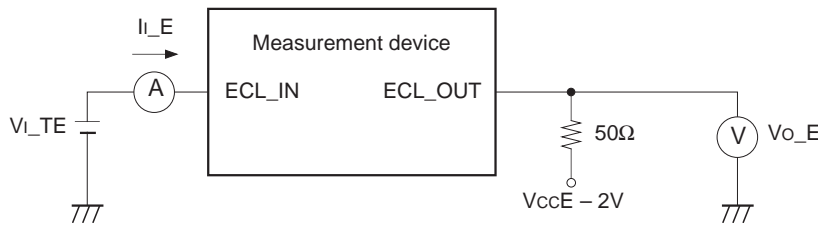
Electrical Characteristics Measurement Circuit (See "Fig. 3 Power Supply Circuit" regarding the power supply.)



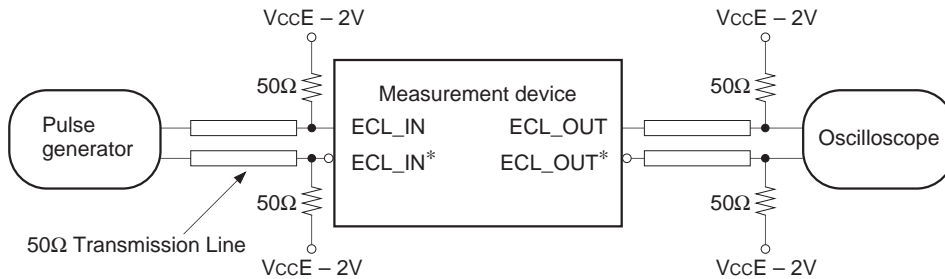
(a) TTL I/O DC characteristics measurement circuit



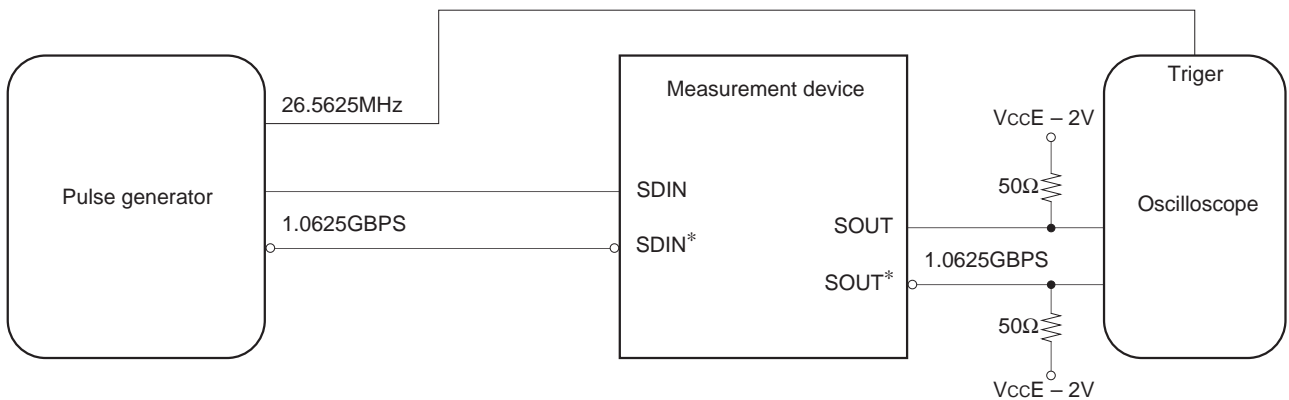
(b) TTL I/O AC characteristics measurement circuit



(c) ECL I/O DC characteristics measurement circuit



(d) ECL I/O AC characteristics measurement circuit



(e) Jitter characteristics measurement circuit

Notes on Operation

1. Clock synthesizer (PLL)

The CXB1585N has a PLL-based clock recovery circuit for recovering the clock from the serial data. This clock recovery circuit requires an external loop filter and an external resistor which determines the VCO center frequency. The external part circuit and recommended constant values are shown in the figure below. The parasitic capacitance attached to the IC pins (Pins 12, 13 and 14) which are used to connect external parts should be kept as small as possible in order to obtain the good PLL characteristics. In addition, capacitor C1 should have a small temperature coefficient to reduce the temperature dependence of the VCO oscillation frequency.

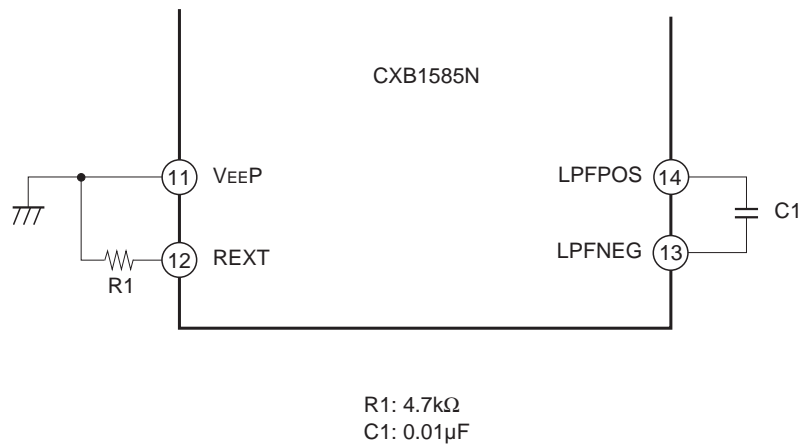
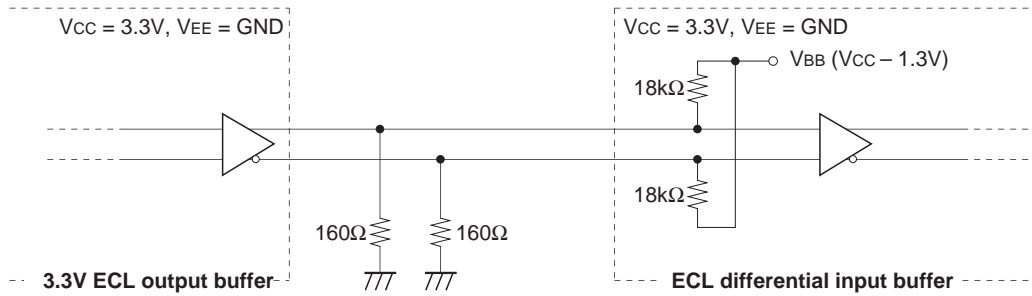


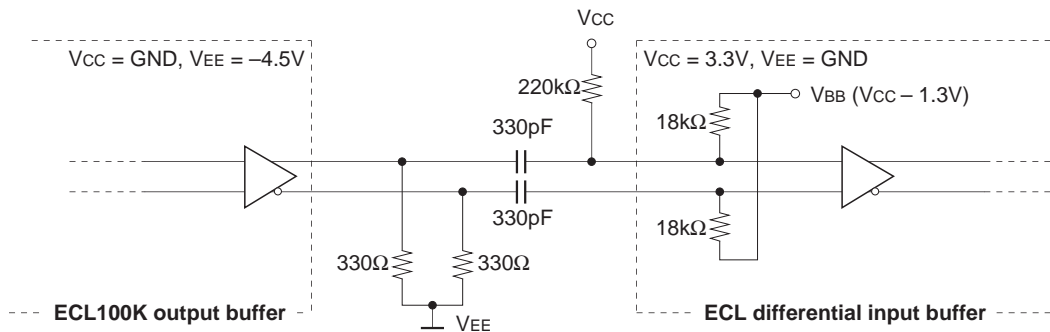
Fig. 1. External Part Circuit and Recommended Constants

2. ECL input circuit

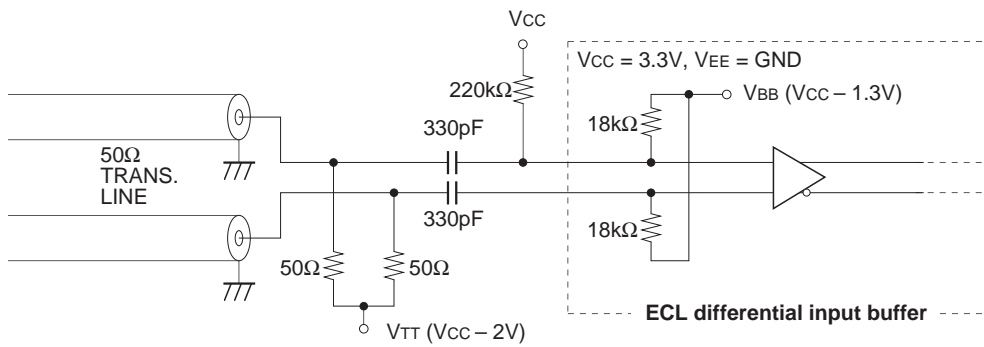
The ECL differential input pins are biased to V_{BB} ($V_{CC} - 1.3V$) via an $18k\Omega$ resistor in the IC. See the figures below for ECL differential input methods.



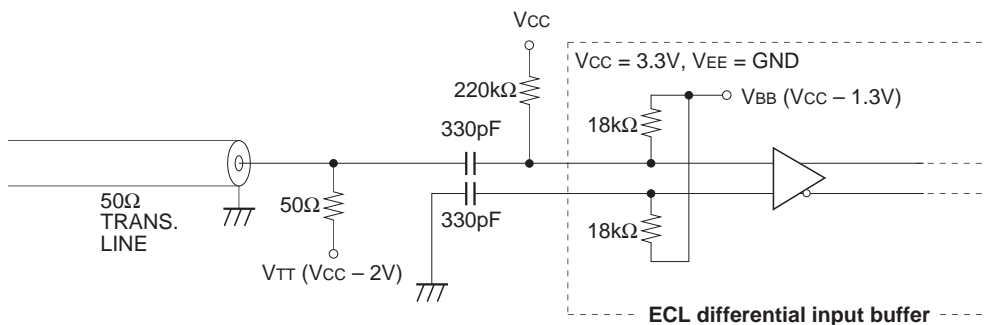
(a) ECL differential signal from 3.3V ECL output buffer



(b) ECL differential signal from ECL 100K output buffer



(c) ECL differential signal from 50Ω transmission line



(d) ECL single signal from 50Ω transmission line

Fig. 2. ECL Input Circuits

3. Power supply

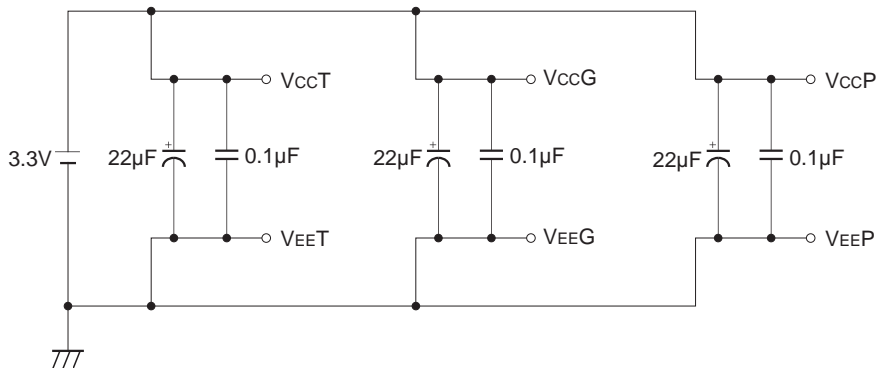
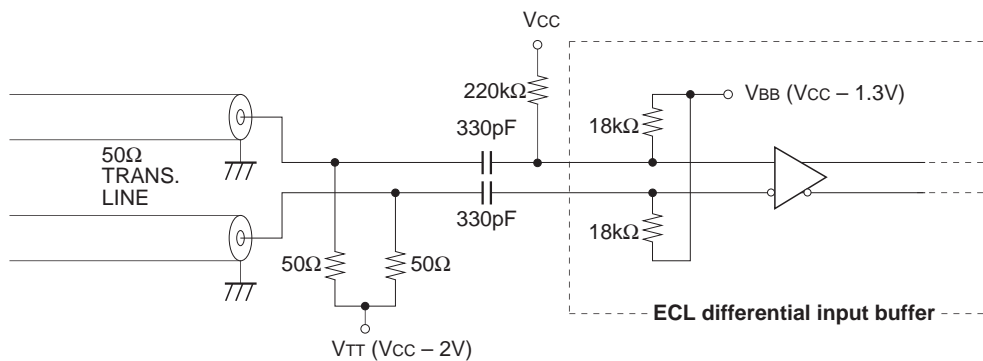


Fig. 3. Power Supply Circuit

4. SDIN, SDIN* inputs

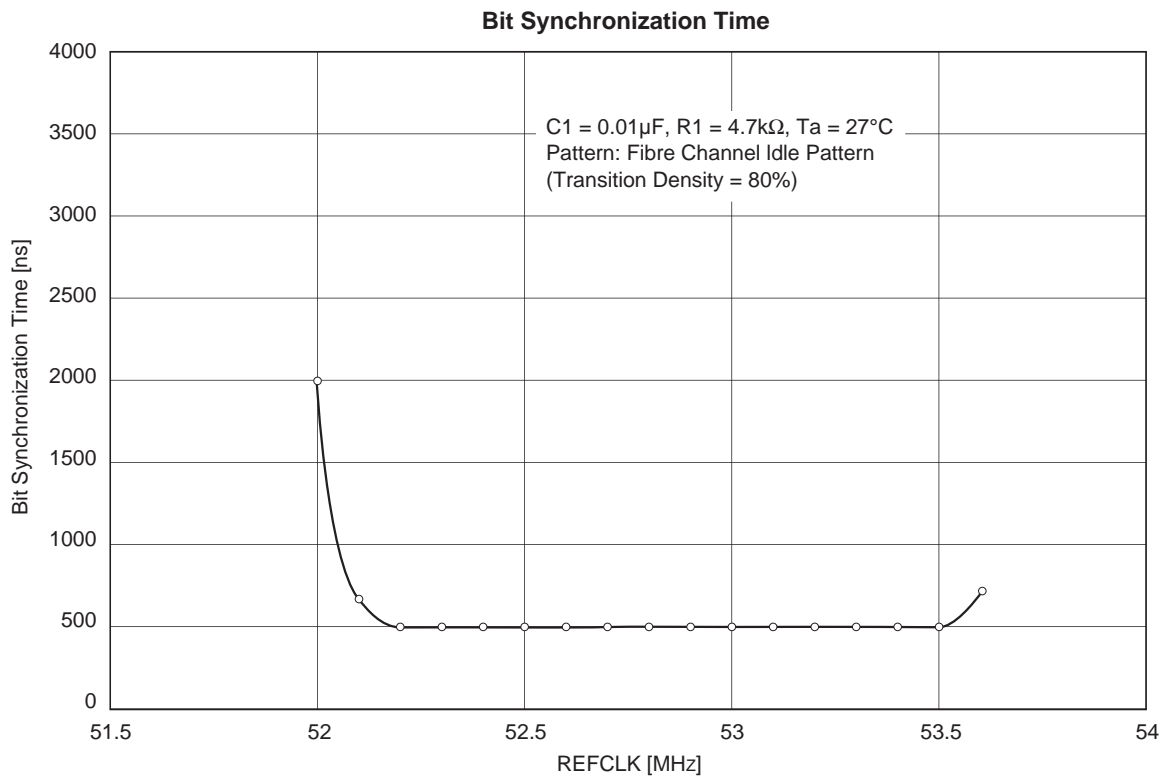
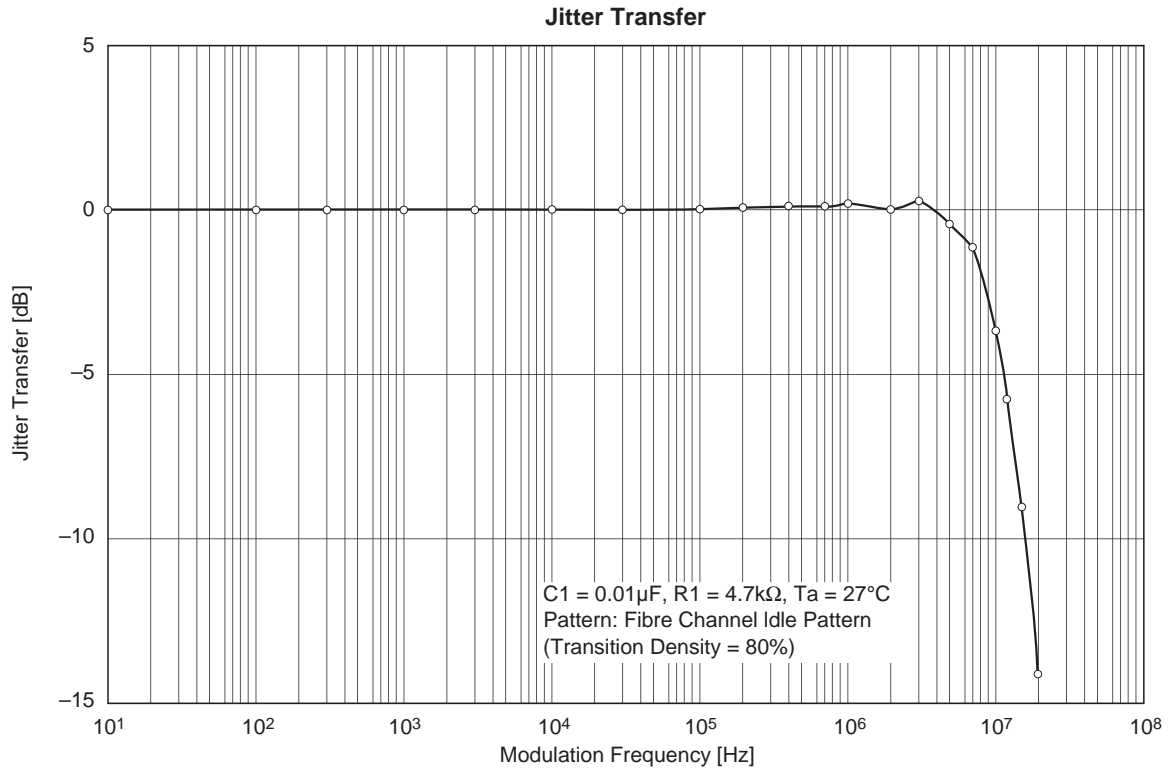
Normally, the VCO performs frequency comparison with the SDIN and SDIN* serial data. When there is no input to SDIN and SDIN*, frequency comparison is executed with REFCLK. However, the frequency may not be compared to REFCLK if the noise and others are detected as a signal for no signal state because the both phases of the ECL differential inputs are internally biased to V_{BB} shown below. As countermeasure to this, connect either of the differential inputs to V_{CC} via a resistor to generate the voltage difference for the both phases.



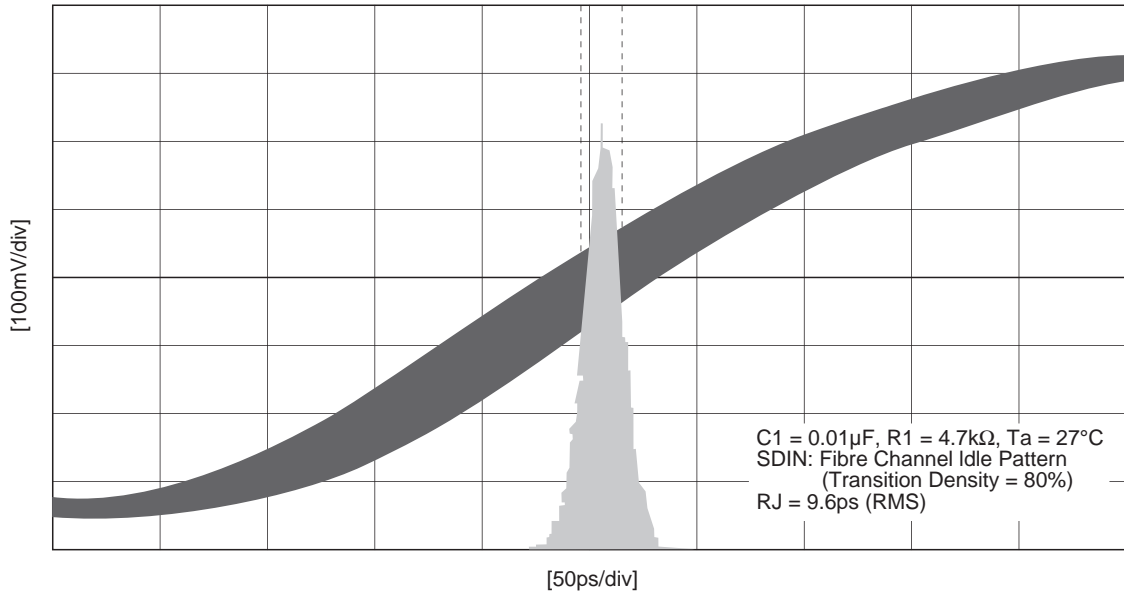
ECL differential signal from 50Ω transmission line

Fig. 4. SDIN and SDIN* Input Example

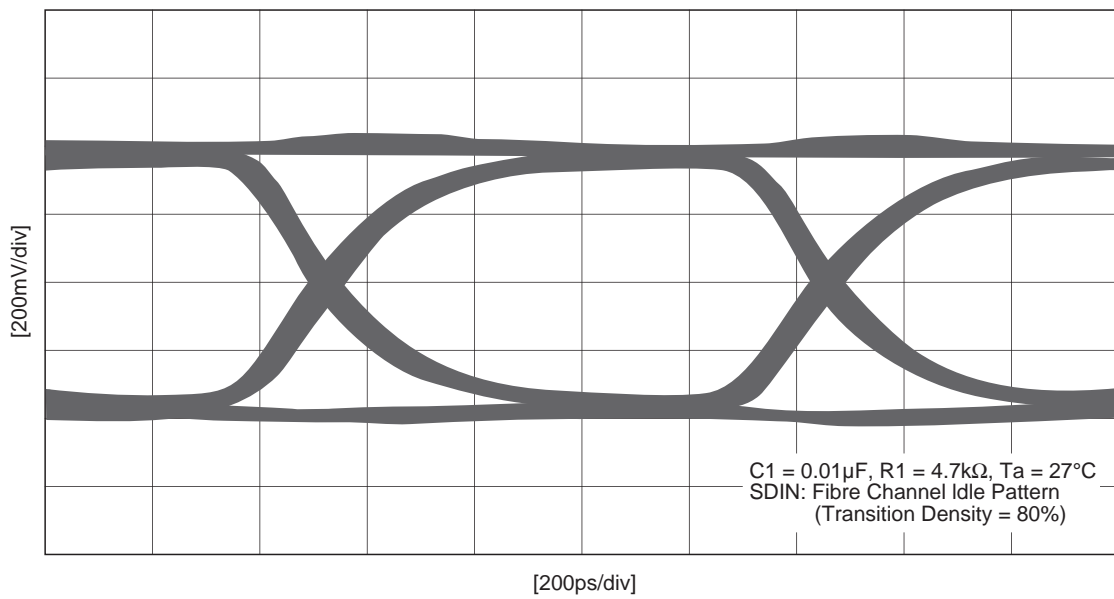
Example of Representative Characteristics



Example of Random jitter measurement (Retimed data 1.0625Gbps)



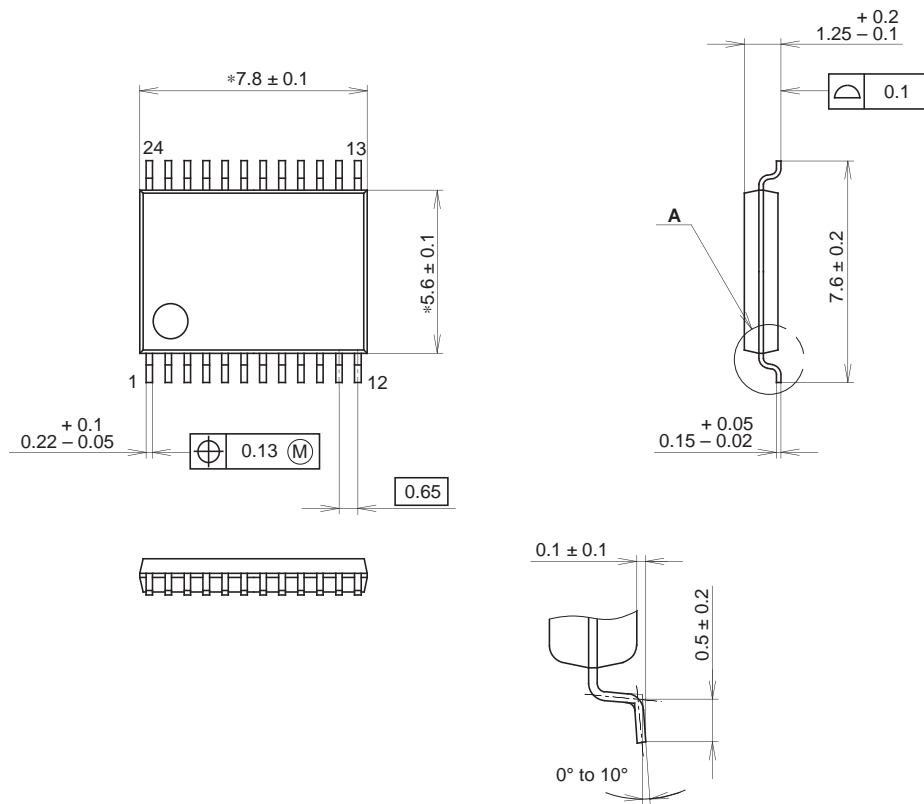
Eye pattern (Retimed data 1.0625Gbps)



Package Outline

Unit: mm

24PIN SSOP(PLASTIC)



DETAIL A

PACKAGE STRUCTURE

SONY CODE	SSOP-24P-L01
EIAJ CODE	SSOP024-P-0056
JEDEC CODE	_____

PACKAGE MATERIAL	EPOXY RESIN
LEAD TREATMENT	SOLDER/PALLADIUM PLATING
LEAD MATERIAL	42/COPPER ALLOY
PACKAGE WEIGHT	0.1g