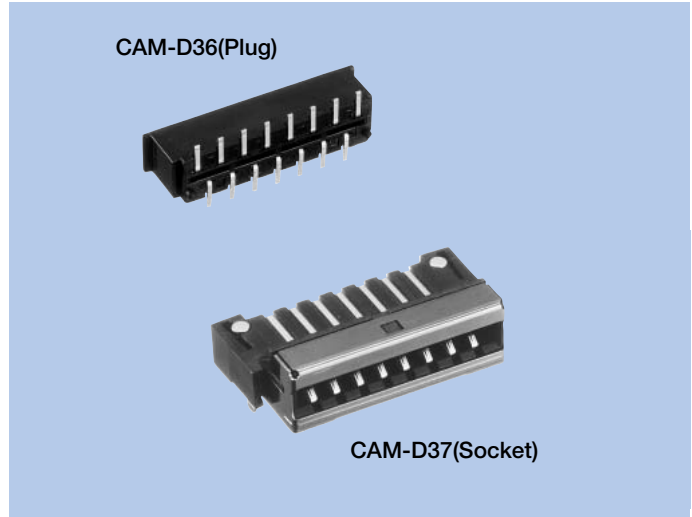


Detach Connectors CAM-D36, D37

FEATURES

1. Due to these connectors, the front panel can be removed or mounted for preventing the car audio from being stolen. They are also suitable for connecting the circuit between various electronic units.
2. These connectors can absorb a fitting play by setting the fitting port size.
3. Since each socket connector can directly be mounted to the main PCB of the set, VA of the set is possible.
A metallic cover is mounted for preventing static electricity.



HOW TO ORDER

1. CAM-D36 (Plug)

D36-015-02 0-A N G A A
1 2 3 4 5 6 7 8 9

- 1 Series No. (D36)
- 2 No. of contacts (015 : 15pins)
- 3 Housing Material (02 : PBT resin)
- 4 UL grade of housing (0 : UL94V-0)
- 5 Contact plating (A : Gold)
- 6 Contact pin plating thickness (N : 0.2μm)
- 7 Contact pin lead profile (G : Angle SMT)
- 8 Attachment on connector fitting side (A : None)
- 9 Attachment on connector PCB side (A : None)

2. CAM-D37 (Socket)

D37-015-02 0-A N B M G
1 2 3 4 5 6 7 8 9

- 1 Series No. (D37)
- 2 No. of contacts (015 : 15pins)
- 3 Housing Material (02 : PBT resin)
- 4 UL grade of housing (0 : UL94V-0)
- 5 Contact plating (A : Gold)
- 6 Contact pin plating thickness (N : 0.2μm)
- 7 Contact pin lead profile (B : Angle)
- 8 Attachment on connector fitting side (M : Shielded case)
- 9 Attachment on connector PCB side (A : Guide pin)

SPECIFICATIONS

ELECTRICAL CHARACTERISTICS

| | |
|-----------------------|-------------------------|
| Rated Voltage | 14V DC |
| Rated Current | 1A |
| Withstanding Voltage | 500V AC (rms) 1minute |
| Insulation Resistance | 100MΩ min. (at 500V DC) |
| Contact Resistance | 70mΩ max. |

MECHANICAL CHARACTERISTICS

| | |
|-------------------------|---------------------|
| Life (Matching Cycle) | 10,000 times |
| Total Insertion Force | 14.7N (1.5kgf) max. |
| Overall Rebound Force | 4.9N (0.5kgf) max. |
| Using Temperature Range | -30~+85°C |

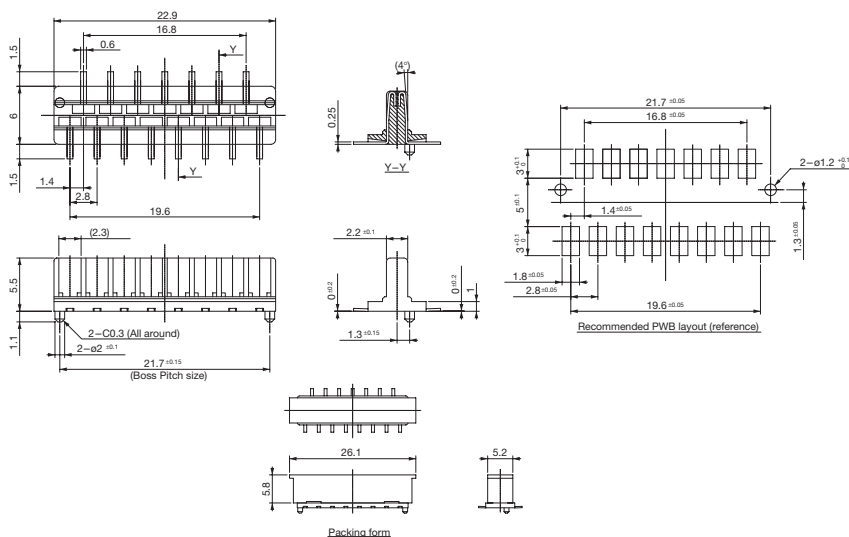
*Contact : 15 pins

MATERIAL & FINISH

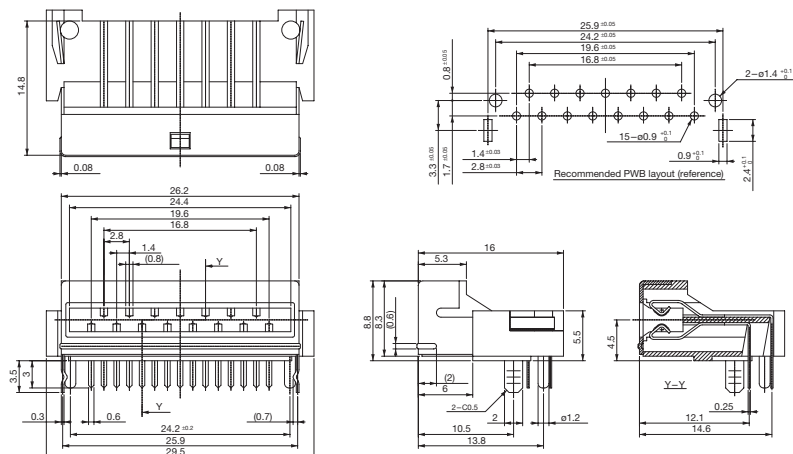
| Component Parts | | Material | Finish |
|-----------------|-----------|------------------------|--------------------|
| CAM-D36 | Housing | Glass filled PBT resin | — |
| | Contact | Copper Alloy | Gold plating |
| | Cap | PC/ASA resin | — |
| CAM-D37 | Housing | Glass filled PBT resin | — |
| | Contact | Copper Alloy | Gold plating |
| | Cover | Copper Alloy | Tin reflow plating |
| | Guide Pin | Copper Alloy | Copper-tin plating |

DIMENSIONS

CAM-D36



CAM-D37



Unit : mm