

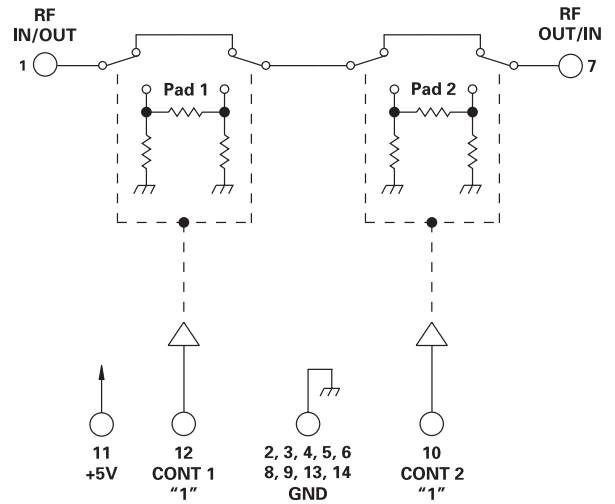
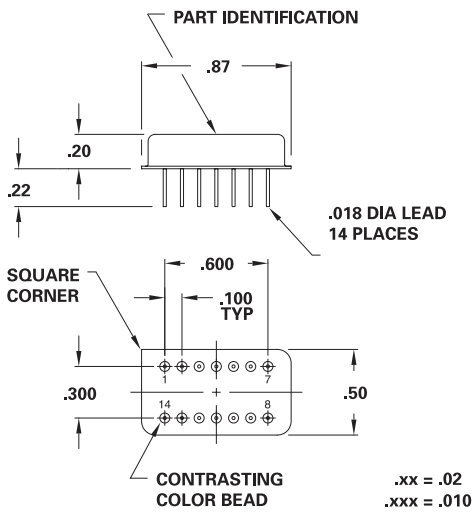
MODEL NUMBER DA0351

PIN Diode 2 Section Attenuator

FEATURES

- 20-250 MHz
- 12 mA, +5 VDC
- +40 dBm 3rd Order Intercept
- +5V CMOS Driver
- Various Steps Available

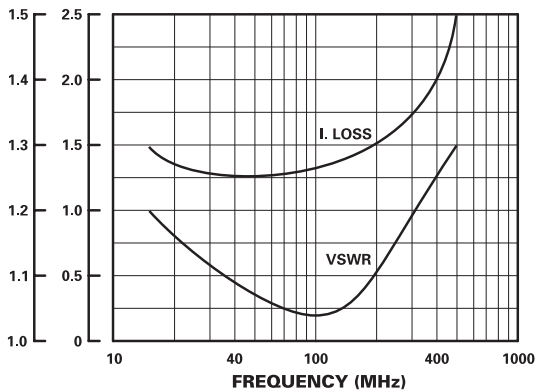
2 BIT



ATTENUATION TABLE

Dash Number	PAD 1	PAD 2
-1	2 dB	4 dB
-2	8 dB	16 dB
-3	1 dB	32 dB

VSWR I.L. (dB) **TYPICAL PERFORMANCE** at 25°C



GUARANTEED PERFORMANCE

Parameter	Min	Typ	Max	Units	Conditions
Operating Frequency	20		250	MHz	
DC Current		12		mA	At +5 VDC Supply
Control Type		CMOS			2 Line Logic "1" = Thru Logic "0" = Attenuation
Control Current	High Low		±1 ±1	µA	V _{IH} = + V V _{IL} = 0 V
Insertion Loss		1.5	2.0	dB	MHz
Attenuation	LSB Accuracy			dB dB	See Attenuation Table ± (0.15 dB +2% of Atten. Setting in dB)
VSWR		1.15/1	1.25/1		
Impedance		50		OHMS	
Switching Speed		3	20	µSec	50% Control To 90% / 10% RF
Switching (Video) Transients		60		mV	Peak Value
Intercept Points	2nd 3rd	+71 +42		dBm dBm	
RF Power	Operate	+11	+10	dBm	0.1 dB Compression
Operating Temperature	-55	+25	+125	°C	TA