



DB101(S) THRU DB107(S)

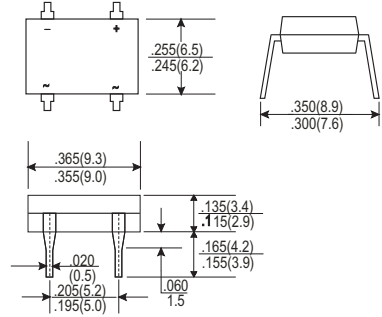
Single Phase 1.0 A Glass Passivated Bridge Rectifiers

Voltage Range 50 to 1000 Volts Current 1.0 Ampere

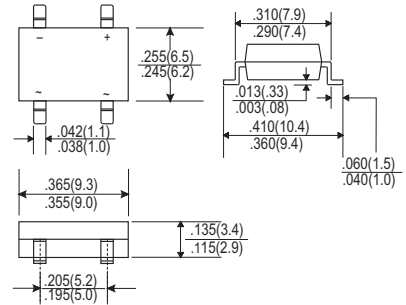
Features

- *UL Recognized File
- * Ideal for printed circuit board
- * Reliable low cost construction utilizing molded plastic technique
- * High temperature soldering guaranteed:
250°C / 10 seconds / 0.375" (9.5mm) lead length at 5lbs.,
(2.3kg) tension
- *Small size, simple installation Leads solderable per
MIL-STD-202, Method 208
- * High surge current capability

DB-1



DBS



Maximum Ratings and Electrical Characteristics

Rating at 25°C ambient temperature unless otherwise specified. Single phase, half wave, 60 Hz, resistive or inductive load. For capacitive load, derate current by 20%

Type Number	DB 101(S)	DB 102(S)	DB 103(S)	DB 104(S)	DB 105(S)	DB 106(S)	DB 107(S)	Units
Maximum Recurrent Peak Reverse Voltage	50	100	200	400	600	800	1000	V
Maximum RMS Voltage	35	70	140	280	420	560	700	V
Maximum DC Blocking Voltage	50	100	200	400	600	800	1000	V
Maximum Average Forward Rectified Current @ T _A =40°C	1.0							A
Peak Forward Surge Current, 8.3 ms Single Half Sine-wave Superimposed on Rated Load (JEDEC method)	50							A
Maximum Instantaneous Forward Voltage @ 1.0A	1.1							V
Maximum DC Reverse Current @ T _A =25°C At Rated DC Blocking Voltage @ T _A =125°C	10							uA
	500							uA
Operating Temperature Range T _J	-55 to +125							°C
Storage Temperature Range T _{STG}	-55 to +125							°C

[Http://www.upm.com.tw](http://www.upm.com.tw)

E-mail: upm.tw@msa.hinet.net



DB101(S) THRU DB107(S)

Single Phase 1.0 A Glass Passivated Bridge Rectifiers

Voltage Range 50 to 1000 Volts

Current 1.0 Ampere

RATINGS AND CHARACTERISTIC CURVES (DB101(S) THRU DB107(S))

