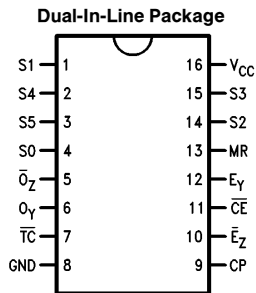


5497/DM7497 Synchronous Modulo-64 Bit Rate Multiplier

General Description

The '97 contains a synchronous 6-stage binary counter and six decoding gates that serve to gate the clock through to the output at a sub-multiple of the input frequency. The output pulse rate, relative to the clock frequency, is determined by signals applied to the Select (S0-S5) inputs. Both true and complement outputs are available, along with an enable input for each. A Count Enable input and a Terminal Count output are provided for cascading two or more packages. An asynchronous Master Reset input prevents counting and resets the counter.

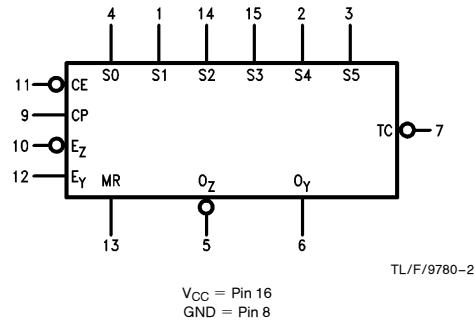
Connection Diagram



TL/F/9780-1

Order Number 5497DMQB, 5497FMQB or DM7497N
See NS Package Number J16A, N16E or W16A

Logic Symbol



Pin Names	Description
S0-S5	Rate Select Inputs
\bar{E}_Z	\bar{O}_Z Enable Input (Active LOW)
E_Y	O_Y Enable Input
$\bar{C}E$	Count Enable Input (Active LOW)
CP	Clock Pulse Input (Active Rising Edge)
MR	Asynchronous Master Reset Input (Active HIGH)
\bar{O}_Z	Gated Clock Output (Active LOW)
O_Y	Complement Output (Active HIGH)
$\bar{T}C$	Terminal Count Output (Active LOW)

Absolute Maximum Ratings (Note)

If Military/Aerospace specified devices are required, please contact the National Semiconductor Sales Office/Distributors for availability and specifications.

Supply Voltage	7V
Input Voltage	5.5V
Operating Free Air Temperature Range	
54	−55°C to +125°C
DM74	0°C to +70°C
Storage Temperature Range	−65°C to +150°C

Note: The "Absolute Maximum Ratings" are those values beyond which the safety of the device cannot be guaranteed. The device should not be operated at these limits. The parametric values defined in the "Electrical Characteristics" table are not guaranteed at the absolute maximum ratings. The "Recommended Operating Conditions" table will define the conditions for actual device operation.

Recommended Operating Conditions

Symbol	Parameter	5497			DM7497			Units
		Min	Nom	Max	Min	Nom	Max	
V _{CC}	Supply Voltage	4.5	5	5.5	4.75	5	5.25	V
V _{IH}	High Level Input Voltage	2			2			V
V _{IL}	Low Level Input Voltage			0.8			0.8	V
I _{OH}	High Level Output Current			−0.4			−0.4	mA
I _{OL}	Low Level Output Current			16			16	mA
T _A	Free Air Operating Temperature	−55		125	0		70	°C
t _{s(L)}	Setup Time LOW, \overline{CE} to CP Rising	25			25			ns
t _{h(H)}	Hold Time HIGH, \overline{CE} to CP Rising	0			0			ns
t _{h(L)}	Hold Time LOW, \overline{CE} to CP Falling	0			0			ns
t _{w(H)}	CP Pulse Width HIGH	20			20			ns
t _{w(L)}	CP Pulse Width LOW	20						ns
t _{w(H)}	MR Pulse Width HIGH	15			15			ns

Electrical Characteristics

Over recommended operating free air temperature range (unless otherwise noted)

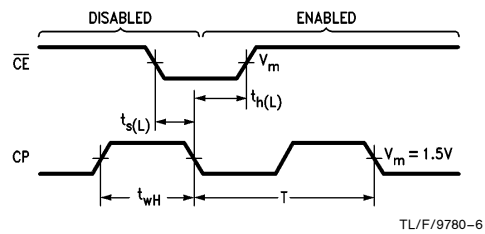
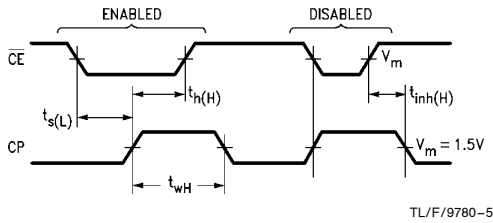
Symbol	Parameter	Conditions	Min	Typ (Note 1)	Max	Units
V _I	Input Clamp Voltage	V _{CC} = Min, I _I = −12 mA			−1.5	V
V _{OH}	High Level Output Voltage	V _{CC} = Min, I _{OH} = Max, V _{IL} = Max	2.4	3.4		V
V _{OL}	Low Level Output Voltage	V _{CC} = Min, I _{OL} = Max, V _{IH} = Min		0.2	0.4	V
I _I	Input Current @ Max Input Voltage	V _{CC} = Max, V _I = 5.5V			1	mA
I _{IH}	High Level Input Current	V _{CC} = Max, V _I = 2.4V Clock Inputs	DM74		40	μA
			54		80	
I _{IL}	Low Level Input Current	V _{CC} = Max, V _I = 0.4V Clock Inputs	DM74		−1.6	mA
			54		−3.2	
I _{OS}	Short Circuit Output Current	V _{CC} = Max (Note 2)	54	−20	−55	mA
			DM74	−18	−55	
I _{CC}	Supply Current With Outputs High	V _{CC} = Max			120	mA

Switching Characteristics

$V_{CC} = +5.0V$, $T_A = +25^\circ C$ (See Section 1 for waveforms and load configurations)

Symbol	Parameter	5497		DM7497		Units
		$C_L = 15\text{ pF}$ $R_L = 400\Omega$		$C_L = 15\text{ pF}$ $R_L = 400\Omega$		
		Min	Max	Min	Max	
f_{max}	Maximum Clock Frequency	25		25		MHz
t_{PLH} t_{PHL}	Propagation Delay \overline{E}_Z to \overline{O}_Z		18 23		18 23	ns
t_{PLH} t_{PHL}	Propagation Delay \overline{E}_Z to O_Y		30 33		30 33	ns
t_{PLH} t_{PHL}	Propagation Delay E_Y to O_Y		14 10		14 10	ns
t_{PLH} t_{PHL}	Propagation Delay S_n to O_Y		23 23		23 23	ns
t_{PLH} t_{PHL}	Propagation Delay S_n to \overline{O}_Z		14 14		14 14	ns
t_{PLH} t_{PHL}	Propagation Delay CP to O_Y		39 30		39 30	ns
t_{PLH} t_{PHL}	Propagation Delay CP to O_Z		18 26		18 26	ns
t_{PLH} t_{PHL}	Propagation Delay CP to \overline{TC}		35 33		30 33	ns
t_{PLH} t_{PHL}	Propagation Delay \overline{CE} to \overline{TC}		25 21		20 21	ns
t_{PLH}	Propagation Delay MR to O_Y		43		36	ns
t_{PHL}	Propagation Delay MR to \overline{O}_Z		34		23	ns

Timing Diagrams



Functional Description

The '97 contains six JK flip-flops connected as a synchronous modulo-64 binary counter. A LOW signal on the Count Enable (\overline{CE}) input permits counting, with all state changes initiated simultaneously by the rising edge of the clock. When the count reaches maximum (63), with all Qs HIGH, the Terminal Count (\overline{TC}) output will be LOW if \overline{CE} is LOW. A HIGH signal on Master Reset (MR) resets the flip-flops and prevents counting, although output pulses can still occur if the clock is running, \overline{E}_Z is LOW and S5 is HIGH.

The flip-flop outputs are decoded by a 6-wide AND-OR-INVERT gate. Each AND gate also contains the buffered and inverted CP and Z-enable (\overline{E}_Z) functions, as well as one of the Select (S0–S5) inputs. The Z output, O_Z is normally HIGH and goes LOW when CP and \overline{E}_Z are LOW and any of the AND gates has its other inputs HIGH. The AND gates are enabled by the counter at different times and different rates relative to the clock. For example, the gate to which S5 is connected is enabled during every other clock period, assuming S5 is HIGH. Thus, during one complete cycle of the counter (64 clocks) the S5 gate is enabled 32 times and can therefore gate 32 clocks per cycle to the output. The S4 gate is enabled 16 times per cycle, the S3 gate 8 times per cycle, etc. The output pulse rate thus depends on the clock rate and which of the S0–S5 inputs is HIGH.

$$f_{out} = \frac{m}{64} \cdot f_{in}$$

Where: $m = S5 \cdot 2^5 + S4 \cdot 2^4 + S3 \cdot 2^3 + S2 \cdot 2^2 + S1 \cdot 2^1 + S0 \cdot 2^0$

Thus by appropriate choice of signals applied to the S0–S5 inputs, the output pulse rate can range from $\frac{1}{64}$ to $\frac{63}{64}$ of the clock rate, as suggested in Rate Select Table. There is no output pulse when the counter is in the “all ones” condition. When m is 1, 2, 4, 8, 16 or 32, the output pulses are evenly spaced, assuming that the clock frequency is constant. For any other value of m the output pulses are not evenly spaced, since the pulse train is formed by interleav-

ing pulses passed by two or more of the AND gates. The Pulse Pattern Table indicates the output pattern for several values of m. In each row, a one means that the \overline{O}_Z output will be HIGH during that entire clock period, while a zero means that \overline{O}_Z will be LOW when the clock is LOW in that period. The first column in the output field coincides with the “all zeroes” condition of the counter, while the last column represents the “all ones” condition. The pulse pattern for any particular value of m can be deduced by factoring it into the sum of appropriate powers of two (e.g. $19 = 16 + 2 + 1$) and combining the pulses (i.e., the zeroes) shown for each for the relevant powers of two (e.g. for $m = 16, 2$ and 1).

The Y output O_Y is the complement of \overline{O}_Z and is thus normally LOW. A LOW signal on the Y-enable input, E_Y , disables O_Y . To expand the multiplier to 12-bit rate select, two packages can be cascaded as shown in Figure A. Both circuits operate from the basic clock, with the TC output of the first acting to enable both counting and the output pulses of the second package. Thus the second counter advances at only $\frac{1}{64}$ the rate of the first and a full cycle of the two counters combined requires 4096 clocks. Each rate select input of the first package has 64 times the weight of its counterpart in the second package.

$$f_{out} = \frac{m_1 + m_2}{64 \cdot 64} \cdot f_{in}$$

Where: $m_1 = S5 \cdot 2^{11} + S4 \cdot 2^{10} + S3 \cdot 2^9 + S2 \cdot 2^8 + S1 \cdot 2^7 + S0 \cdot 2^6$ (first package)

$m_2 = S5 \cdot 2^5 + S4 \cdot 2^4 + S3 \cdot 2^3 + S2 \cdot 2^2 + S1 \cdot 2^1 + S0 \cdot 2^0$ (second package)

Combined output pulses are obtained in Figure A by letting the Z output of the first circuit act as the Y-enable function for the second, with the interleaved pulses obtained from the Y output of the second package being opposite in phase to the clock.

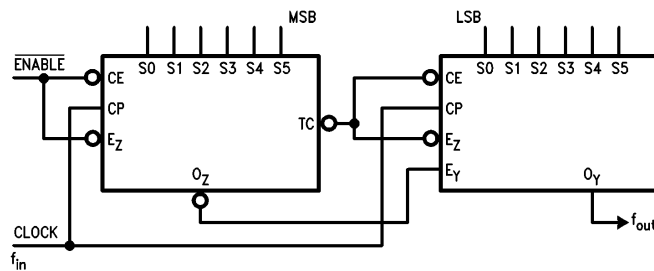


FIGURE A. Cascading for 12-Bit Rate Select

TL/F/9780-3

Functional Description (Continued)

Mode and Rate Select Table (Note 1)

Inputs									Clock Pulses	Outputs				Notes
MR	\overline{CE}	\overline{Ez}	S5	S4	S3	S2	S1	S0		E_Y	O_Y	O_Z	\overline{TC}	
H	X	H	X	X	X	X	X	X	X	H	L	H	H	2
L	L	L	L	L	L	L	L	L	64	H	L	H	1	3
L	L	L	L	L	L	L	L	H	64	H	1	1	1	3
L	L	L	L	L	L	L	H	L	64	H	2	2	1	3
L	L	L	L	L	L	H	L	L	64	H	4	4	1	3
L	L	L	L	L	H	L	L	L	64	H	8	8	1	3
L	L	L	L	H	L	L	L	L	64	H	16	16	1	3
L	L	L	H	L	L	L	L	L	64	H	32	32	1	3
L	L	L	H	H	H	H	H	H	64	H	63	62	1	3
L	L	L	H	H	H	H	H	H	64	L	H	63	1	4
L	L	L	H	L	L	L	L	L	64	H	40	40	1	5

H = HIGH Voltage Level

L = LOW Voltage Level

X = Immaterial

Note 1: Numerals indicate number of pulses per cycle.

Note 2: This is a simplified illustration of the clear function. CP and \overline{Ez} also affect the logic level of O_Y and \overline{Oz} . A LOW signal on E_Y will cause O_Y to remain HIGH.

Note 3: Each rate illustrated assumes S0–S5 are constant throughout the cycle; however, these illustrations in no way prohibit variable-rate operation.

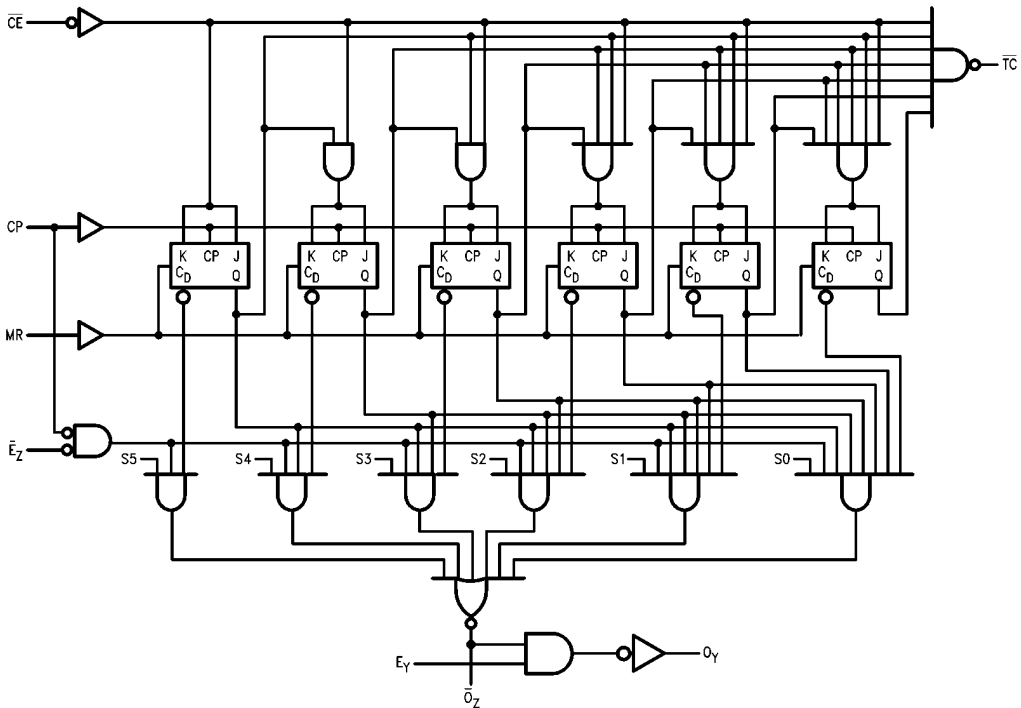
Note 4: E_Y is used to inhibit output Y.

Note 5: $f_{out} = m \cdot \frac{f_{in}}{64} = \frac{(32 + 8) f_{in}}{64} = \frac{40 f_{in}}{64} = 0.625 f_{in}$

Pulse Pattern Table

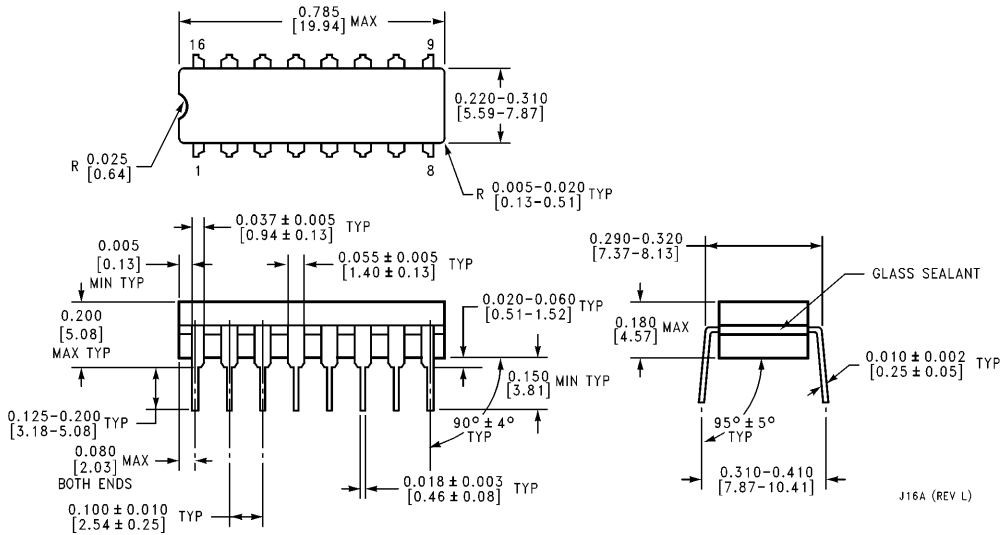
m	Output Pulse Pattern at \overline{Oz}
1	11111111111111111111111111111111011111111111111111111111111111111
2	111111111111111110111
3	111111111111111110111
4	11111110111111111111111110111111111111111111111111111111111111111
5	11111110111111111111111110111111111111111111111111111111111111111
6	111111101111111110111
8	111011111111101111111110111
10	111011111111101111111110111
12	111011101111101111111110111
14	111011101111101111111110111
16	10111011101110111011101110111011101110111011101110111011101110111
20	101110101011101110111010101110111011101010111010111011101110111
24	10101011101010111010101110101011101010111110101110101011101010111
28	10101010101010111010101010101110101010101010111010101010101010111
32	010101... 010101

Logic Diagram

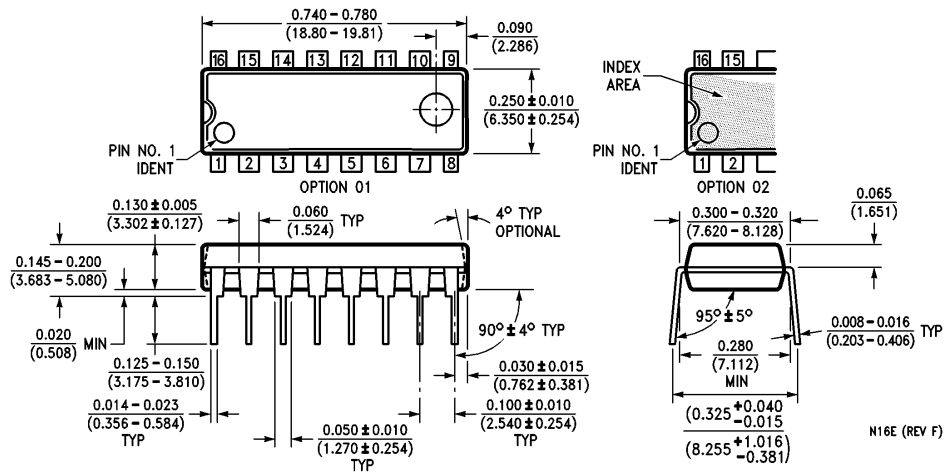


TL/F/9780-4

Physical Dimensions inches (millimeters)

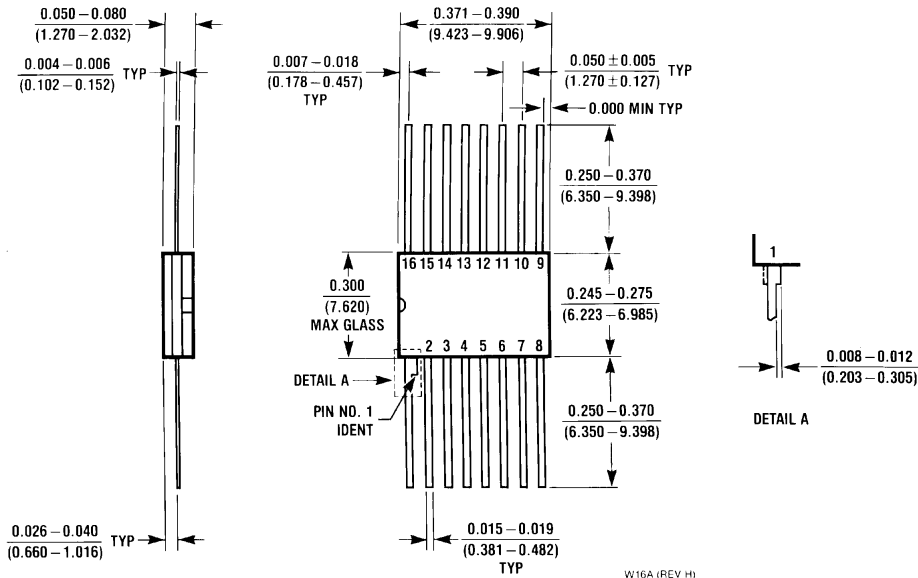


16-Lead Ceramic Dual-In-Line Package (J)
Order Number 5497DMQB
NS Package Number J16A



16-Lead Molded Dual-In-Line Package (N)
Order Number DM7497N
NS Package Number N16E

Physical Dimensions inches (millimeters) (Continued)



16-Lead Ceramic Flat Package (W)
Order Number 5497FMQB
NS Package Number W16A

LIFE SUPPORT POLICY

NATIONAL'S PRODUCTS ARE NOT AUTHORIZED FOR USE AS CRITICAL COMPONENTS IN LIFE SUPPORT DEVICES OR SYSTEMS WITHOUT THE EXPRESS WRITTEN APPROVAL OF THE PRESIDENT OF NATIONAL SEMICONDUCTOR CORPORATION. As used herein:

1. Life support devices or systems are devices or systems which, (a) are intended for surgical implant into the body, or (b) support or sustain life, and whose failure to perform, when properly used in accordance with instructions for use provided in the labeling, can be reasonably expected to result in a significant injury to the user.
2. A critical component is any component of a life support device or system whose failure to perform can be reasonably expected to cause the failure of the life support device or system, or to affect its safety or effectiveness.



National Semiconductor Corporation
 1111 West Bardin Road
 Arlington, TX 76017
 Tel: 1(800) 272-9959
 Fax: 1(800) 737-7018

National Semiconductor Europe
 Fax: (+49) 0-180-530 85 86
 Email: onjwge@tevm2.nsc.com
 Deutsch Tel: (+49) 0-180-530 85 85
 English Tel: (+49) 0-180-532 78 32
 Français Tel: (+49) 0-180-532 93 58
 Italiano Tel: (+49) 0-180-534 16 80

National Semiconductor Hong Kong Ltd.
 13th Floor, Straight Block,
 Ocean Centre, 5 Canton Rd.
 Tsimshatsui, Kowloon
 Hong Kong
 Tel: (852) 2737-1600
 Fax: (852) 2736-9960

National Semiconductor Japan Ltd.
 Tel: 81-043-299-2309
 Fax: 81-043-299-2408

National does not assume any responsibility for use of any circuitry described, no circuit patent licenses are implied and National reserves the right at any time without notice to change said circuitry and specifications.