



Series DO, DMO

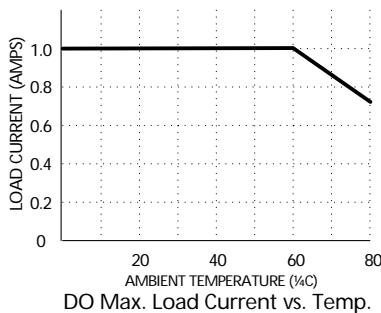
1-3.0 Amp • 60 Vdc • DC Output MINI-SIP

- Compact for High Density PCB Mount
- DC Control, DC Output
- Bipolar (DO) or MOSFET (DMO) Output
- 3-10 Vdc Logic Compatible Input
- Crydom's Patented Design

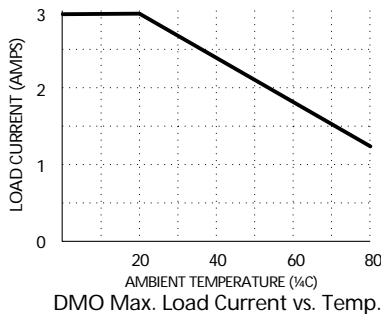
SPST-NO DC output relays in epoxy-coated packages utilize the popular .10" grid lead spacing. They are available with either bipolar transistor output (DO), or the DMO063 with MOSFET output rated at 3A/60 VDC.

Manufactured in Crydom's ISO 9002 Certified facility for optimum product performance and reliability.

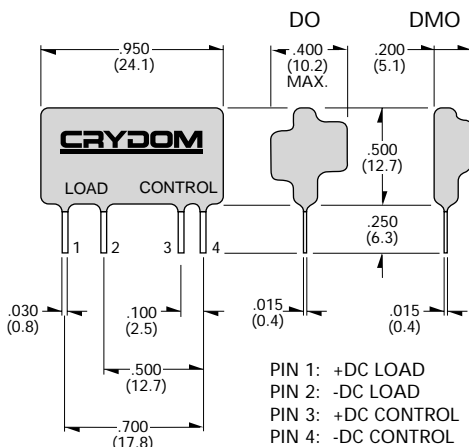
CURRENT DERATING CURVES



DO Max. Load Current vs. Temp.



DMO Max. Load Current vs. Temp.



	MODEL NO.	DO061A ^④	DO061B ^④	DMO063 ^④
INPUT SPECIFICATIONS ①				
Control Voltage Range		3.0-9.0 Vdc	1.7-9.0 Vdc	3.0-10.0 Vdc
Nominal Input Impedance		270 Ohm	270 Ohm	200 Ohm
Typical Input Current @ 5 Vdc		15 mA _{dc}	15 mA _{dc}	20 mA _{dc}
Must Turn On Voltage		3.0 Vdc	1.7 Vdc	3.0 Vdc
Must Turn Off Voltage		1.0 Vdc	0.8 Vdc	1.0 Vdc

OUTPUT SPECIFICATIONS ①				
Operating Voltage Range		3-60 Vdc	3-60 Vdc	0-60 Vdc
Load Current Range		.02-1.0 Adc		0-3.0 Adc
Max. Surge Current		5.0 Adc (1 Sec)		12.0 Adc(10 ms)
Max. Off-State Leakage @ Rated Voltage		200 µA _{dc}		100 µA _{dc}
Max. On-State Voltage Drop @ Rated Current		1.5 Vdc		0.4 Vdc ②
Max. Turn-On Time		50 µsec	50 µsec	50 µsec
Max. Turn-Off Time		50 µsec	150 µsec	300 µsec

GENERAL SPECIFICATIONS				
Dielectric Strength ③		4000 Vrms		2500 Vrms
Insulation Resistance (Min.) @ 500 Vdc ③		10 ⁹ Ohm		10 ⁹ Ohm
Max. Capacitance (Input/Output)		8.0 pF		8.0 pF
Ambient Operating Temperature Range		-30 to 80°C		-30 to 80°C
Ambient Storage Temperature Range		-30 to 125°C		-30 to 125°C

MECHANICAL SPECIFICATIONS				
Weight: (typical)		0.15 oz. (4.3 g)		
Encapsulation:		Thermally Conductive Epoxy		

GENERAL NOTES ©2002 CRYDOM CORP, Specifications subject to change without notice.

- ① All parameters at 25°C unless otherwise specified.
- ② Typical On-State Resistance = .13|
- ③ Dielectric and insulation resistance are measured between input and output.
- ④ Inductive loads should be diode suppressed.

For recommended applications and more information contact:

USA: Sales Support (877) 502-5500 Tech Support (877) 702-7700 FAX (619) 710-8540
Crydom Corp, 2320 Paseo de las Americas, Ste. 201, San Diego, CA 92154

Email: sales@crydom.com WEB SITE: http://www.crydom.com

UK: +44 (0)1202 365070 • FAX +44 (0)1202 365090 Crydom International Ltd., 7 Cobham Road, Ferndown Industrial Estate, Ferndown, Dorset BH21 7PE, Email: intsales@crydom.com.

GERMANY: +49 (0)180 3000 506

